

CWS ARCHITECTS  
ARCHITECTURE | INTERIOR DESIGN  
264 US ROUTE ONE  
BOX 6, SUITE 100-2A  
SCARBOROUGH, MAINE 04074  
T: 207-774-4441  
WWW.CWSARCH.COM

DESIGNER

OWNER  
FAIRPOINT COMMUNICATIONS

PROJECT  
5 DAVIS FARM ROAD MERGER

DRAWING  
INTERIOR ELEVATIONS

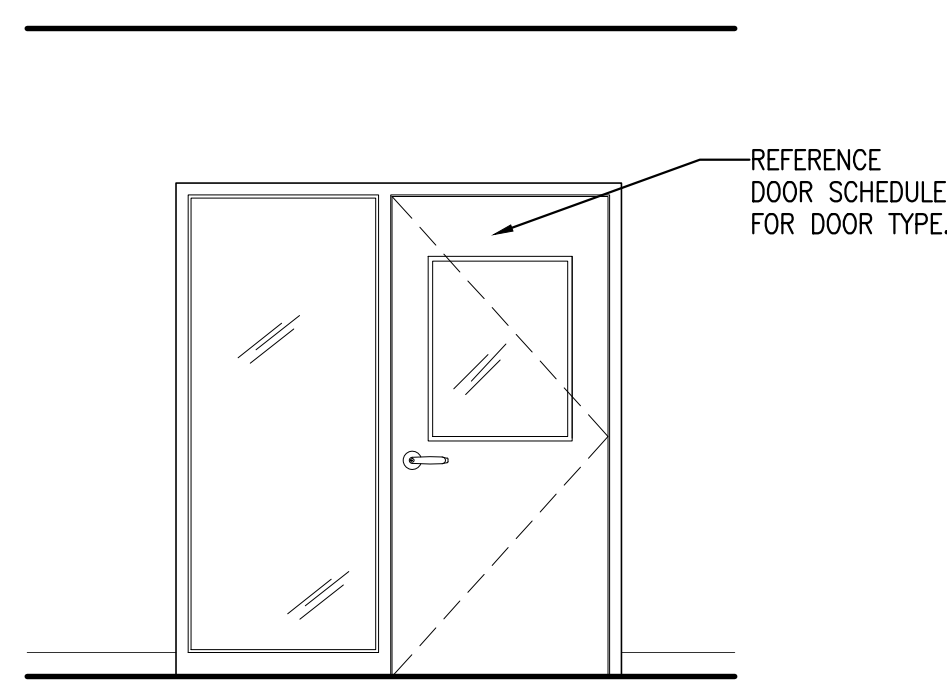
REVISIONS

DRAWING NUMBER

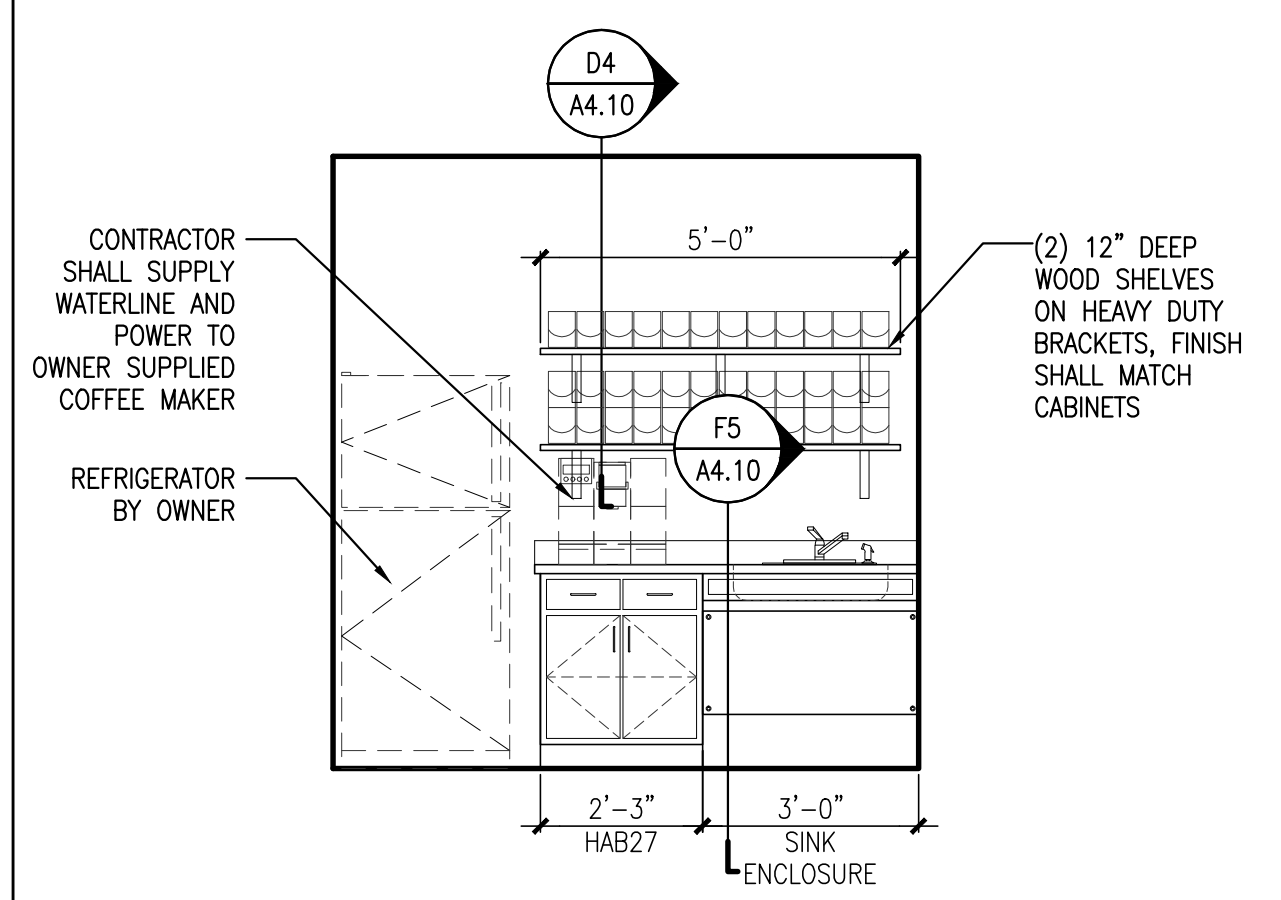
**A4.03**

SCALE: AS NOTED  
DATE: 1-2-2018

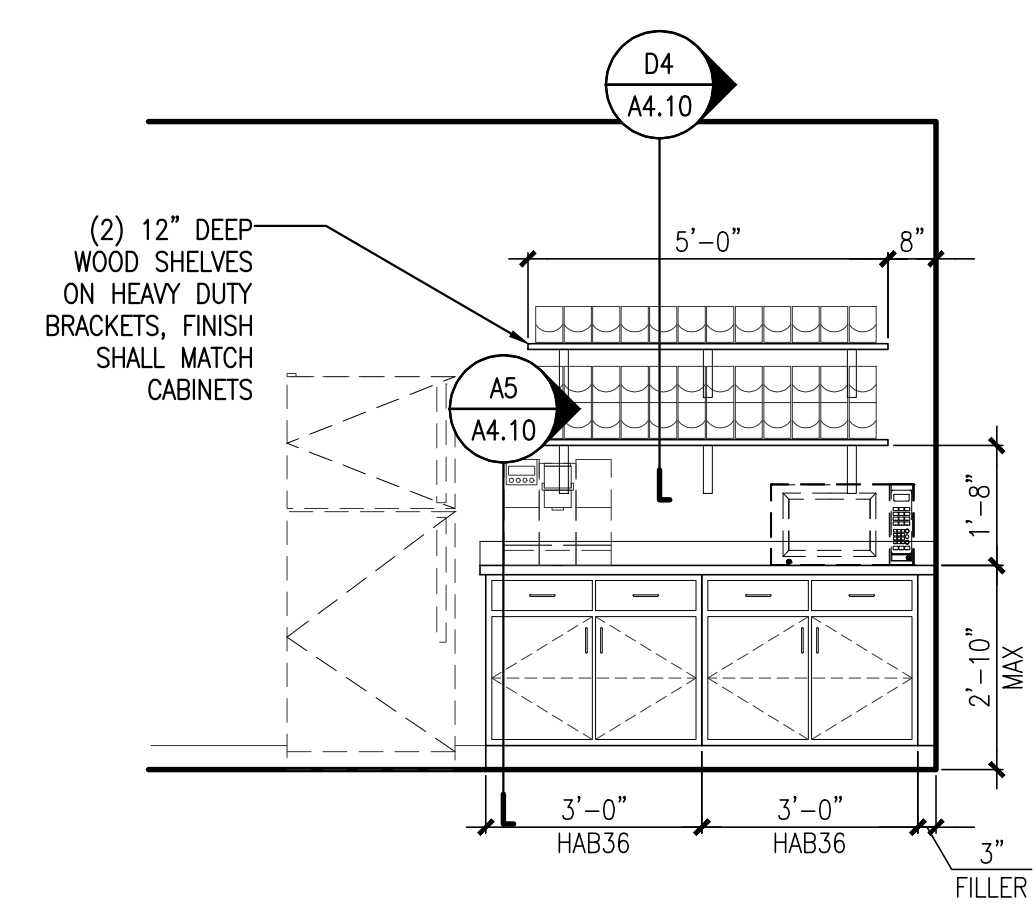
ISSUED FOR PERMITTING



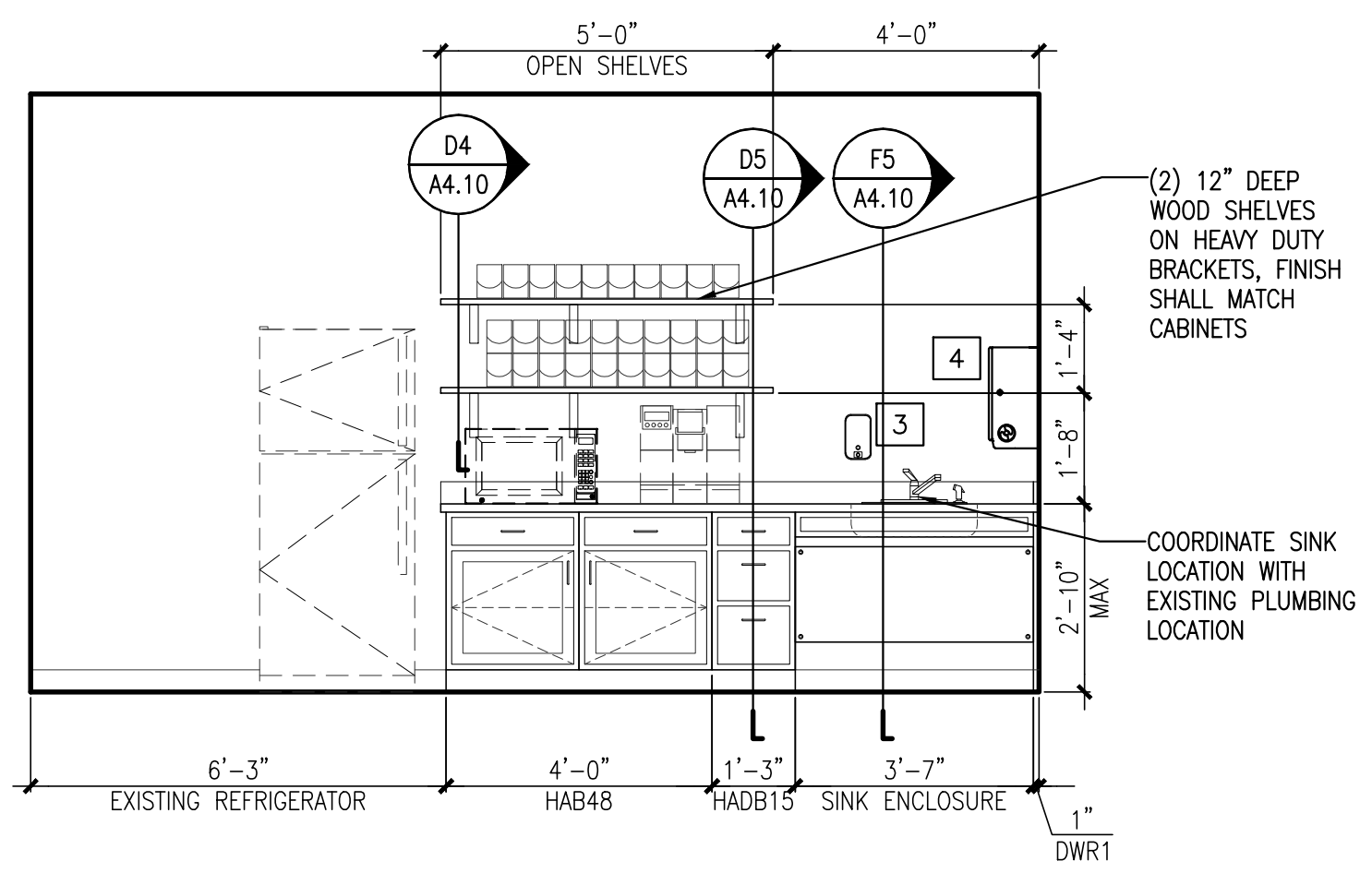
**A2** TYPICAL OFFICE DOOR AND SIDELIGHT ELEVATION  
REFERENCED FROM: F2/A4.02 SCALE: 3/8"=1'-0"



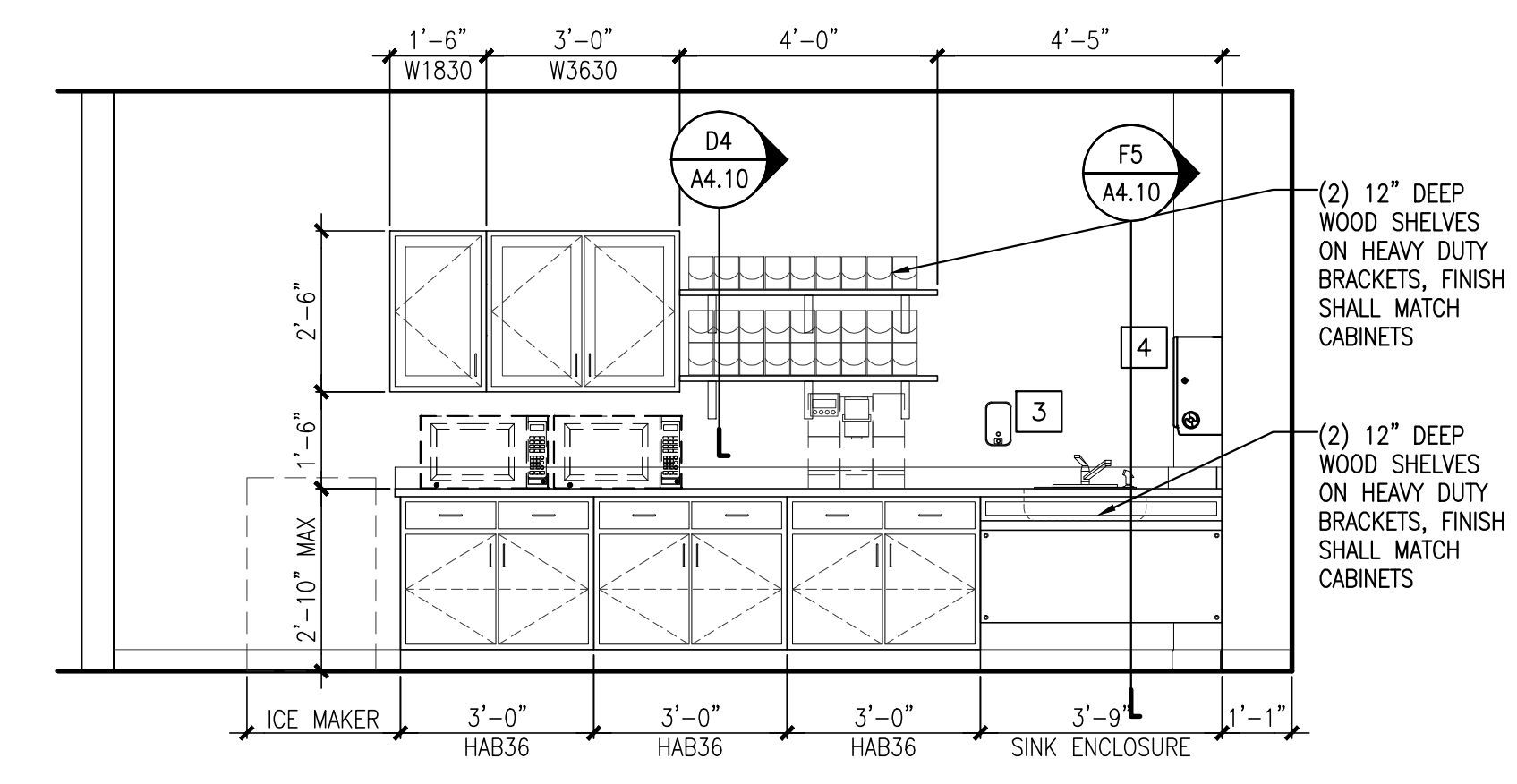
**E2** COFFEE 260 CABINERY  
REFERENCED FROM: A5/A1.02 SCALE: 3/8"=1'-0"



**G4** LOUNGE 139 CABINERY, LOUNGE 239 REV.  
REFERENCED FROM: A5/A1.01, A5/A1.02 SCALE: 3/8"=1'-0"



**D5** LOUNGE 111 CABINERY ELEVATIONS  
REFERENCED FROM: A5/A1.01 SCALE: 3/8"=1'-0"



**F5** STAFF BREAKROOM 039 CABINET ELEVATIONS  
REFERENCED FROM: A5/A1.00 SCALE: 3/8"=1'-0"

**A4** NOT USED  
REFERENCED FROM: SCALE: 3/8"=1'-0"

**C4** NOT USED  
REFERENCED FROM: NOT USED SCALE: 3/8"=1'-0"

**E4** NOT USED  
REFERENCED FROM: SCALE: 3/8"=1'-0"

**A5** NOT USED  
REFERENCED FROM: SCALE: 3/8"=1'-0"

