

CWS ARCHITECTS
ARCHITECTURE | INTERIOR DESIGN
264 US ROUTE ONE
BOX 6, SUITE 100-2A
SCARBOROUGH, MAINE 04074
T: 207.774.4441
WWW.CWSARCH.COM

DESIGNER

OWNER

PROJECT

DRAWING

REVISIONS

FAIRPOINT COMMUNICATIONS

5 DAVIS FARM ROAD
MERGER

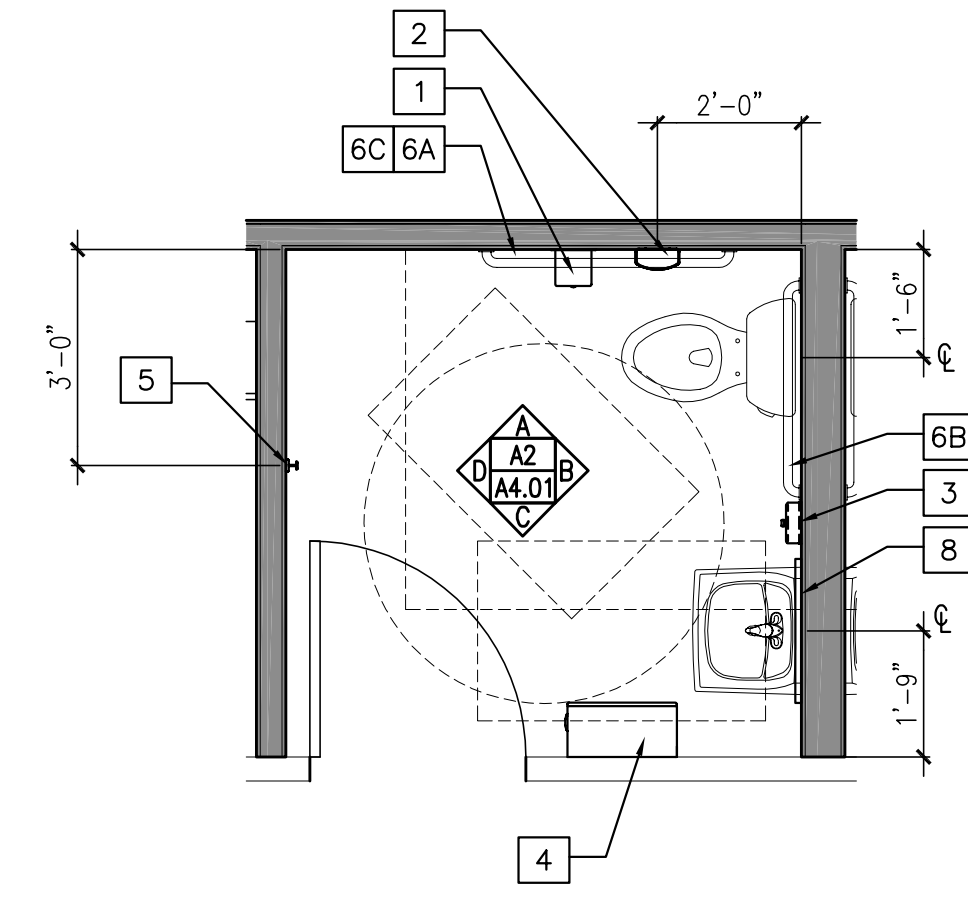
ENLARGED TOILET RM.
PLANS, INTERIOR ELEVS,
AND ACCESSORIES LEGEND

NO.	DESCRIPTION

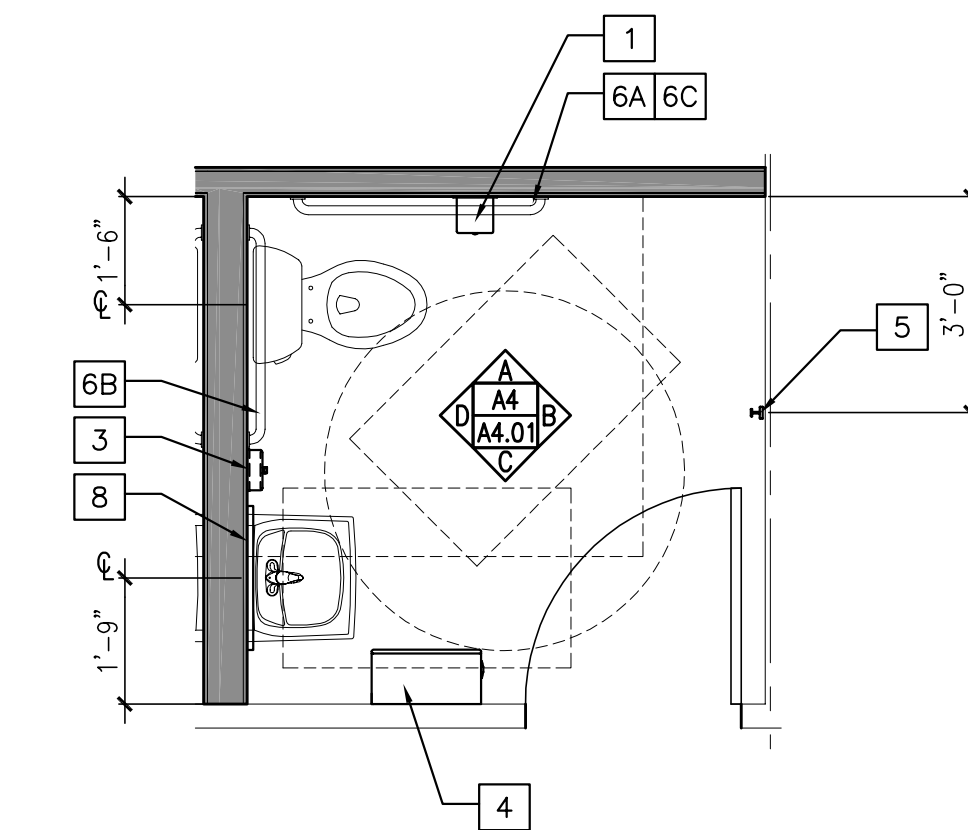
DRAWING NUMBER
A4.01

SCALE: AS NOTED
DATE: 1-2-2018

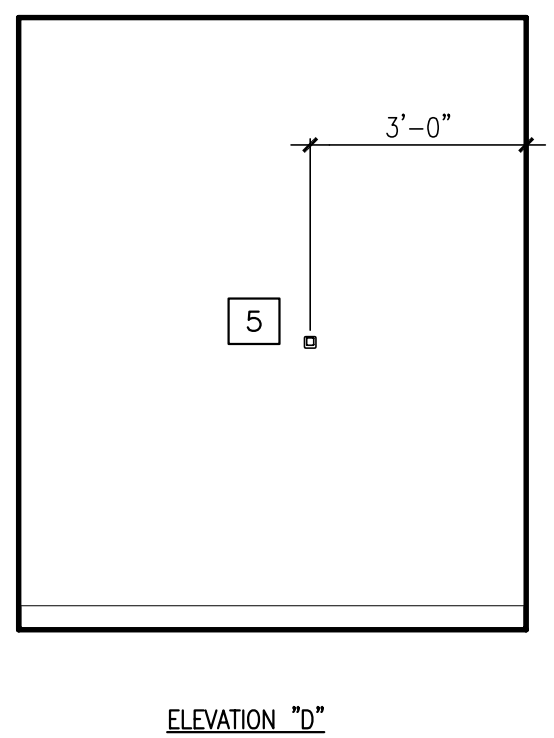
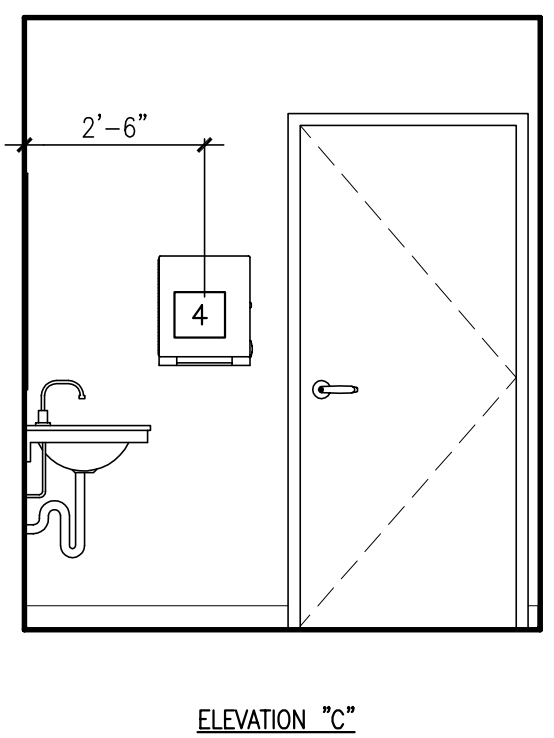
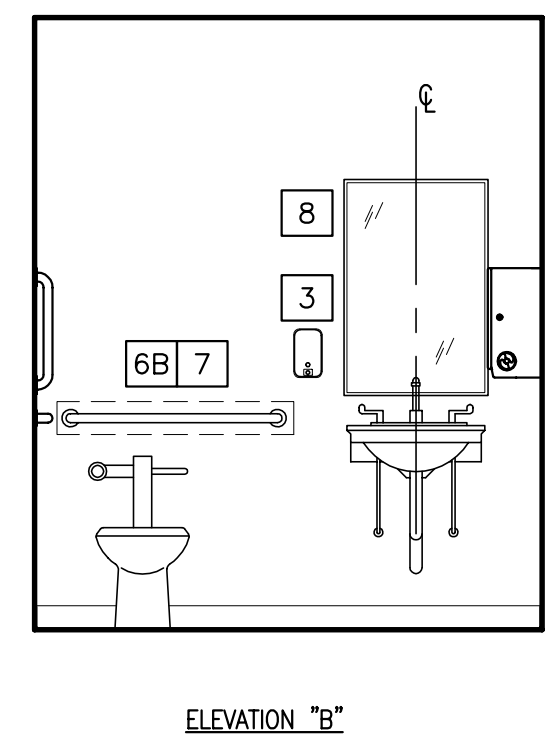
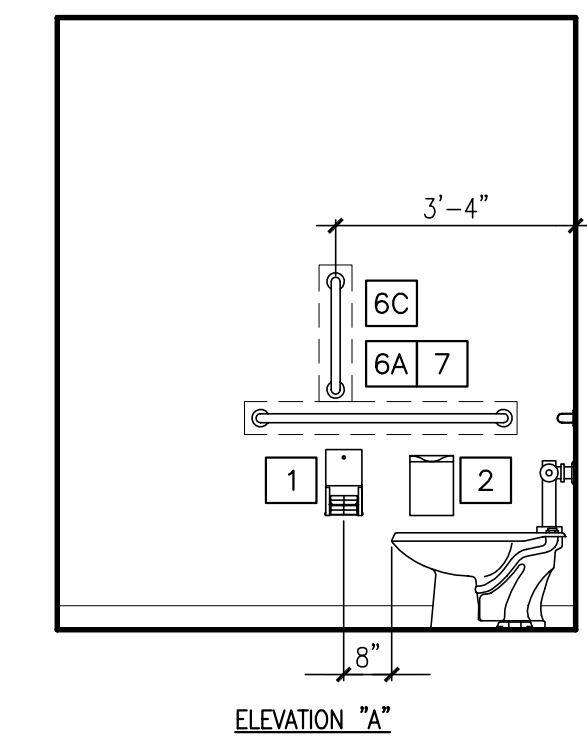
ISSUED FOR PERMITTING



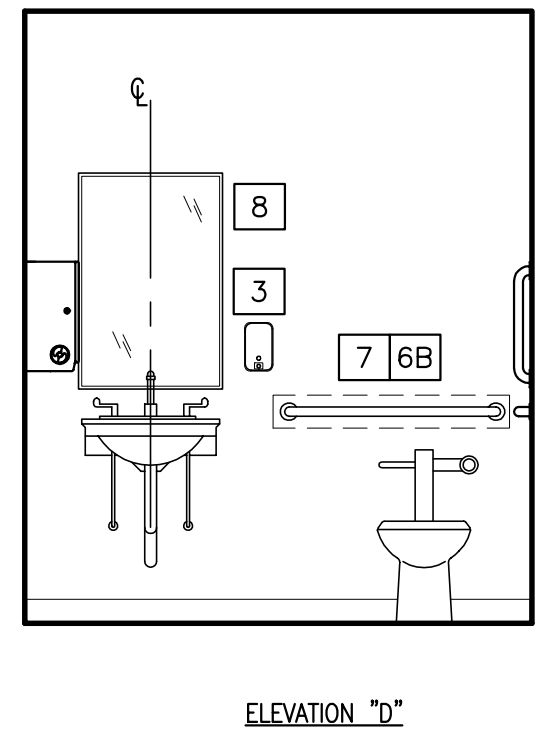
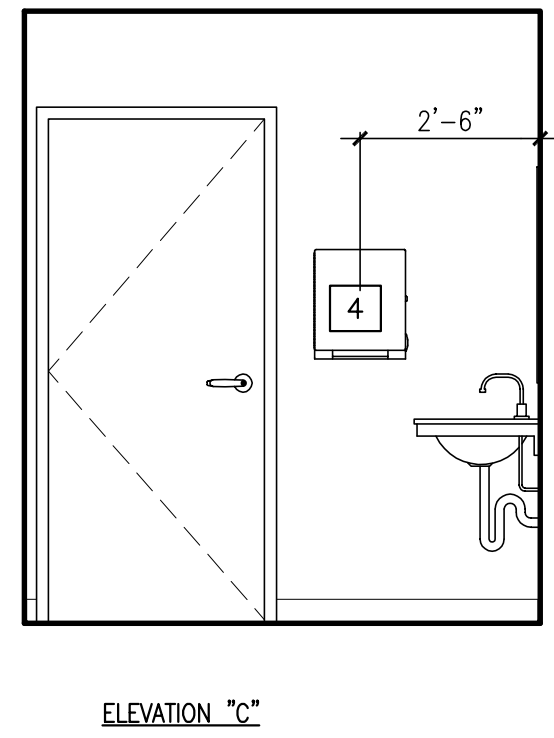
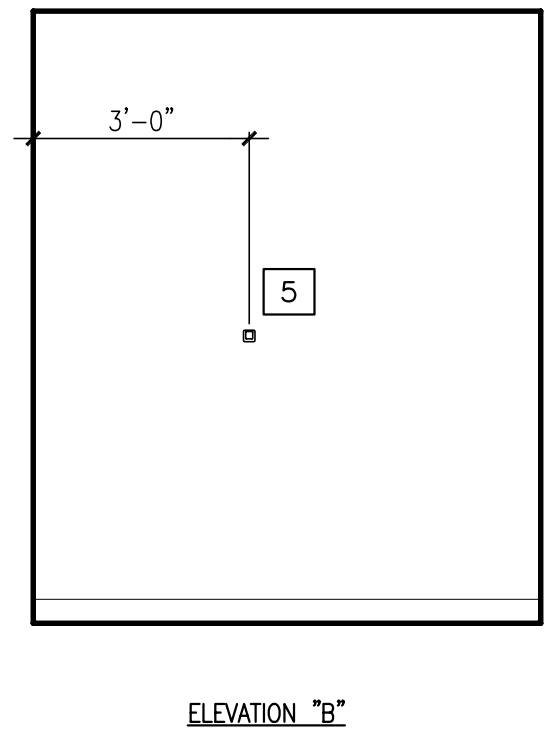
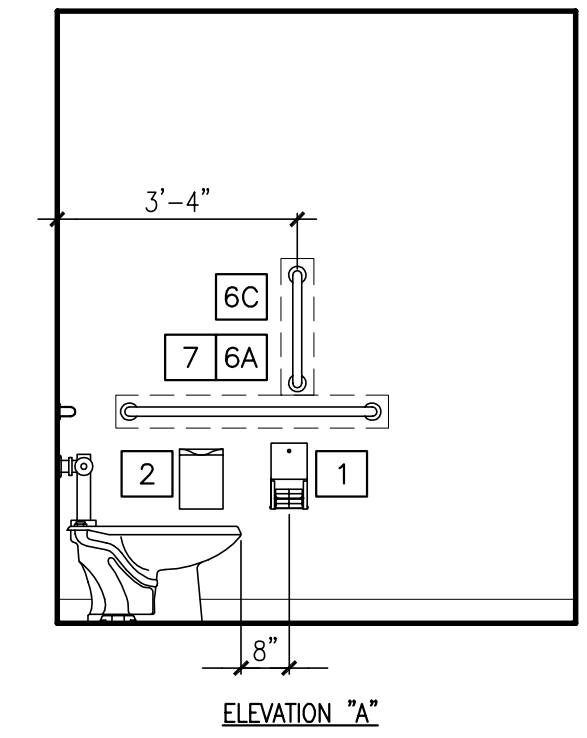
F2 ENLARGED PLAN @ TOILET ROOM 206
REFERENCED FROM: A5/A1.00 SCALE: 3/8" = 1'-0"



F4 ENLARGED PLAN @ TOILET ROOM 207
REFERENCED FROM: A5/A1.00 SCALE: 3/8" = 1'-0"



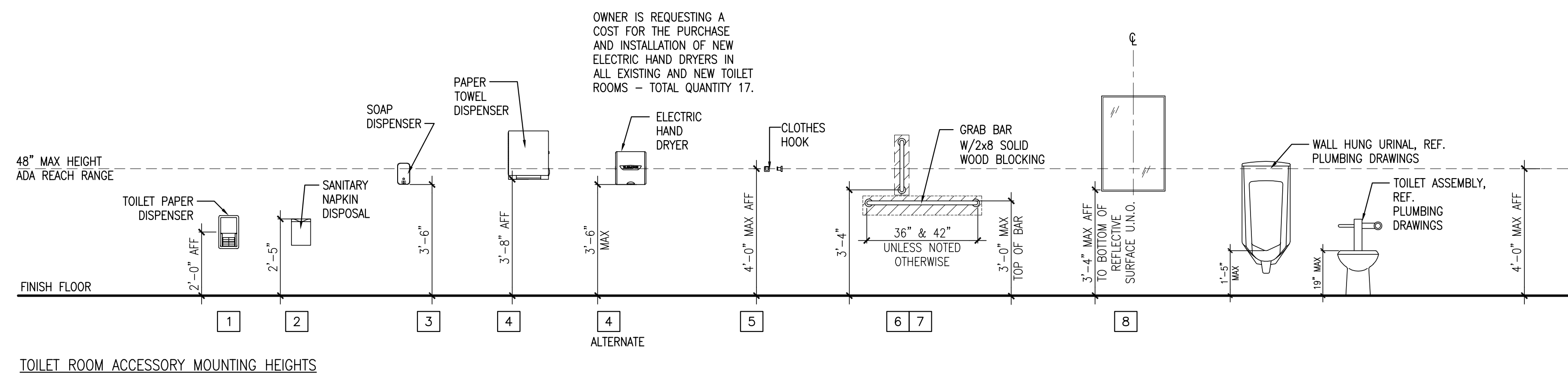
A2 INTERIOR ELEVATIONS @ WOMEN'S TOILET 206
REFERENCED FROM: F2/A4.01 SCALE: 3/8" = 1'-0"



A4 INTERIOR ELEVATIONS @ MEN'S TOILET 207
REFERENCED FROM: F2/A4.01 SCALE: 3/8" = 1'-0"

- TOILET ROOM ACCESSORY LEGEND**
- 1 MULTI-ROLL TOILET PAPER DISPENSER, BY OWNER
 - 2 SANITARY NAPKIN DISPOSAL
 - 3 SOAP DISPENSER, BY OWNER
 - 4 PAPER TOWER DISPENSER, BY OWNER
ALTERNATE: ELECTRIC HAND DRYER
 - 5 CLOTHES HOOK
 - 6A 42" GRAB BAR, STAINLESS STEEL W/ CONCEALED MOUNTING
 - 6B 36" GRAB BAR, STAINLESS STEEL W/ CONCEALED MOUNTING
 - 6C 18" GRAB BAR, STAINLESS STEEL W/ CONCEALED MOUNTING
 - 7 GRAB BAR ANCHORS
 - 8 24" x 36" PLATE MIRROR WITH BEVELED EDGE

- GENERAL NOTES:**
- 1) REFERENCE SPECIFICATIONS FOR ADDITIONAL INFORMATION.
 - 2) CONTRACTOR SHALL PROVIDE SOLID BLOCKING AS REQUIRED FOR ALL TOILET ACCESSORIES AND GRAB BARS.
 - 3) PLUMBING FIXTURES DIFFER, REFERENCE PLUMBING DRAWINGS.
 - 4) PROVIDE INSULATED PIPE KITS BENEATH ALL OPEN LAVATORIES WITH EXPOSED PIPES.
 - 5) INSTALL REMOVABLE SINK ENCLOSURES WITH BRASS SCREWS FOR EASY REMOVAL.
 - 6) PROVIDE FINISH WALL WITH WALL BASE BEHIND ALL SINK ENCLOSURES.



A5 TOILET ROOM ACCESSORIES LEGEND AND MOUNTING HEIGHTS
REFERENCED FROM: SCALE: 3/8" = 1'-0"

