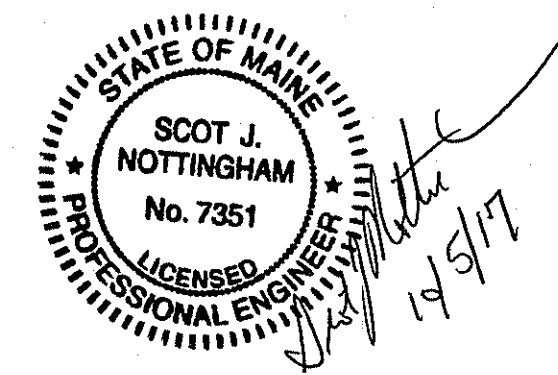
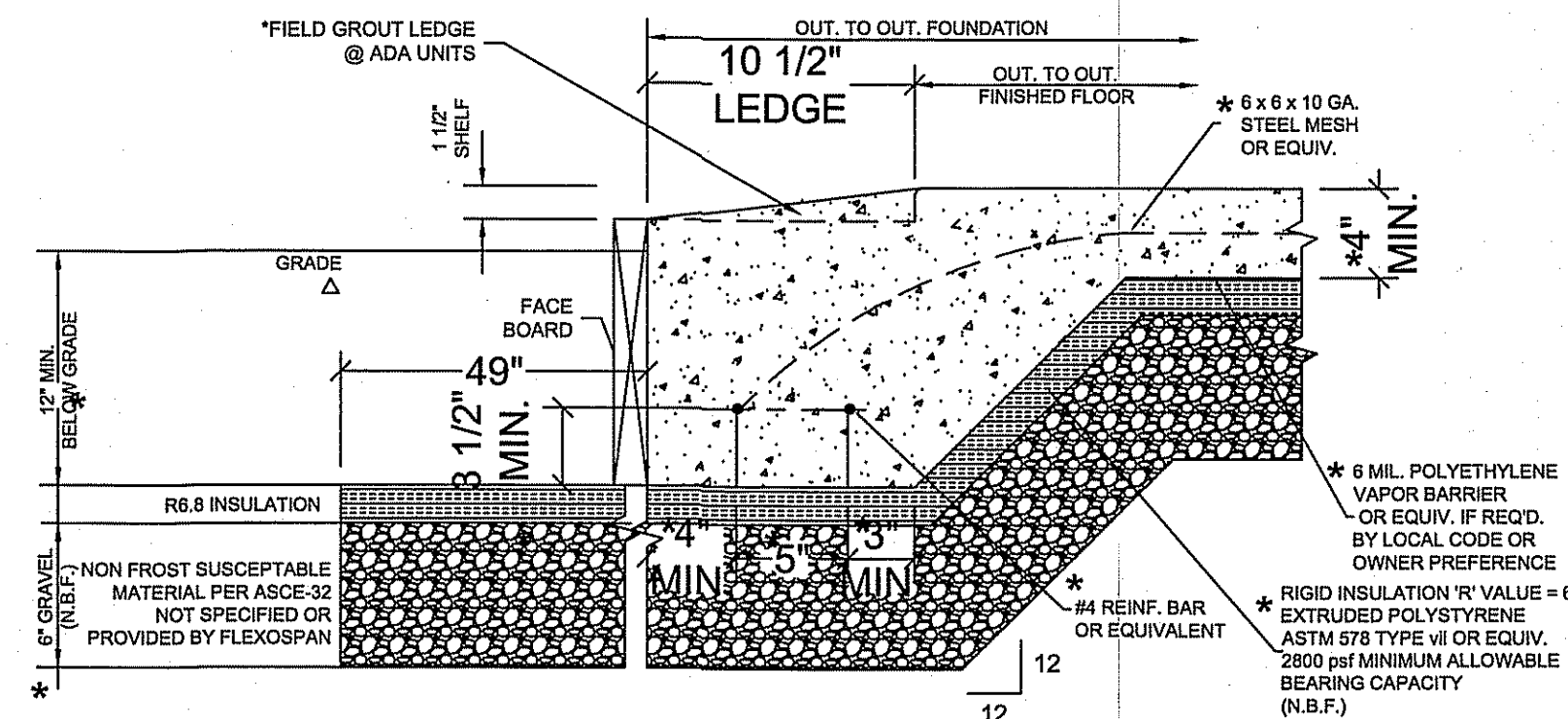
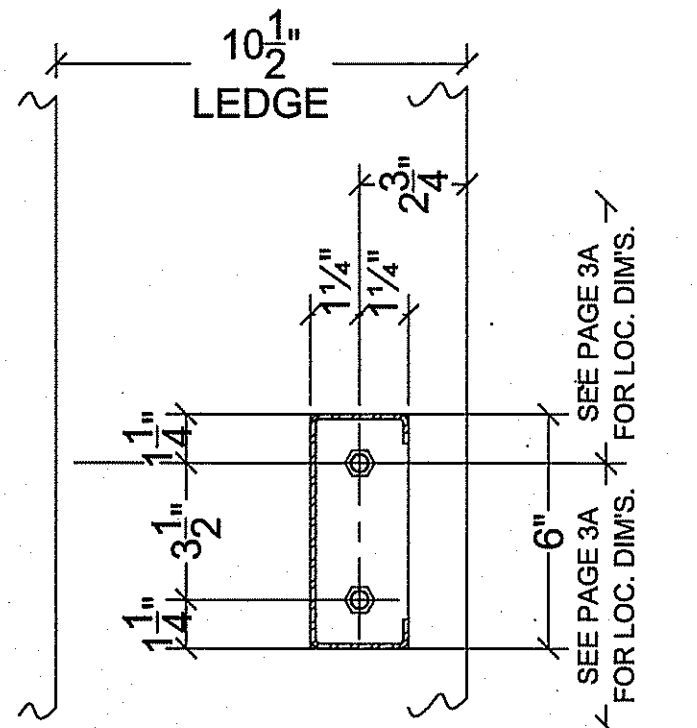
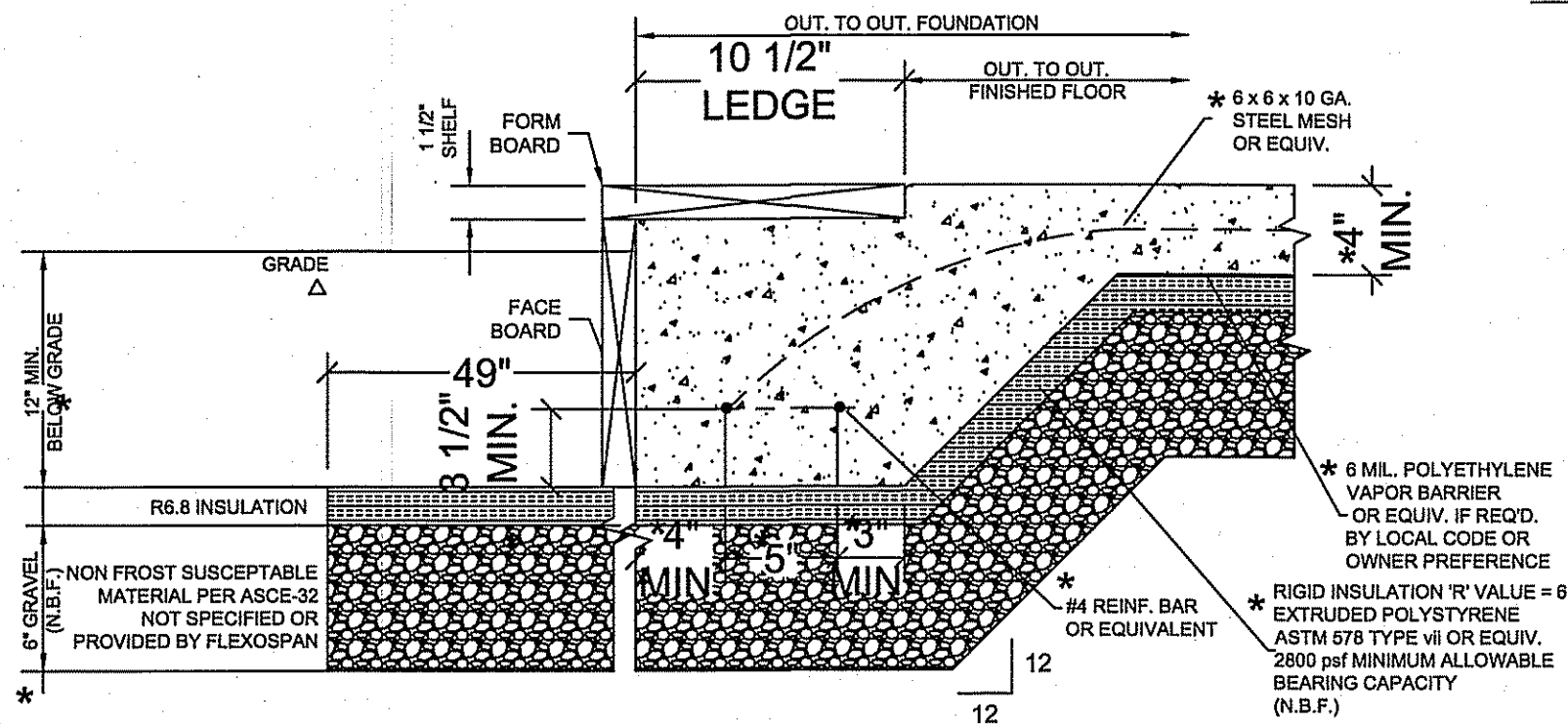


* MINIMUM REQUIREMENTS OF THE CONCRETE SLAB TO ACCEPT OUR BUILDING. BASED ON 3000 PSI COMPRESSIVE STRENGTH CONCRETE AND 1500 PSF ALLOWABLE BEARING PRESSURE. CONSULT WITH LOCAL AUTHORITY FOR COMPLIANCE WITH STATE AND LOCAL CODES.



REV.	BY	DATE	DESCRIPTION
A	J.R.H.	9-25-17	REVISED FOR FOUNDATION TO FROST.
B	J.R.H.	10-5-17	REVISED FOR INSULATION & GRAVEL.

APPROVED	DATE	APPROVED AS NOTED
<input type="checkbox"/> CUSTOMER	_____	<input type="checkbox"/>
<input type="checkbox"/> ARCHITECT	_____	<input type="checkbox"/>
<input type="checkbox"/> CONTRACTOR	_____	<input type="checkbox"/>
<input type="checkbox"/> DEALER	_____	<input type="checkbox"/>
<input type="checkbox"/> OTHER	_____	<input type="checkbox"/>
<input type="checkbox"/>	_____	<input type="checkbox"/>

GROUND SNOW LOAD: 70 PSF
WIND LOAD: 90 MPH



BOX 515 RAILROAD STREET
SANDY LAKE, PA. 16145-0515
PHONE: 800-245-0396
FAX: 724-376-3884

FOUNDATION DETAILS
JMC STORAGE
980 RIVERSIDE DRIVE
PORTLAND, ME
207-653-6339

DRAWN BY AZKCC/RT 10/25/16
CHECKED BY 21667M-4A