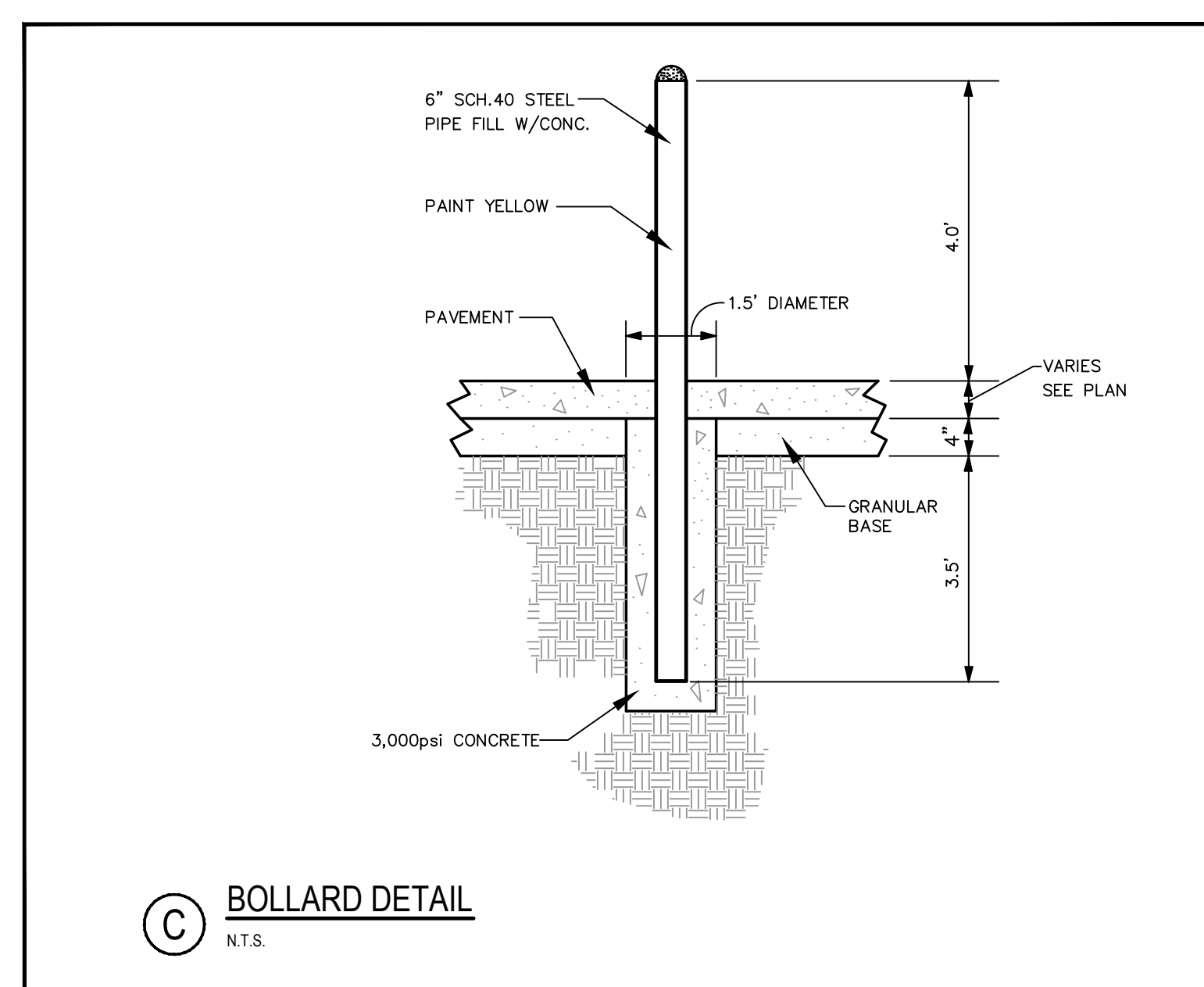
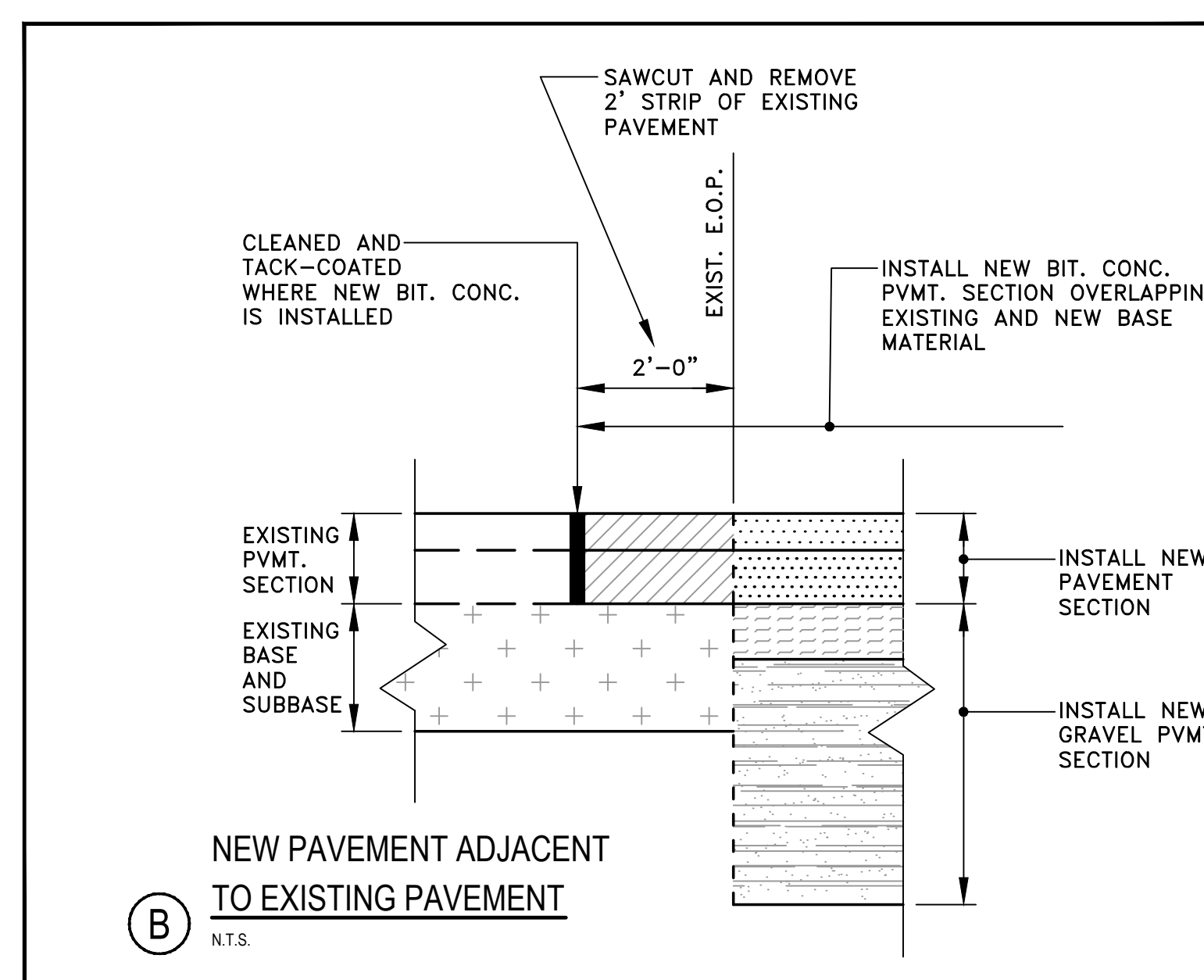
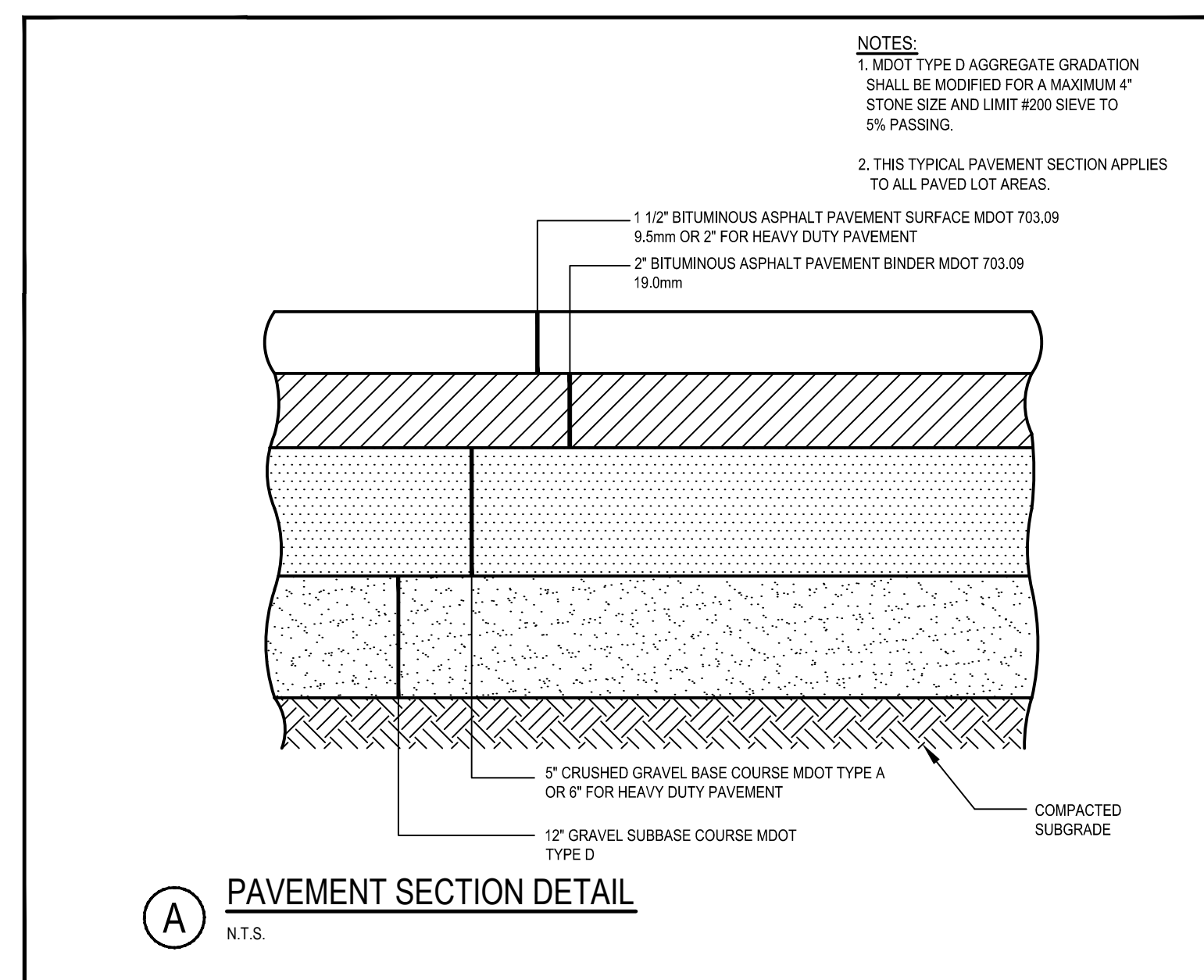


Copyright Reserved

The Contractor shall verify and be responsible for all dimensions. DO NOT scale the drawing - any errors or omissions shall be reported to Stantec without delay.
The Copyrights to all designs and drawings are the property of Stantec. Reproduction or use for any purpose other than that authorized by Stantec is forbidden.

Consultants

Notes



16.07.08
 BY
 APPD.
 YAM/ADD
 REVISION
 LEVEL SITE PLAN SUBMISSION

File Name: 195350364 DETAILS	DED	SR8	SR8	16.06.08
	DWN.	CHKD.	DSGN.	DATE

Permit-Seal

Client/Project
980 RIVERSIDE LLC

MINI-STORAGE EXPANSION

980 RIVERSIDE STREET, PORTLAND, MAINE

Title
SITE DETAILS

Project No. 195350364
Scale AS NOTED

Sheet

V:\195350364\195350364\195350364\195350364_details.dwg pflintnz 7/8/2016 11:24 AM