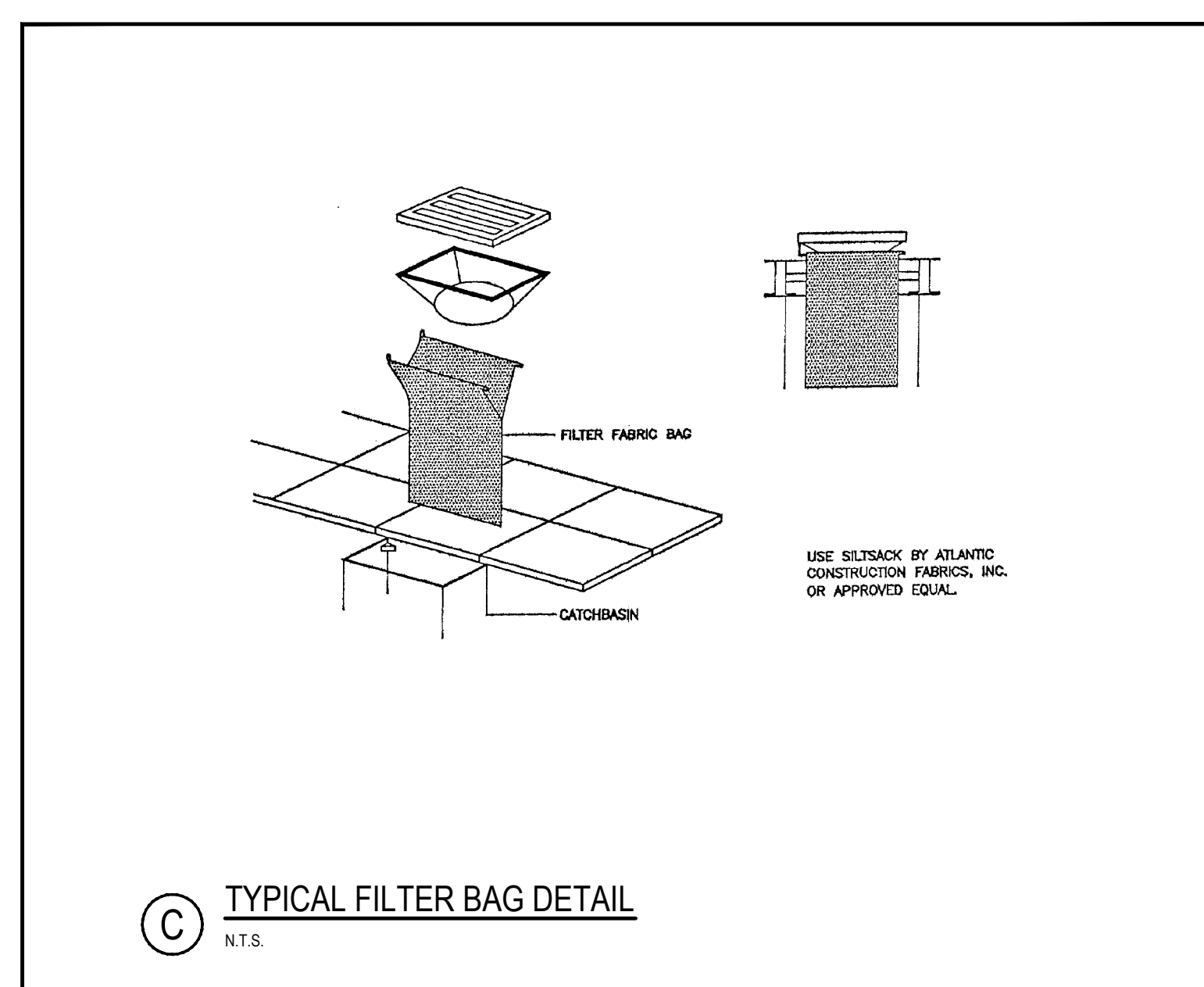
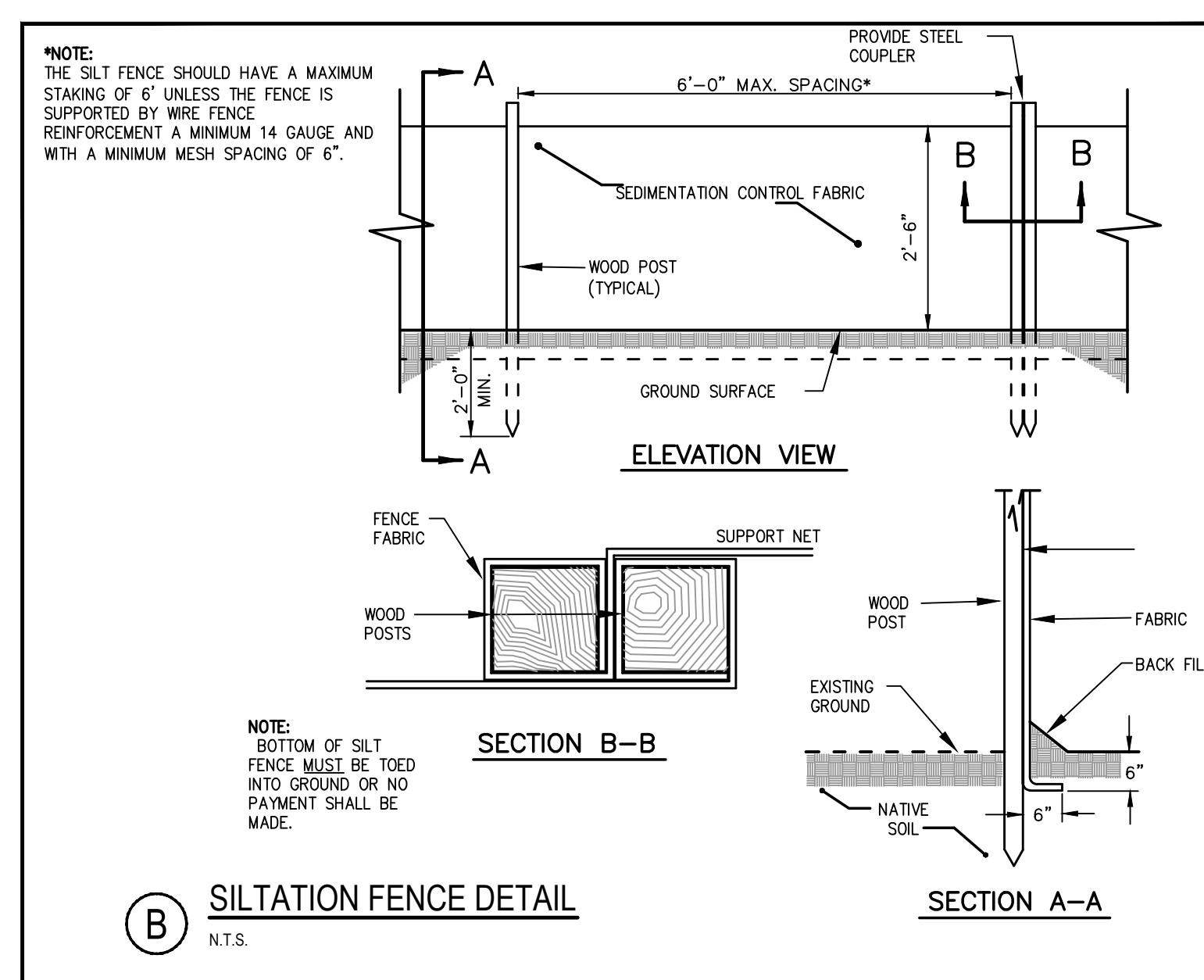
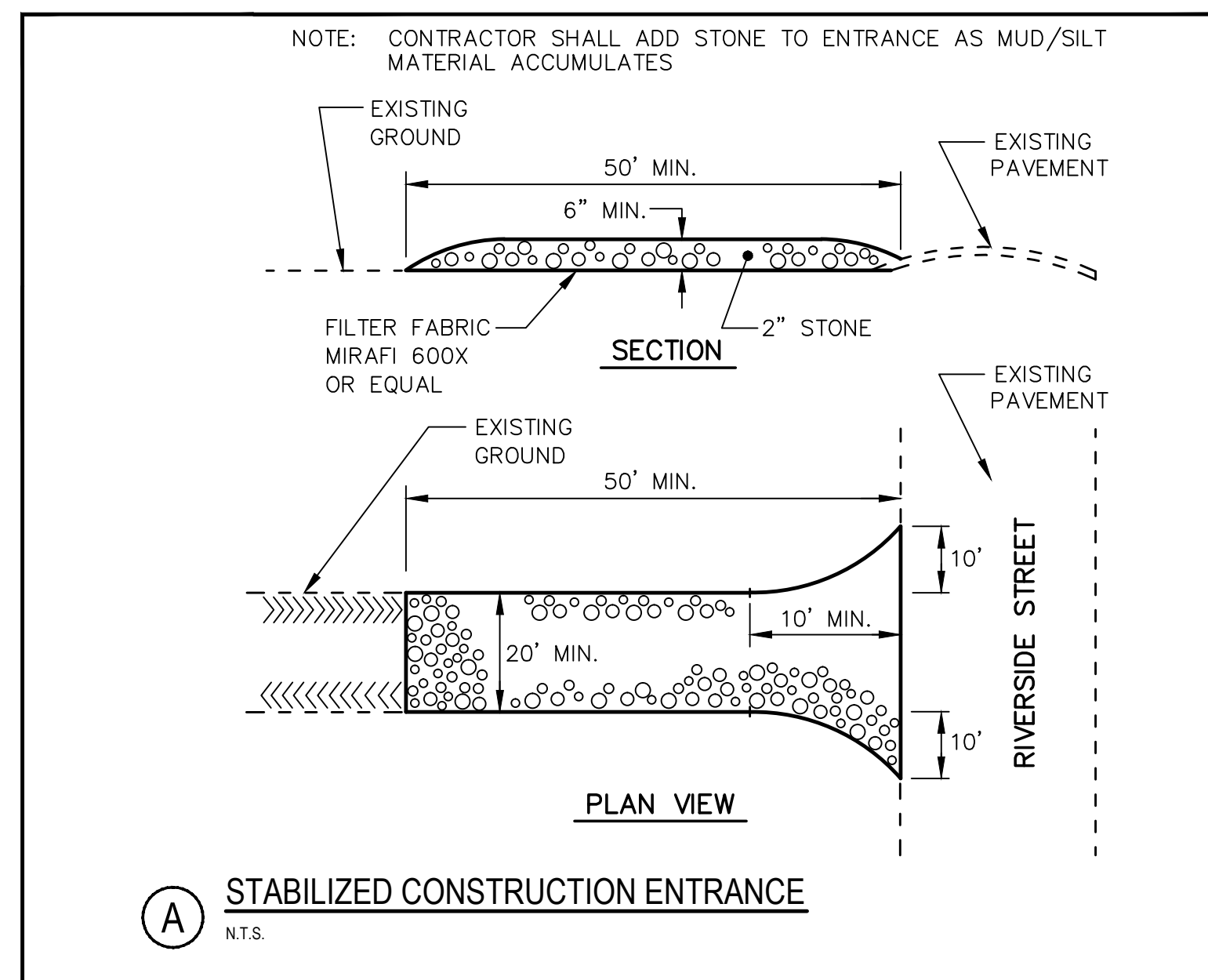


Copyright Reserved

The Contractor shall verify and be responsible for all dimensions. DO NOT scale the drawing - any errors or omissions shall be reported to Stantec without delay.
The Copyrights to all designs and drawings are the property of Stantec. Reproduction or use for any purpose other than that authorized by Stantec is forbidden.

Consultants

Notes



16.07.08
 YAMALDO
 BY
 ARPD
 REVISION
 LEVEL & SITE PLAN SUBMISSION

File Name: 195350364 DETAILS	DED	SR8	SR8	16.06.08
	DWN.	CHKD.	DSGN.	DATE

Permit-Seal

Client/Project
980 RIVERSIDE LLC

 MINI-STORAGE EXPANSION

 980 RIVERSIDE STREET, PORTLAND, MAINE

 Title
EROSION CONTROL DETAILS

Project No. 195350364
Scale AS NOTED

Sheet