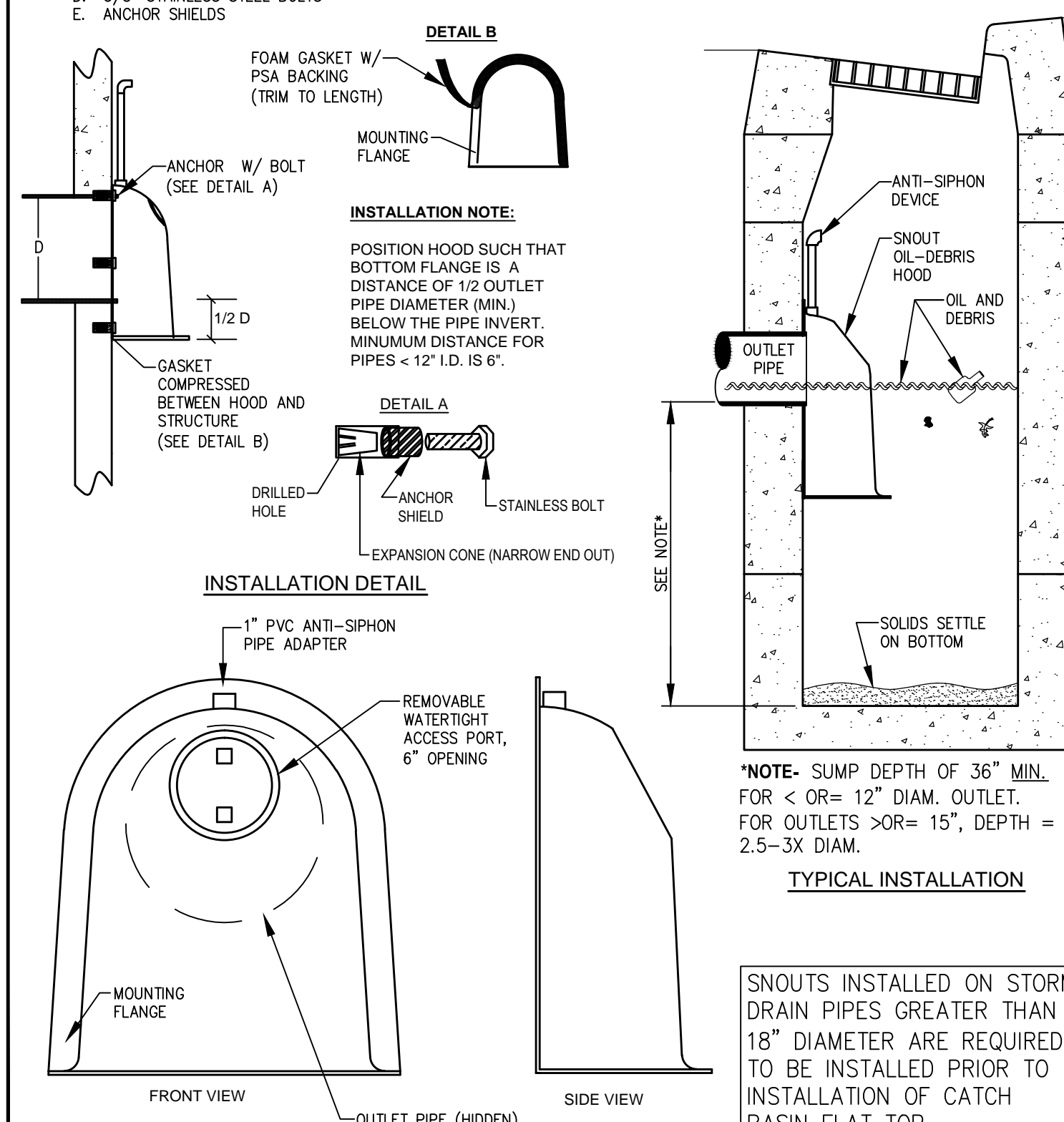


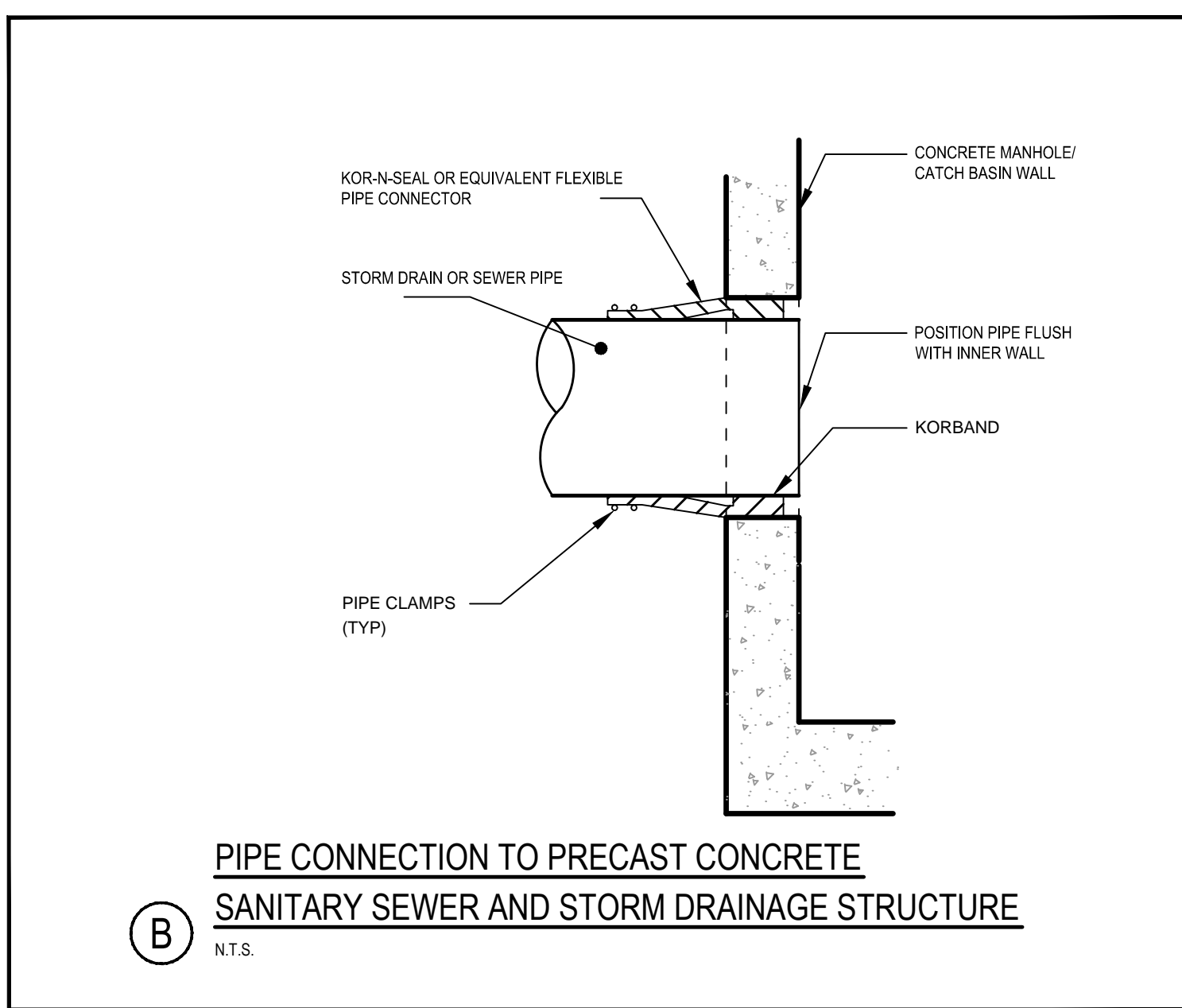
- NOTES:**
- ALL HOODS AND TRAPS FOR CATCH BASINS AND WATER QUALITY STRUCTURES SHALL BE AS MANUFACTURED BY BEST MANAGEMENT PRODUCTS, INC. TOLL FREE: (800) 354-8008 OR (888) 354-7585. WEB SITE: www.bmpinc.com OR PRE-APPROVED EQUAL.
  - ALL HOODS SHALL BE CONSTRUCTED OF A GLASS REINFORCED RESIN COMPOSITE WITH ISO GEL COAT EXTERIOR FINISH WITH A MINIMUM 0.125" LAMINATE THICKNESS.
  - ALL HOODS SHALL BE EQUIPPED WITH A WATERTIGHT ACCESS PORT, A MOUNTING FLANGE, & AN ANTI-SIPHON VENT AS DRAWN. (SEE CONFIGURATION DETAIL.)
  - THE SIZE AND POSITION OF THE HOOD SHALL BE DETERMINED BY OUTLET PIPE SIZE IN ACCORDANCE WITH THE FOLLOWING TABLE:

STRUCTURE OUTLET HOLE SIZE	SNOUT SIZE
11.9" O.D. OR LESS	12 F or R
12.0"-17.9" O.D.	18 F or R
18.0"-23.9" O.D.	24 F or R
24.0"-29.9" O.D.	30 F or R
30.0"-47.9" O.D.	48 F
48.0"-95.9" O.D.	96 F

- THE BOTTOM OF THE HOOD SHALL EXTEND DOWNWARD A DISTANCE EQUAL TO 1/2 THE OUTLET PIPE DIAMETER WITH A MINIMUM DISTANCE OF 6" FOR PIPES <12" I.D.
- THE ANTI-SIPHON VENT SHALL EXTEND ABOVE HOOD BY MINIMUM OF 3" AND A MAXIMUM OF 24" ACCORDING TO STRUCTURE CONFIGURATION.
- THE SURFACE OF THE STRUCTURE WHERE THE HOOD IS MOUNTED SHALL BE FINISHED SMOOTH AND FREE OF LOOSE MATERIAL.
- THE HOOD SHALL BE SECURELY ATTACHED TO STRUCTURE WALL WITH 3/8" STAINLESS STEEL BOLTS AND OIL-RESISTANT GASKET AS SUPPLIED BY MANUFACTURER. (SEE INSTALLATION DETAIL.)
- INSTALLATION INSTRUCTIONS SHALL BE FURNISHED WITH MANUFACTURER SUPPLIED INSTALLATION KIT, WHICH INCLUDES:
  - INSTALLATION INSTRUCTIONS
  - PVC ANTI-SIPHON VENT PIPE AND ADAPTER
  - OIL-RESISTANT CRUSHED CELL FOAM GASKET WITH PSA BACKING
  - 3/8" STAINLESS STEEL BOLTS
  - ANCHOR SHIELDS



**A** SNOUT OIL-WATER-DEBRIS SEPARATOR DETAIL  
N.T.S.



**B** PIPE CONNECTION TO PRECAST CONCRETE SANITARY SEWER AND STORM DRAINAGE STRUCTURE  
N.T.S.

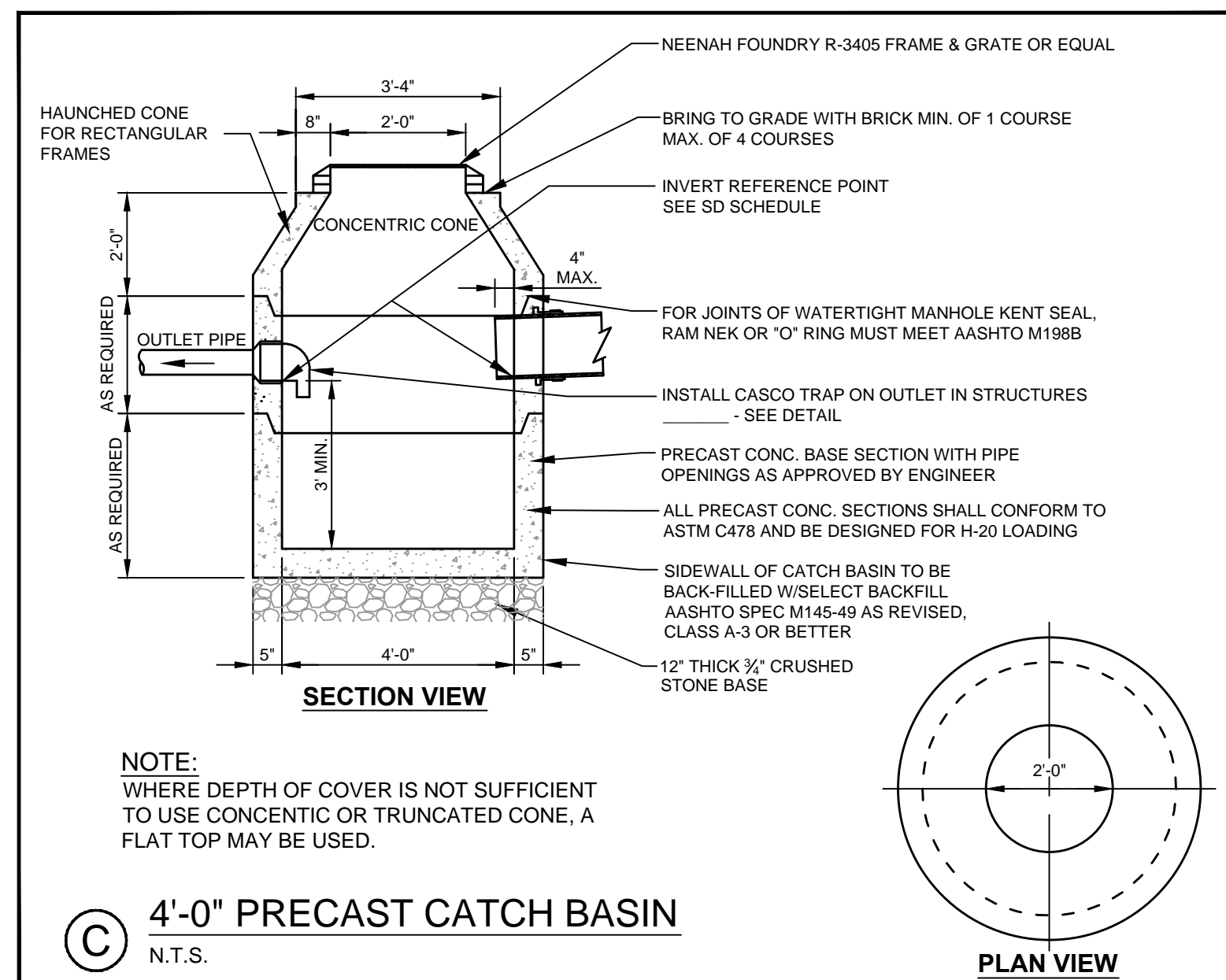
**SCHEDULE OF BASE BACKFILL FOR NON-SANITARY INSTALLATIONS**

TYPE OF PIPE	BEDDING MATERIAL	SPECIAL BACKFILL	SPECIAL BACKFILL COVER "A" (IN)	SELECT BACKFILL
CONCRETE	3/4" CRUSHED STONE	GRANULAR AASHTO M145-49 A-3 OR BETTER	12	GRANULAR AASHTO M145-49 A-3 OR BETTER
PVC	3/4" CRUSHED STONE	GRANULAR AASHTO M145-49 A-3 OR BETTER	6	GRANULAR AASHTO M145-49 A-3 OR BETTER
CMP	3/4" CRUSHED STONE	GRANULAR AASHTO M145-49 A-3 OR BETTER	6	GRANULAR AASHTO M145-49 A-3 OR BETTER
DUCTILE IRON	GRANULAR AASHTO M145-49 A-3 OR BETTER	GRANULAR AASHTO M145-49 A-3 OR BETTER	6	GRANULAR AASHTO M145-49 A-3 OR BETTER

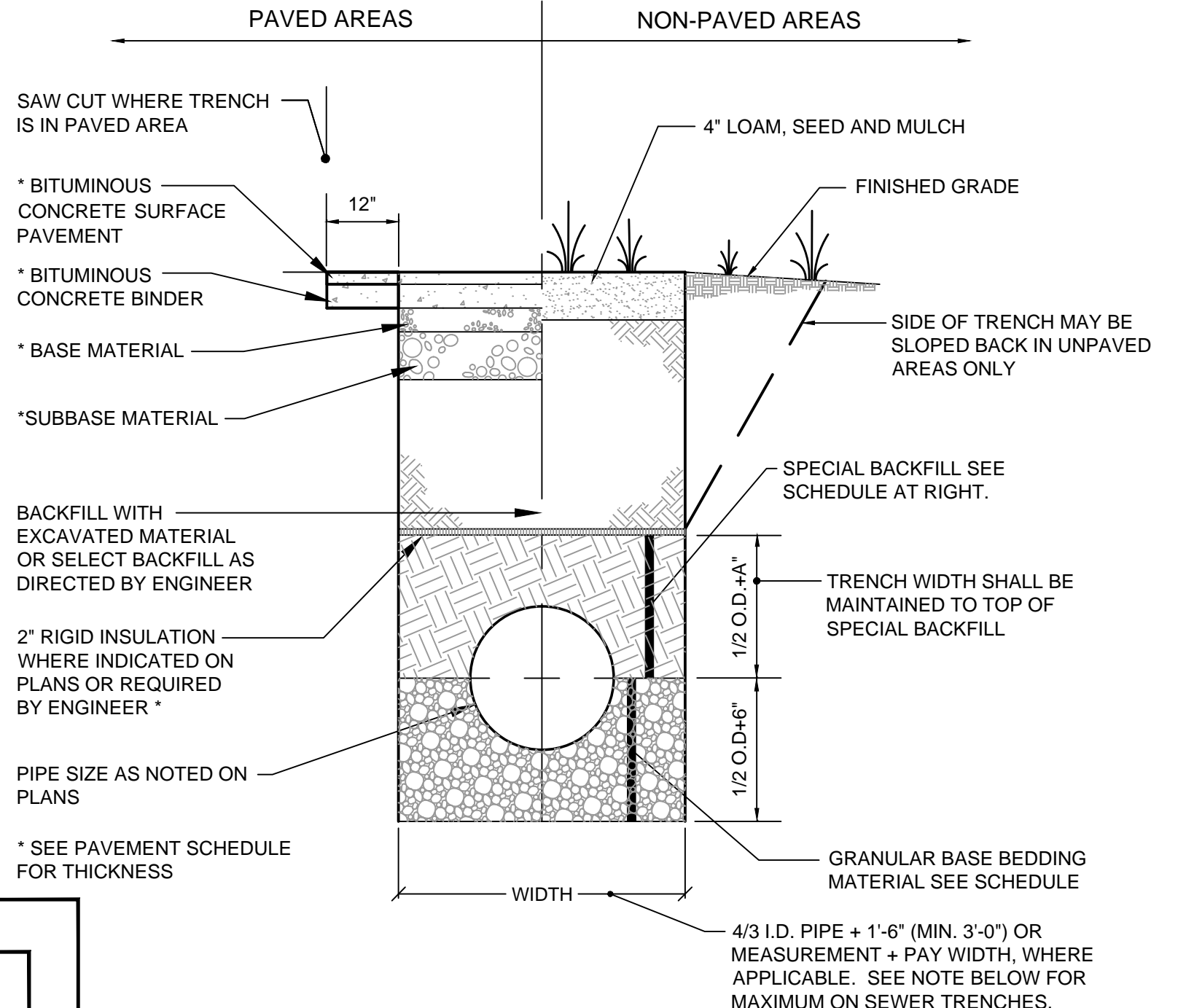
**MAXIMUM ALLOWABLE TRENCH WIDTHS FOR SEWERS**

PIPE SIZE	MAXIMUM WIDTH
10" OR LESS	
12 TO 15	4'-0"
18	4'-6"
24	5'-6"
30	6'-0"
36	6'-6"
42	7'-3"
48	8'-0"

SHEETING, IF REQUIRED, SHALL BE CUT OFF 2'-0" BELOW FINISH GRADE.



**C** 4'-0" PRECAST CATCH BASIN  
N.T.S.



**SCHEDULE OF BASE BACKFILL FOR SANITARY INSTALLATIONS**

TYPE OF PIPE	BEDDING MATERIAL	SPECIAL BACKFILL	SPECIAL BACKFILL COVER "A" (IN)	SELECT BACKFILL
PVC PRESSURE	3/4" CRUSHED STONE	3/4" CRUSHED STONE	6	GRANULAR AASHTO M145-49 A-3 OR BETTER
PVC GRAVITY	3/4" CRUSHED STONE	GRANULAR AASHTO M145-49 A-3 OR BETTER	6	GRANULAR AASHTO M145-49 A-3 OR BETTER
DUCTILE IRON	3/4" CRUSHED STONE	3/4" CRUSHED STONE	6	GRANULAR AASHTO M145-49 A-3 OR BETTER

**D** TYPICAL SEWER, WATER MAIN, & STORM DRAIN TRENCH SECTION  
N.T.S.

V:\195350364\195350364\civil\land\perm\dwg\195350364\_details.dwg pflintnz 7/9/2016 11:24 AM

REVISION  
BY  
DATE  
16.07.08  
YAM/DO  
APPC.