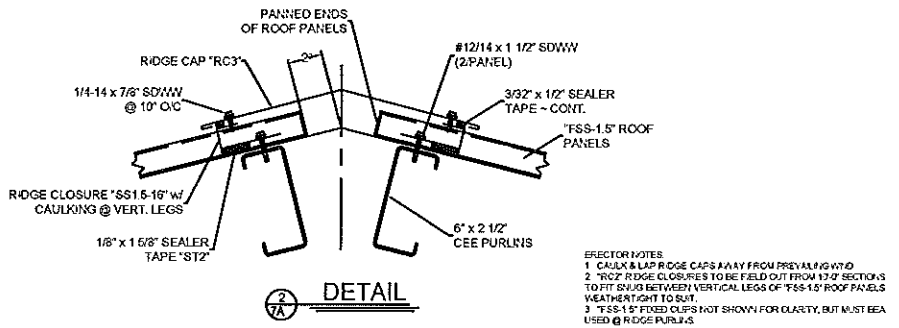
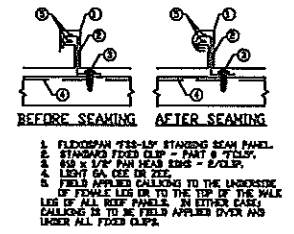
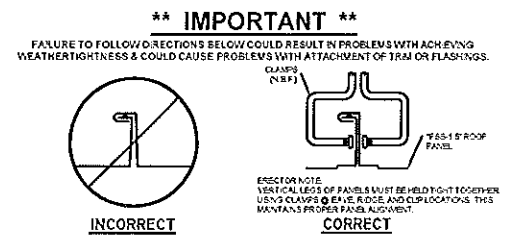
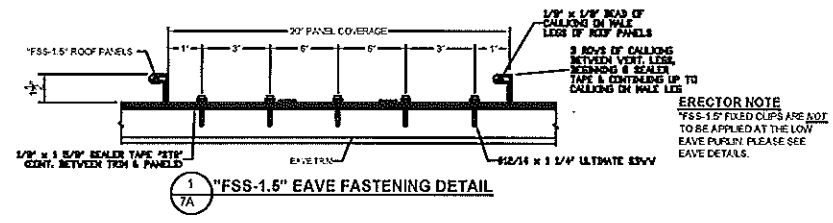
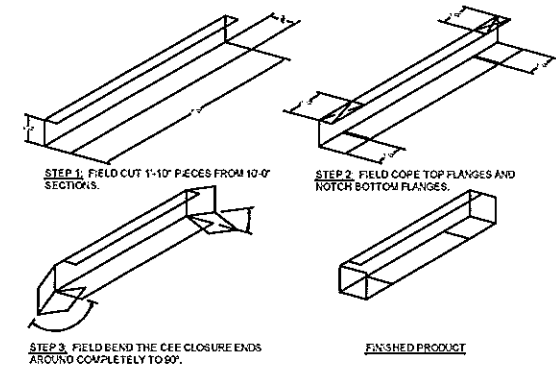


"FLEXBEAM" SIDING FASTENING SCHEDULE
(LONG PANELS)

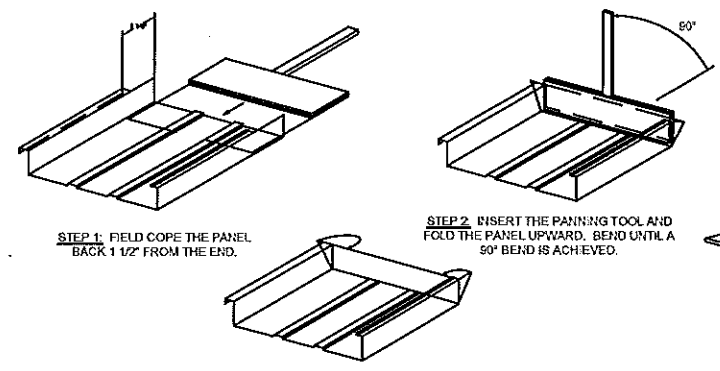


FIELD PANNING OR BOXING THE END OF THE "FSS-1.5" ROOF PANEL

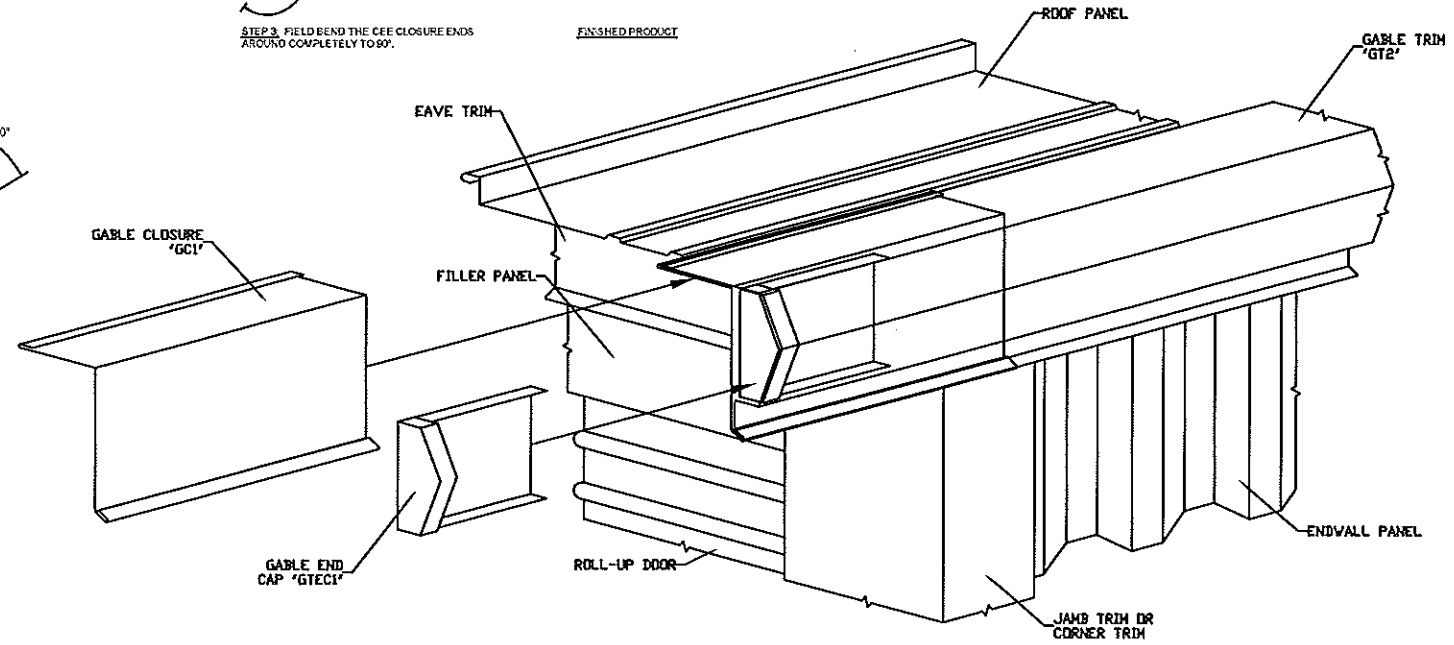
FIELD FORMING OF RIDGE CEE CLOSURES



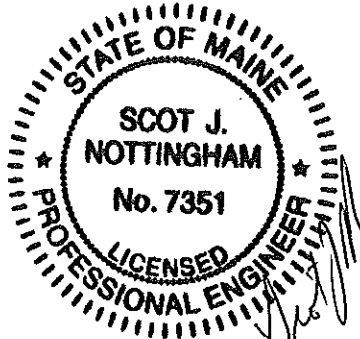
***NOTE: ALL EAVE SCREWS TO BE PUT INTO ROOF FROM LADDER. DO NOT STAND ON ROOF TO PUT THESE SCREWS IN. THIS MAY CAUSE PONDING OF WATER AT THE EAVES.**



ERECTOR NOTES:
1. THE PEAK END OF ALL PANELS SHOULD HAVE THE BOXED END COMPLETED BEFORE STARTING THE ROOF SHEATHING.
2. BEND THE COPE ENDS OUTWARD PRIOR TO MAKING THE 90° BEND. THIS WILL ALLOW THE MATERIAL TO MOVE OUTWARD.



GABLE CLOSURE DETAIL W/O GUTTER



**FOR PERMIT ONLY
NOT FOR CONSTRUCTION**

REV.	BY	DATE	DESCRIPTION

APPROVALS:	
APPROVED: <input type="checkbox"/> CUSTOMER	DATE: _____
<input type="checkbox"/> ARCHITECT	DATE: _____
<input type="checkbox"/> CONTRACTOR	DATE: _____
<input type="checkbox"/> DEALER	DATE: _____
<input type="checkbox"/> OTHER	DATE: _____

GROUND SNOW LOAD: 80_PSE
WIND LOAD: 80_MPH

601 S RAILROAD STREET
SANDY LAKE, PA. 16149-0515
PHONE: 800-245-0336
FAX: 724-376-2564

FASTENING SCHEDULES	
JYC STORAGE	
980 RIVERSIDE DRIVE	
PORTLAND, ME	
207-653-6339	

DESIGNED BY: *AJK/CRB* 10/25/16
CHECKED BY: *[Signature]* 21667M-7A