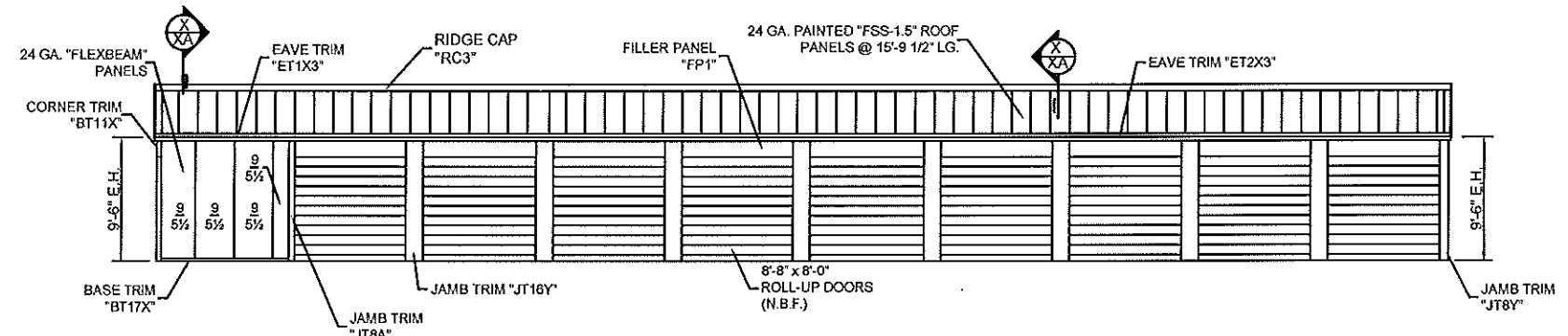
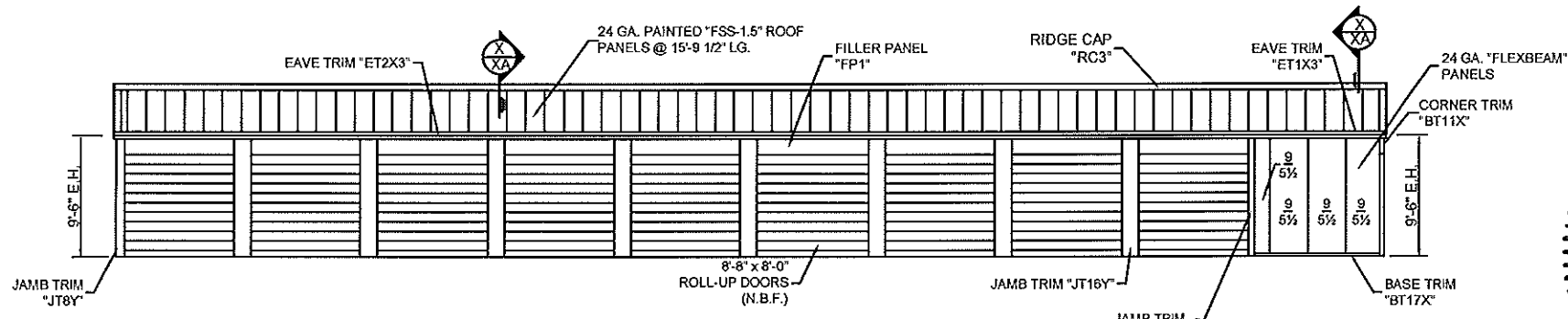


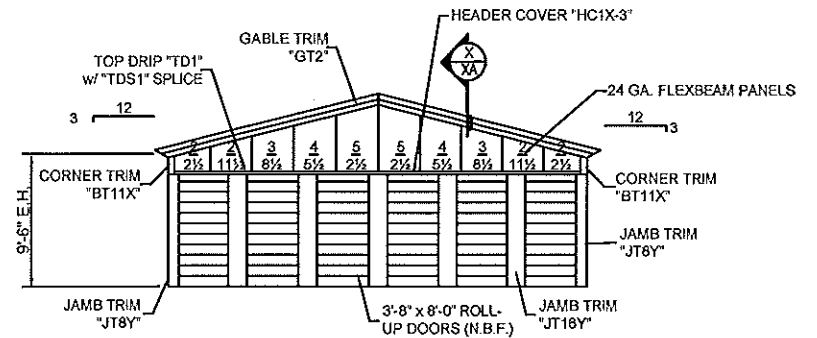
ROOF SHEETING PLAN



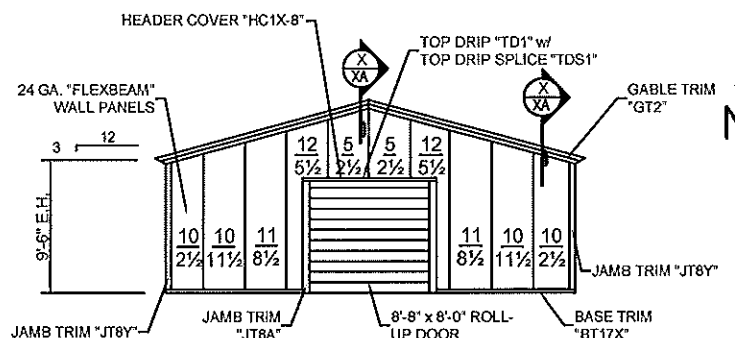
NEAR SIDEWALL ELEVATION



FAR SIDEWALL ELEVATION

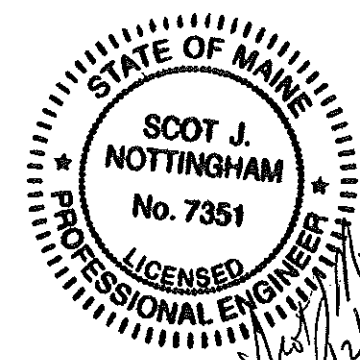


LEFT ENDWALL ELEVATION



RIGHT ENDWALL ELEVATION

**FOR PERMIT ONLY
NOT FOR CONSTRUCTION**



REV.	BY	DATE	DESCRIPTION

APPROVED	DATE	APPROVED AS NOTED
<input type="checkbox"/> CLIENT	_____	<input type="checkbox"/>
<input type="checkbox"/> ARCHITECT	_____	<input type="checkbox"/>
<input type="checkbox"/> CONTRACTOR	_____	<input type="checkbox"/>
<input type="checkbox"/> DOLLER	_____	<input type="checkbox"/>
<input type="checkbox"/> OWNER	_____	<input type="checkbox"/>
<input type="checkbox"/>	_____	<input type="checkbox"/>

GROUND SNOW LOAD: PSF
WIND LOAD: MPH

FLEXOSPAN
BOX 615 RIVERROAD STREET
SANDY LAKE, PA. 16145-0615
PHONE: 800-245-0396
FAX: 724-278-3241

SHEETING PLAN & ELEVATIONS
JMC STORAGE
980 RIVERSIDE DRIVE
PORTLAND, ME
207-653-6339

DATE BY: 12/20/15
CREATED BY: **21667M-6A**