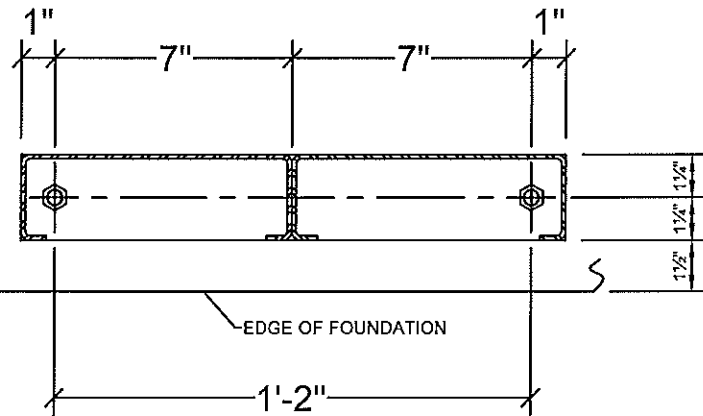
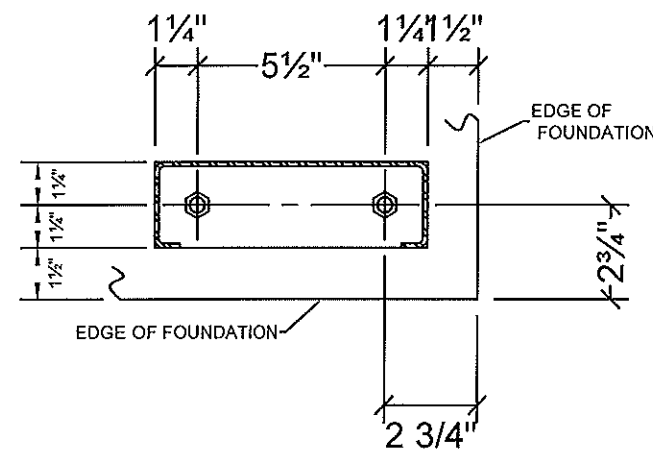


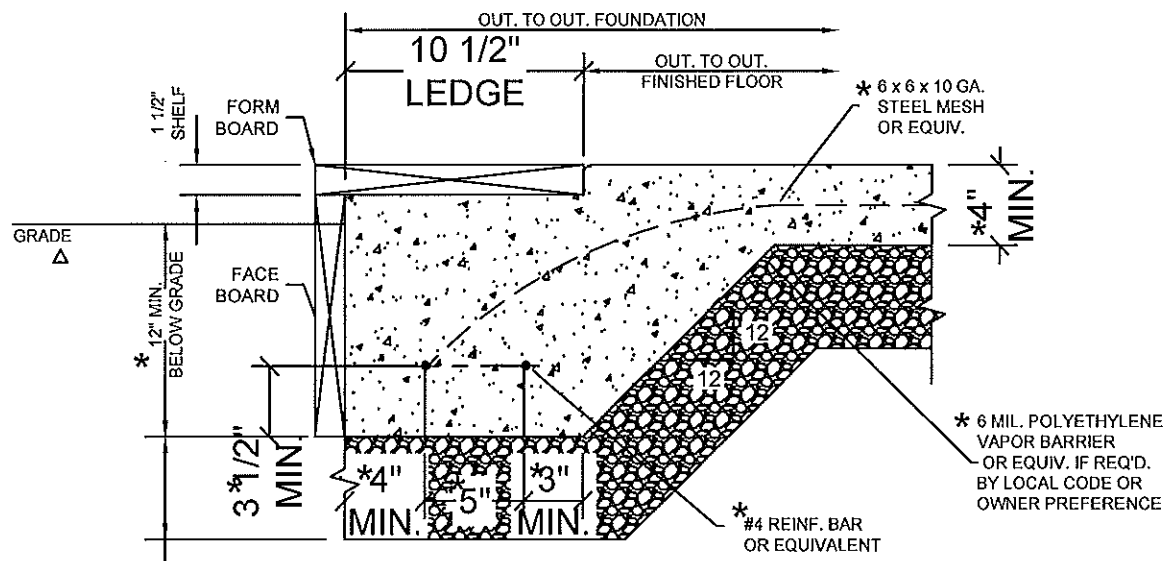
1
4A CORNER JAMB DETAIL
REFERENCE DRAWING 3A



2
4A TYPICAL SIDEWALL JAMB DETAIL
REFERENCE DRAWING 3A



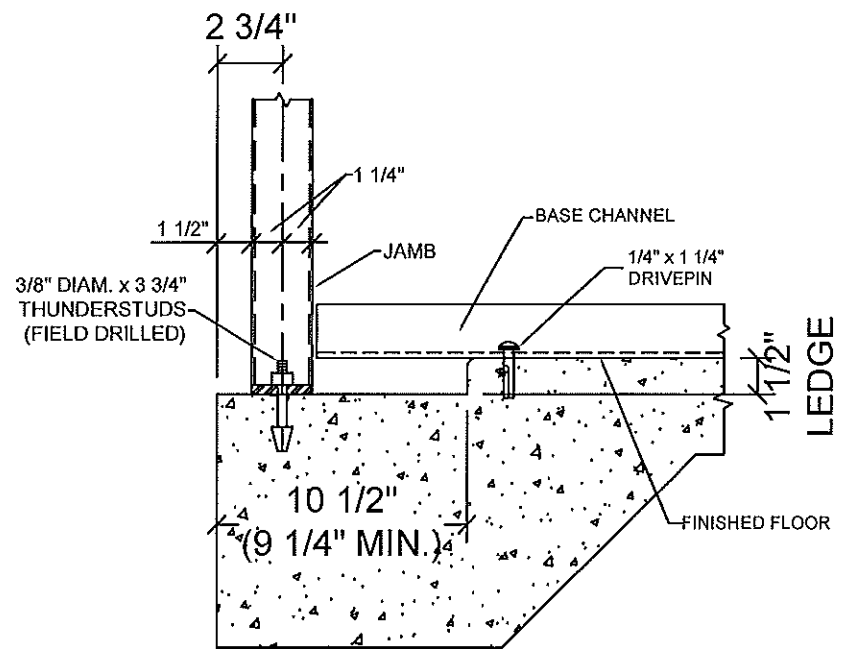
3
4A CORNER JAMB DETAIL
REFERENCE DRAWING 3A



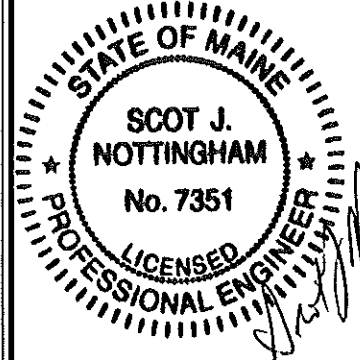
* NON FROST SUSCEPTABLE MATERIAL PER ASCE-32 NOT SPECIFIED OR PROVIDED BY FLEXOSPAN

* MINIMUM REQUIREMENTS OF THE CONCRETE SLAB TO ACCEPT OUR BUILDING. BASED ON 3000 PSI COMPRESSIVE STRENGTH CONCRETE AND 1500 PSF ALLOWABLE BEARING PRESSURE. CONSULT WITH LOCAL AUTHORITY FOR COMPLIANCE WITH STATE AND LOCAL CODES.

4
4A SECTION THRU FND. @ DOOR
REFERENCE DRAWING 3A



SECTION THRU FDN. @ JAMB



Signature
3/2/17

FOR PERMIT ONLY
NOT FOR CONSTRUCTION

REV.	BY	DATE	DESCRIPTION

APPROVALS:		APPROVED	NOTED
<input type="checkbox"/>	CUSTOMER	DATE	<input type="checkbox"/>
<input type="checkbox"/>	ARCHITECT	DATE	<input type="checkbox"/>
<input type="checkbox"/>	CONTRACTOR	DATE	<input type="checkbox"/>
<input type="checkbox"/>	SEALER	DATE	<input type="checkbox"/>
<input type="checkbox"/>	OWNER	DATE	<input type="checkbox"/>
<input type="checkbox"/>		DATE	<input type="checkbox"/>

GROUND SNOW LOAD: 80 PSF
WIND LOAD: 80 MPH

FLEXOSPAN
BOX 516 RAILROAD STREET
SANDY LAKE, PA. 15145-0515
PHONE: 800-245-0356
FAX: 724-376-3884

FOUNDATION DETAILS	
JMC STORAGE	
980 RIVERSIDE DRIVE	
PORTLAND, ME	
207-653-6339	
DRAWN BY: AZKACAP	10/25/16
CHECKED BY:	21667M-4A