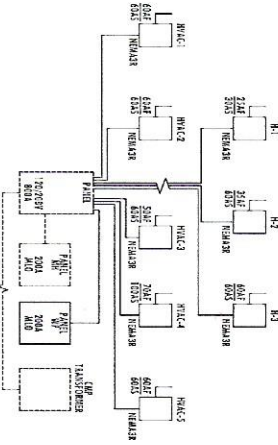


QUANTITY	TYPE	MANUFACTURER	CATALOG NUMBER	DESCRIPTION	LAMPS
5	A	MEFALUX	228-R-LD-129-C-UNV-LE80-CD-U	222 LED TROFFER	LED
23	B	MEFALUX	248-R-LD-148-C-UNV-LE80-CD-U	244 LED TROFFER	LED
1	C	MEFALUX	208R-352A-UNV-VEB91	2x4 TROFFER	3 - F321B SP4
7	D	MEFALUX	8155F-232-UNV-VEB91-WC-58-4F	817 2x4W/5TRP	4 - F321B SP4
4	E	MCGRAW	CNC-CDI - LED-EI-50-TW	LED SURFACE	LED
55	F	COLUMBIA	LH4-DMAMVSEU/UNVQV5	LED LINEAR HUBWAY	LED
8	G	HUBBELL	LMC-30LU-K-3-035-4P-CI	LED WALL PACK	LED
10	G1	HUBBELL	LMC-30LU-K-3-035-4P-CI	LED WALL PACK	LED
1	J	CO LUMBIA	CSH-32EU	4FT 1x4W/5TRP	1 - F321B SP4
4	EX1	DUAL-LITE	XURVE	LED EXIT SIGN	LED
20	EX2	DUAL-LITE	LURV	LED EXIT SIGN/BATTERY UNIT	LED
9	EBU1	DUAL-LITE	L200-2W	BATTERY UNIT	LED
5	EBU1	DUAL-LITE	L215	BATTERY UNIT	LED
1	EBU2	DUAL-LITE	L290	BATTERY UNIT	LED
2	SM1	DUAL-LITE	L285W5005	SINGLE REMOVE HEAD	LED

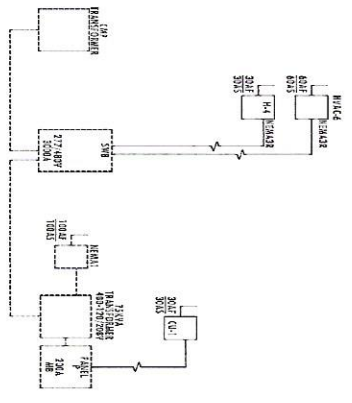
FIXTURE SCHEDULE

ORIENTATION:
↑ RISE ALARM AND SCRAM SYSTEMS BY OTHERS



NOTE:
1. CERTAIN ELECTRICAL SERVICES, WIRING, AND EQUIPMENT
TRANSFORMERS, ETC., ARE SHOWN IN THIS DRAWING FOR INFORMATION ONLY.
NEEDS BE IDENTIFIED TO ACCOMMODATE THE SAME.

BUILDING ONE RISER



NOTE:
1. CERTAIN ELECTRICAL SERVICES, WIRING, AND EQUIPMENT
TRANSFORMERS, ETC., ARE SHOWN IN THIS DRAWING FOR INFORMATION ONLY.
NEEDS BE IDENTIFIED TO ACCOMMODATE THE SAME.

BUILDING TWO RISER

LIGHTING & EXIT LEGEND

- 2' x 4' LIGHT FIXTURE
- 2' x 2' LIGHT FIXTURE
- ◻ RECESSED LIGHT FIXTURE
- ◻ RECESSED LIGHT FIXTURE - NON-FLUORESCENT
- ◻ FLUORESCENT STRIP FIXTURE
- SEMI-FLUSH LIGHT FIXTURE
- S SINGLE POLE SWITCH - MOUNTED 48" AFF TO TOP
- S 3-WAY SWITCH - MOUNTED 48" AFF TO TOP
- S 4-WAY SWITCH - MOUNTED 48" AFF TO TOP
- S DIMMER SWITCH - MOUNTED 48" AFF TO TOP
- ⊗ EXIT SIGN - WALL MOUNTED
- ⊗ EXIT SIGN - CEILING MOUNTED
- ⊗ EXIT SIGN/RECHARGEABLE LIGHT UNIT - WALL MOUNTED

POWER LEGEND

- ⊕ DUPLEX CONVENIENCE RECEPTACLE - 18" AFF TO TOP
- ⊕ DUPLEX CONVENIENCE RECEPTACLE - 48" AFF TO TOP
- ⊕ GROUND FAULT INTERRUPTER RECEPTACLE - 18" AFF TO TOP
- ⊕ GROUND FAULT INTERRUPTER RECEPTACLE - 48" AFF TO TOP
- ⊕ WEATHERPROOF GFI RECEPTACLE
- ⊕ SPECIAL EQUIPMENT WIRING
- ⊕ RECESSED MOUNTED LIGHTING & POWER PANEL
- ⊕ DIRECT CONNECT SWITCH
- ⊕ M5 = DIRECT CONNECT SWITCH SIZE