

QUANTITY	TYPE	MANUFACTURER	CATALOG NUMBER	DESCRIPTION	LAMPS
5	A	MEFALUX	226-R-LD-129-C-UNV-LE80-CD-U	222 LED TROFFER	LED
23	B	MEFALUX	246-R-LD-148-C-UNV-LE80-CD-U	244 LED TROFFER	LED
1	C	MEFALUX	208R-352A-UNV-VE81	2x4 TROFFER	3 - F321B SP4
7	D	MEFALUX	8155F-232-UNV-VE81-WC-58-4F	817 2x4W/8 STRIP	4 - F321B SP4
4	E	MCGRAW	CNC-CDI - LED-EI-50-TW	LED SURFACE	LED
55	F	COLUMBIA	LH4-DMAMVSEU/UNVQV5	LED LINEAR HUBWAY	LED
8	G	HUBBELL	LMC-50LU-K43-005-4P-CI	LED WALL PACK	LED
10	G1	HUBBELL	LMC-50LU-K43-005-4P-CI	LED WALL PACK	LED
1	J	CO LUMBA	CS4 - 32EU	4FT 1x4W/8 STRIP	1 - F321B SP4
4	EX1	DUAL-LITE	XLRIVE	LED EXIT SIGN	LED
20	EX2	DUAL-LITE	LTRUV	LED EXIT SIGN/BATTERY UNIT	LED
9	EBU1	DUAL-LITE	L200-2W	BATTERY UNIT	LED
5	EBU1	DUAL-LITE	L215	BATTERY UNIT	LED
1	EBU2	DUAL-LITE	L290	BATTERY UNIT	LED
2	SM1	DUAL-LITE	L285W5005	SINGLE REMOVE HEAD	LED

FIXTURE SCHEDULE

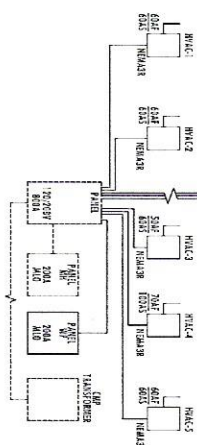
ORIENTATION:
↑ RISE ALARM AND SMOKE SYSTEMS BY OTHERS

LIGHTING & EXIT LEGEND

- 2' x 4' LIGHT FIXTURE
- 2' x 2' LIGHT FIXTURE
- RECESSED LIGHT FIXTURE
- ▣ RECESSED LIGHT FIXTURE - NON-HIGH-RISING
- ▤ FLOURESCENCE STRIP FIXTURE
- 58W T8 FLUORESCENCE LIGHT FIXTURE
- SINGLE POLE SWITCH - MOUNTED 48" AFF TO TOP
- THREE-WAY SWITCH - MOUNTED 48" AFF TO TOP
- PILOT SWITCH - MOUNTED 48" AFF TO TOP
- DIMMER SWITCH - MOUNTED 48" AFF TO TOP
- EXIT SIGN - WALL MOUNTED
- EXIT SIGN - CEILING MOUNTED
- EXIT SIGN/BATTERY UNIT - WALL MOUNTED
- EXIT SIGN/BATTERY UNIT - CEILING MOUNTED

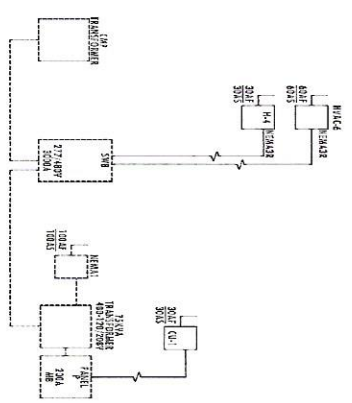
POWER LEGEND

- ⊕ DUPLEX CONVENIENCE RECEPTACLE - 1'8" AFF TO TOP
- ⊕ DUPLEX CONVENIENCE RECEPTACLE - 48" AFF TO TOP
- ⊕ GROUND FAULT INTERRUPTER RECEPTACLE
- ⊕ WEATHERPROOF GFI RECEPTACLE
- ⊕ RECESSED MOUNTED LIGHTING & POWER PANEL
- ⊕ DECONDUCT SWITCH
- ⊕ 45° CONNECT SWITCH
- ⊕ 45° DISCONNECT SWITCH SIZE



NOTE:
1. CERTAIN ELECTRICAL SERVICES, WIRING, AND EQUIPMENT
TO BE INSTALLED IN THIS RISER ARE TO REMAIN AND BE PROVIDED
BY OTHERS. THESE SERVICES WILL BE INSTALLED TO ACCOMMODATE THE ABOVE.

BUILDING ONE RISER



NOTE:
1. CERTAIN ELECTRICAL SERVICES, WIRING, AND EQUIPMENT
TO BE INSTALLED IN THIS RISER ARE TO REMAIN AND BE PROVIDED
BY OTHERS. THESE SERVICES WILL BE INSTALLED TO ACCOMMODATE THE ABOVE.

BUILDING TWO RISER

N3

N3

E2

Anthony Mancini, Inc.

1700 GARDEN AVENUE

ANN ARBOR, MI 48106

734.769.1111

www.anthonymancini.com

PROJECT NAME & ADDRESS:

NO. DATE DESCRIPTION

SHEET NAME: