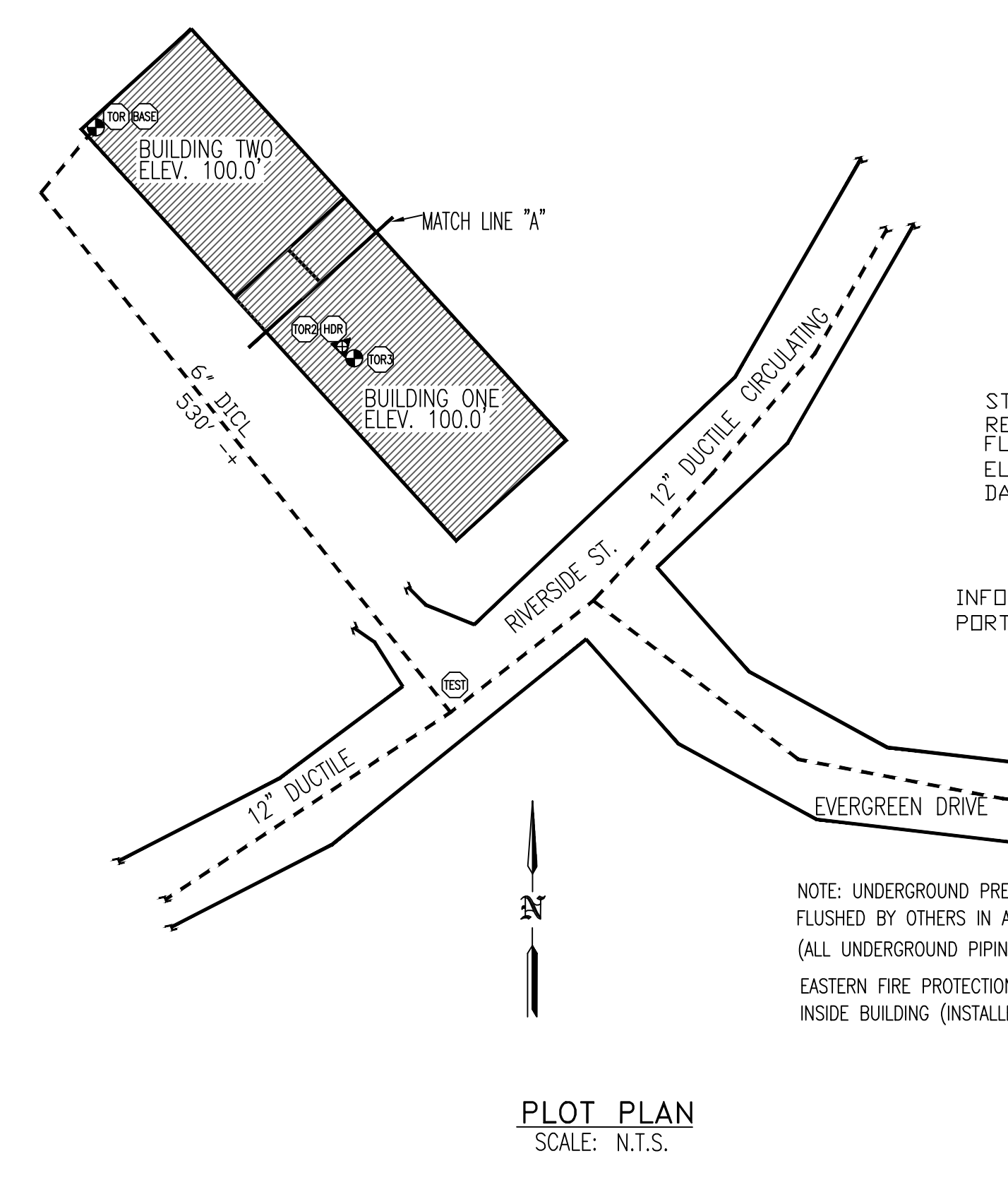
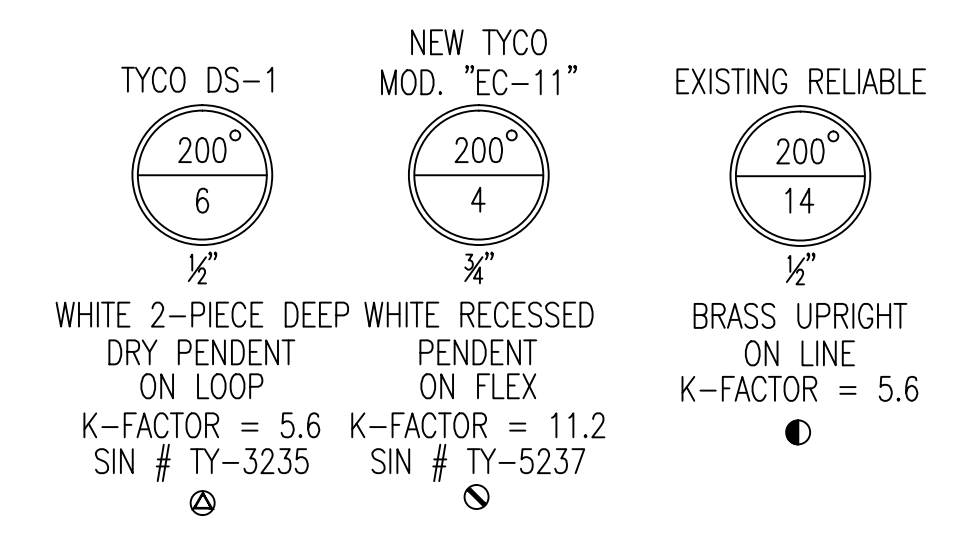


FIRE SPRINKLER PLAN - BUILDING TWO

SCALE: 1/8"=1'-0"
 AREA PROTECTED: 19,077 SQ.FT.
 FINISH FLOOR ELEVATION : 100'-0"
 COLOR CODE: WHITE



WATER DATA

STATIC:	86 PSI
RESIDUAL:	78 PSI
FLOW:	2250 GPM
ELEVATION:	100.0'
DATE:	9/25/08

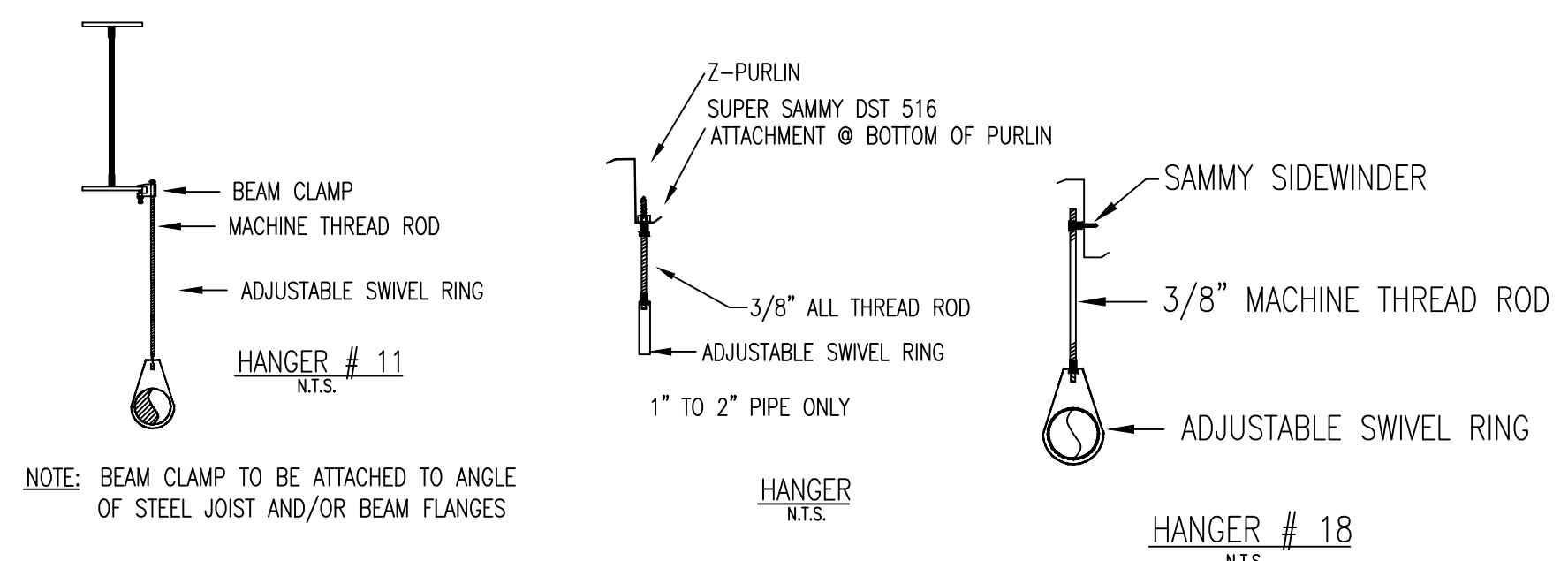
INFORMATION PROVIDED BY PORTLAND WATER DISTRICT

TEST (HYD. #1714)
 STATIC: 86
 RESIDUAL: 78
 ELEV.: 100'

PLOT PLAN
 SCALE: N.T.S.

GENERAL NOTES

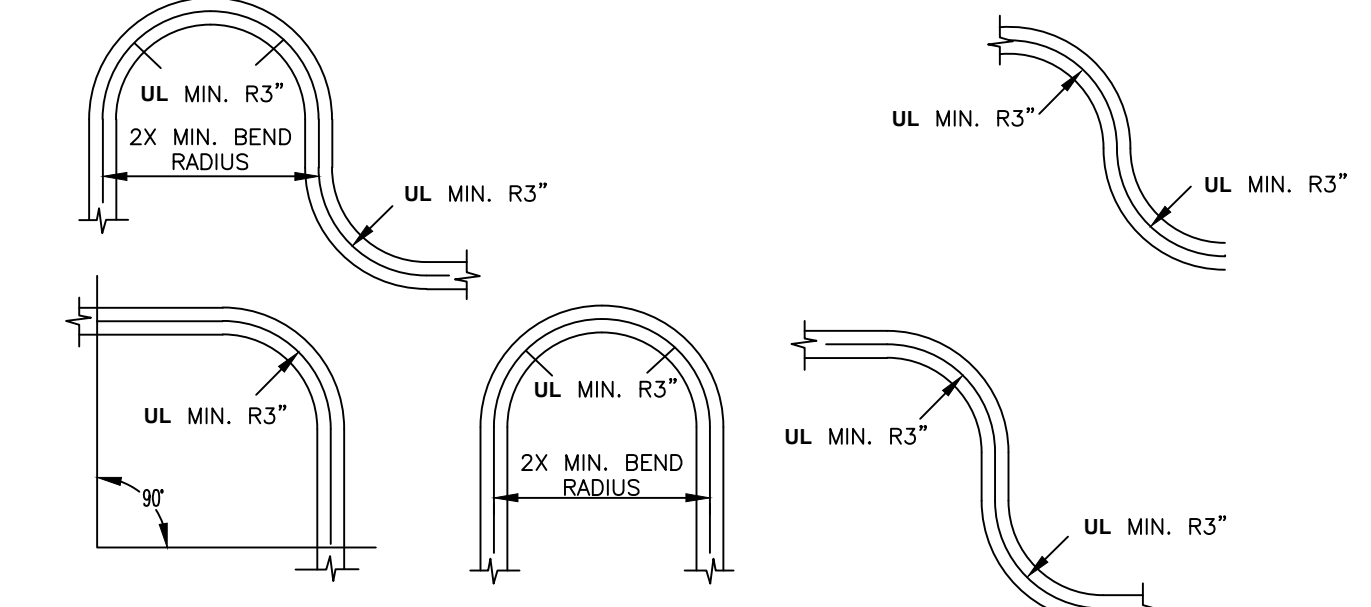
SCOPE OF WORK
 EXTEND EXISTING WET SPRINKLER SYSTEM IN 1000 RIVERSIDE BUILDING ONE & TWO TO ACCOMMODATE NEW FLOOR PLANS. EXISTING SPRINKLER PROTECTION IN ALL OTHER PORTIONS OF THE BUILDING TO REMAIN AS IS.
 NEW PRE-ACTION SYSTEM TO PROTECT ROOMS 104, 105 & 113, 114.
 ALL WIRING TO BE DONE BY OTHERS
 ALTHOUGH NOT SPECIFIED, SOME SPRINKLER HEADS HAVE BEEN SHOWN @ CENTERLINE OF TILE. ACTUAL ORIENTATION OF HEADS WITH RESPECT TO CEILING COMPONENTS WILL VARY ACCORDING TO FIELD CONDITIONS.
 SPRINKLER SYSTEM RENOVATION TO COMPLY WITH NFPA PAMPHLET # 13 2013 EDITION.
 ALL DIMENSIONS ARE SHOWN FOR GENERAL LOCATION OF SPRINKLER HEADS; PIPING MAY VARY TO SUIT ACTUAL FIELD CONDITIONS.
 ACoustical CEILING TILE (ACT) TO BE LISTED NON-COMBUSTIBLE WITH UL FLAME SPREAD OF LESS THAN 25.
 OCCUPANCY DESCRIPTION AND CLASSIFICATION:
 OFFICE AREAS: LIGHT HAZARD
 MECHANICAL & ELECTRICAL ROOM: ORDINARY HAZARD GROUP I
 STORAGE AREAS: ORDINARY HAZARD GROUP II
 STORAGE OF CLASS I-III COMMODITIES TO A MAXIMUM HEIGHT OF 12'-0"
 B.P. ⌋ INDICATES BOTTOM OF PURLEN TO CENTERLINE OF PIPE.
 F.F. ⌋ INDICATES FINISH FLOOR UP TO CENTERLINE OF PIPE.
 F.F. D. INDICATES FINISH FLOOR TO DECK
 INDICATES NEW SPRINKLER PIPE
 INDICATES EXISTING SPRINKLER PIPE
 A.S. = AUTOMATIC SPRINKLER
 DRY SYSTEM:
 SPRINKLER PIPE TO BE PITCHED PER NFPA 13 (2013) LINE PIPING TO BE PITCHED A MIN. OF 1/8" PER 10 FT. MAIN PIPING TO BE PITCHED A MIN. OF 1/4" PER 10 FT.
 A.S. = AUTOMATIC SPRINKLER



HANGER DETAILS
 NOT TO SCALE
 ALL HANGERS TO BE PROVIDED AND INSTALLED AS PER NFPA # 13
 3/8" ROD FOR 1" TO 4" PIPE
 1/2" ROD FOR 5" TO 8" PIPE

LENGTH OF FLEXIBLE HOSE INCHES	OUTLET SIZE INCHES	EQUIVALENT LENGTH OF 1" SCH'D 40 PIPE WHERE C=120 FEET	MAXIMUM NUMBER OF BENDS
25"	3/4"	25'	2
30"	3/4"	30'	2
40"	3/4"	40'	3
45"	3/4"	45'	3
50"	3/4"	50'	3
60"	3/4"	60'	3
71"	3/4"	71'	3

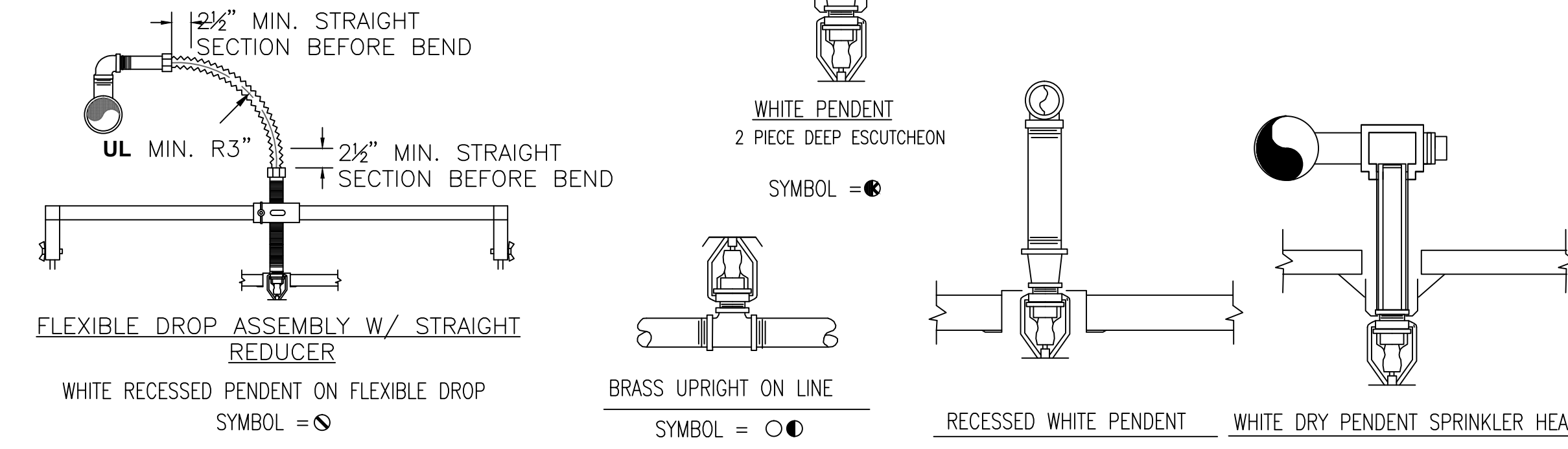
FRICION LOSS DATA FOR UNBRAIDED SPRINKFLEX SFN48H PER UL LISTING



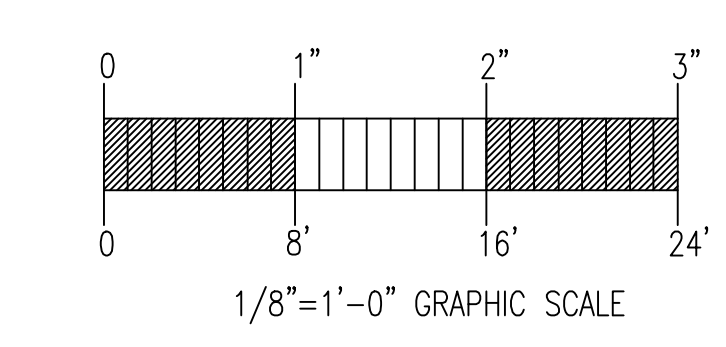
- MAXIMUM WORKING PRESSURE:
* 200PSI
- MAXIMUM AMBIENT TEMPERATURE:
* 300T / 107C
- MAXIMUM BEND RADIUS:
* 3" (UL LISTING FOR UNBRAIDED HOSE)
- MAXIMUM NUMBER OF 90° BENDS PER FLEXIBLE HOSE:
UL APPROVAL - NUMBER OF MAXIMUM 90° BENDS AT 3" & 3
- MAXIMUM K-FACTOR OF SPRINKLER TO BE CONNECTED TO REDUCING NEEL:
* K10 FOR 1/2"
* K11.2 FOR 3/4"
- * DO NOT INSTALL SPRINKLER PIPING THRU HEATING DUCT.
* DO NOT CONNECT SPRINKLER SYSTEM PIPING TO DOMESTIC HOT WATER SYSTEMS.
* DO NOT BEND OR FLUCTUATE UP-AND-DOWN OR SIDE-TO-SIDE WHEN SYSTEM IS PRESSURIZED FOR TESTING.
* THE FLEXIBLE HOSE SHOULD NOT BE BENT WITHIN 2X OF THE CONNECTION NUT AT BOTH ENDS.

SPRINKFLEX HOSE BEND CHARACTERISTICS

NOTE: FOR OUT-OF-PLANE (THREE DIMENSIONAL) BENDS, CARE MUST BE TAKEN TO AVOID IMPARTING TORQUE ON THE HOSE



HEAD DETAILS
 SCALE: N.T.S.



GENERAL NOTES	DATE	REVISIONS	REQUIRED APPROVALS	1000 RIVERSIDE 1000 RIVERSIDE ST. PORTLAND, MAINE	FIRE SPRINKLER PLANS & DETAILS DWG. NO. 1 OF 3
SPRINKLER SYSTEM INSTALLATION TO COMPLY WITH NFPA PAMPHLET # 13 (2013) NEW BRANCH LINE PIPING (1 1/2"-1 1/4") TO BE BLACK SCH. # 40 JOINED BY THREADED DUCTILE IRON FITTINGS NEW MAIN & LINE PIPING (1 1/2"-4") TO BE SCH. # 10 BLACK WITH GROOVED ENDS & WELDED OUTLETS JOINED BY MECHANICAL COUPLINGS OWNER TO PROVIDE SUFFICIENT HEAT THROUGHOUT BUILDING TO PREVENT FREEZING OF WATER FILLED SPRINKLER PIPING AND EQUIPMENT.			OWNER / ARCHITECT STATE FIRE MARSHAL PORTLAND FIRE DEPT. DRAWN BY RJP NICET LEVEL CERT.# CHECKED BY WAF NICET LEVEL III CERT.# 095575 CONTRACTOR LICENSE # 101 CONTRACTOR RMS # 368		