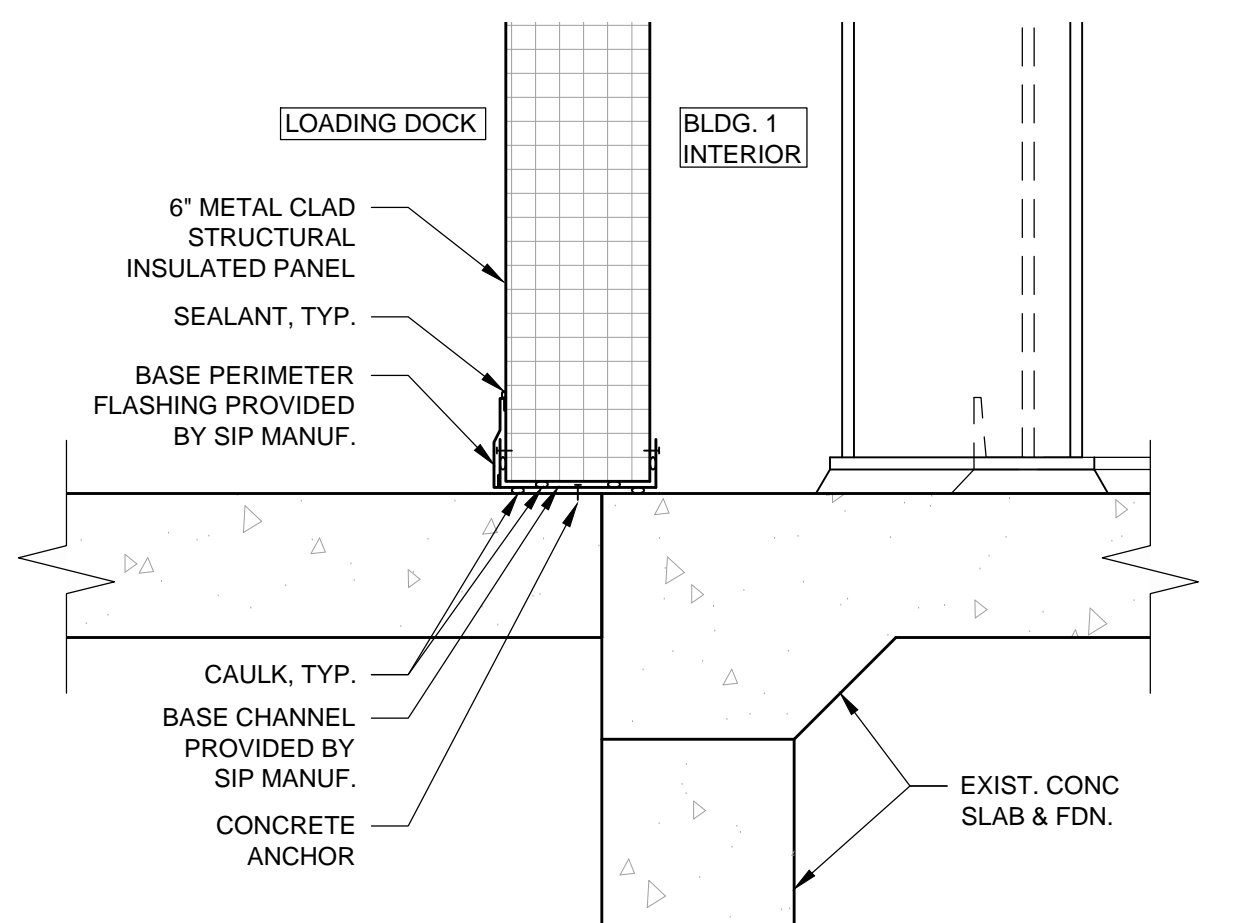
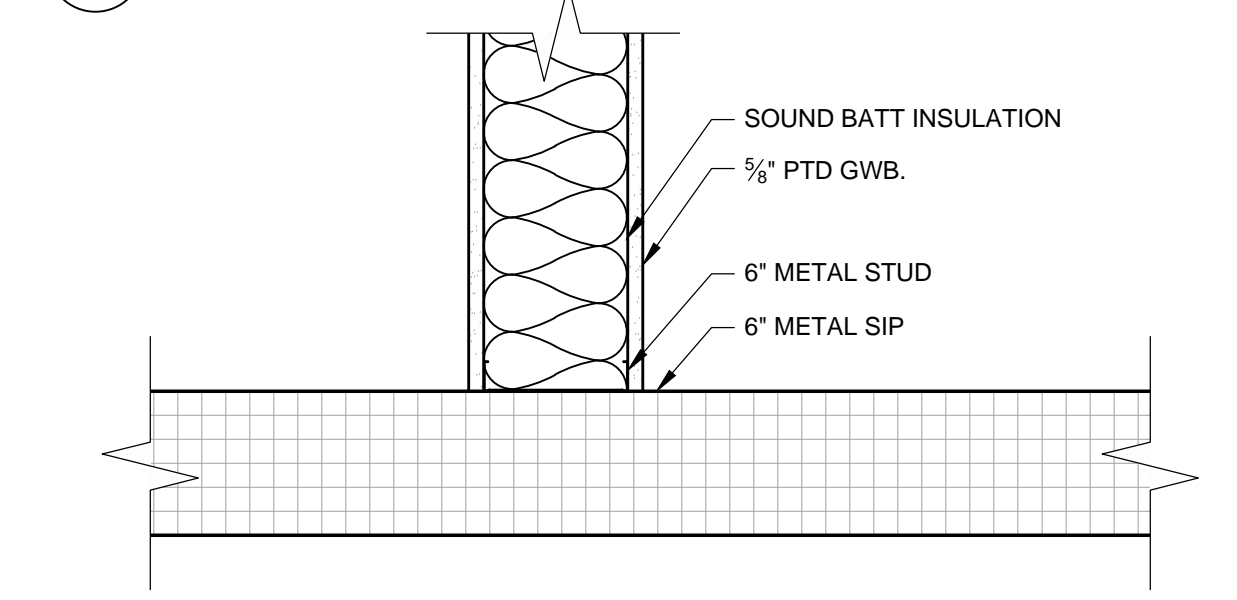


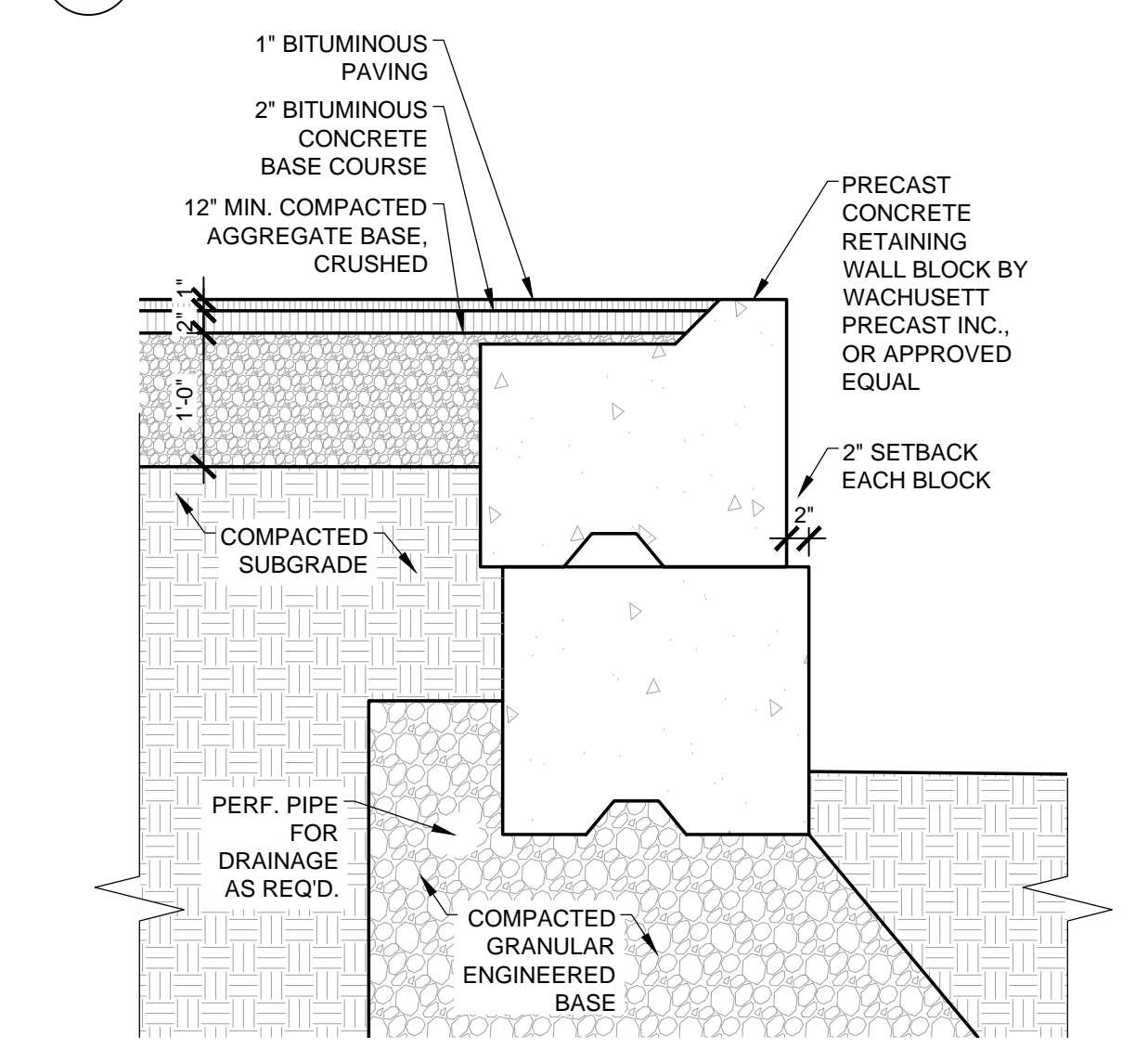
7 SECTION DETAIL - AT BEAM INTERSECTION
SCALE: 1 1/2" = 1'-0"



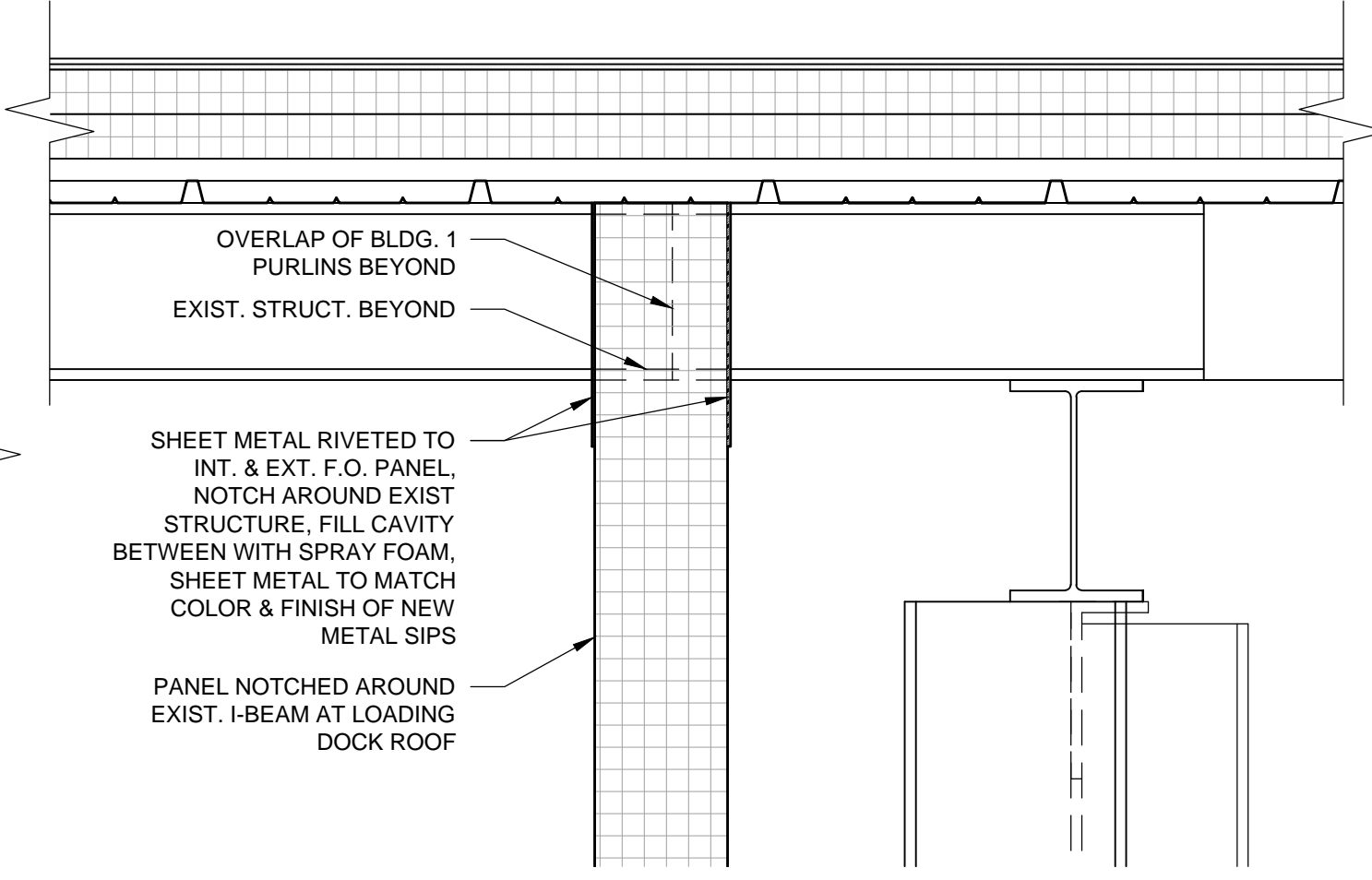
8 SECTION DETAIL - SIP BASE AT LOADING DOCK
SCALE: 1 1/2" = 1'-0"



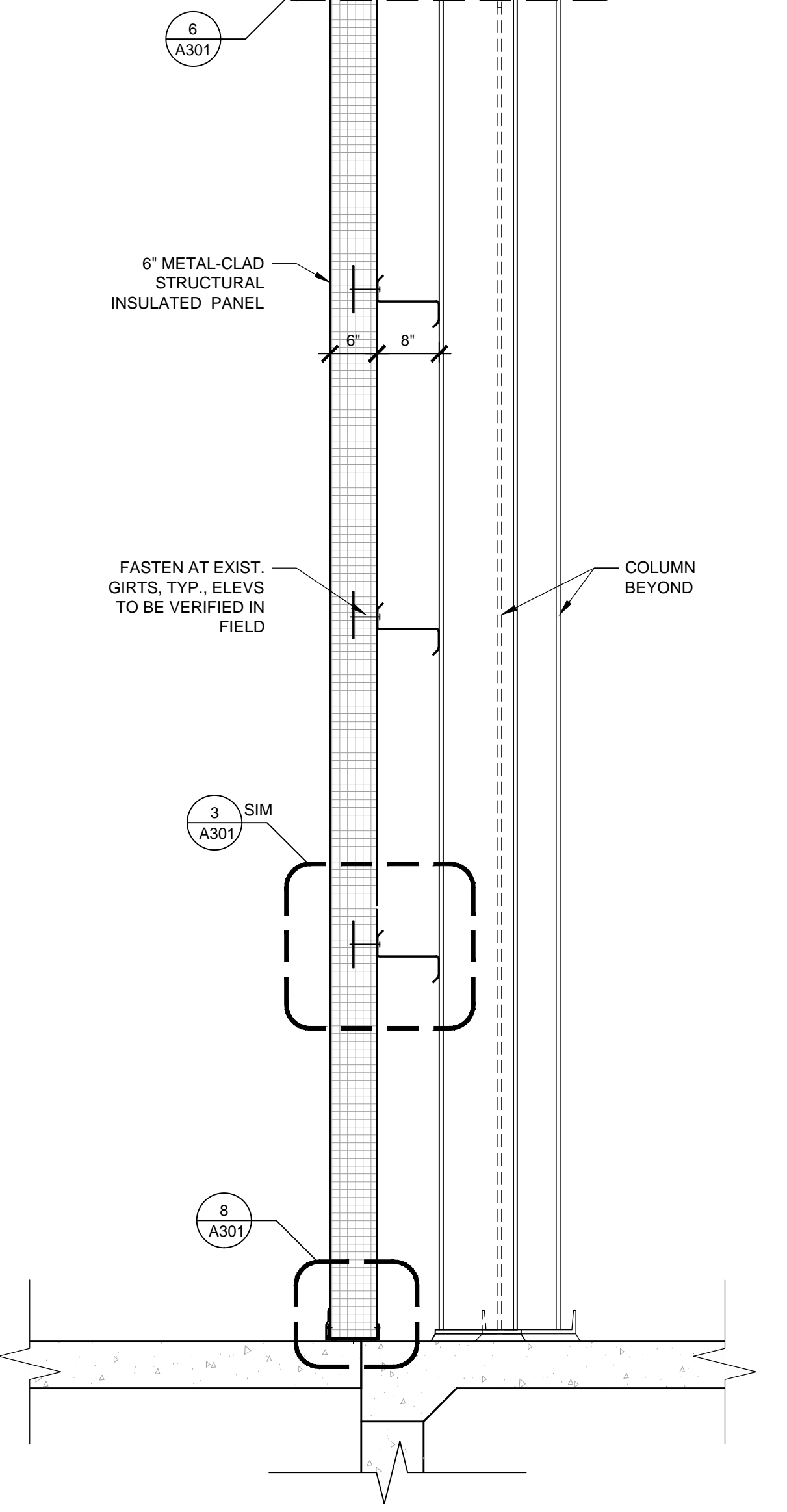
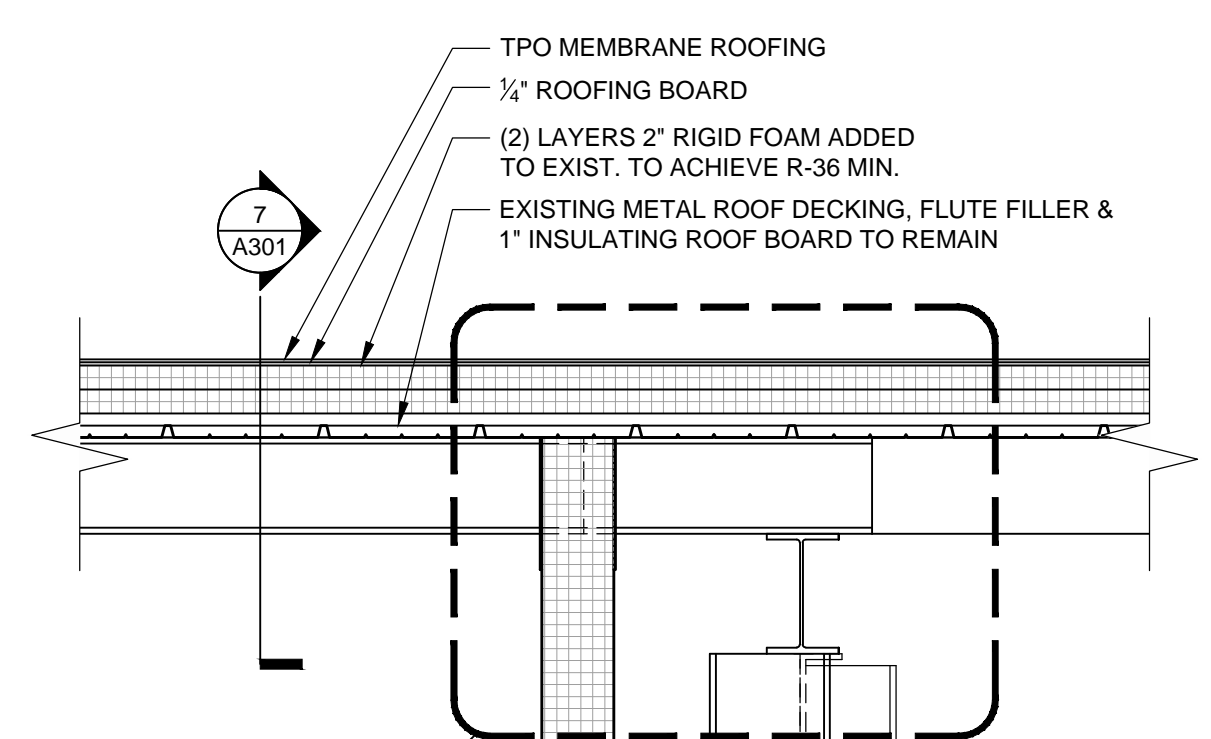
9 PLAN DETAIL - INTERIOR WALL/SIP INTERSECTION
SCALE: 1 1/2" = 1'-0"



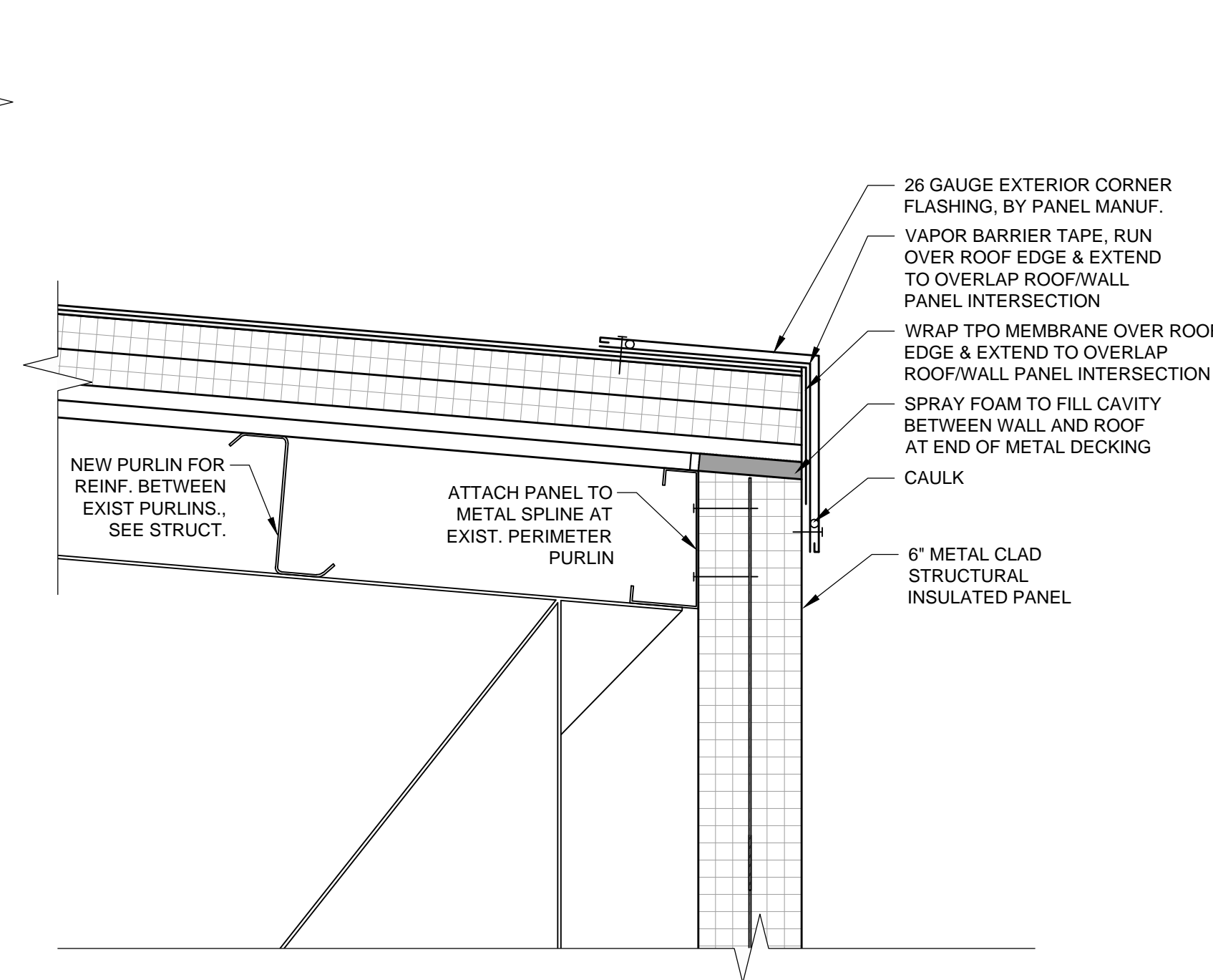
10 SECTION DETAIL AT RETAINING WALL
SCALE: 1 1/2" = 1'-0"



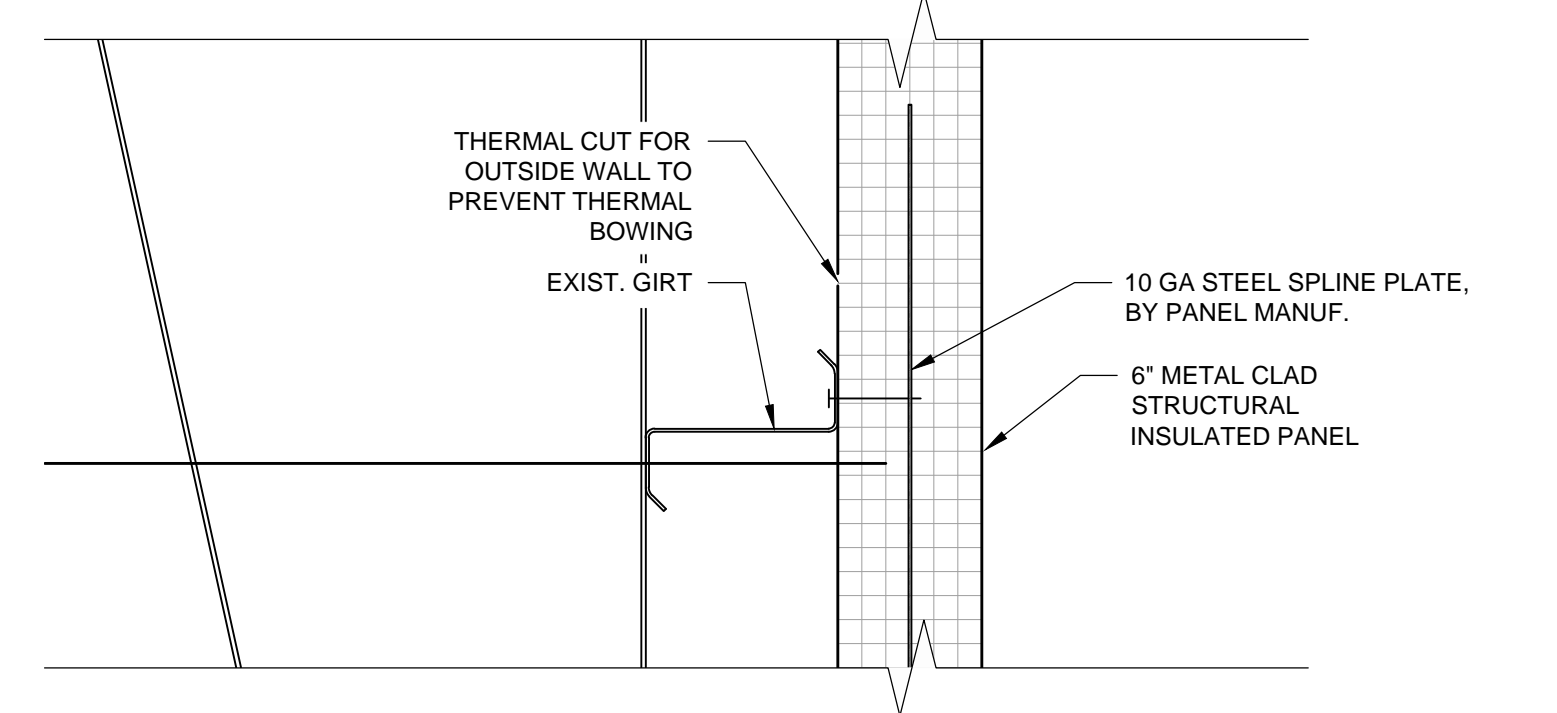
6 SECTION DETAIL - AT BEAM INTERSECTION
SCALE: 1 1/2" = 1'-0"



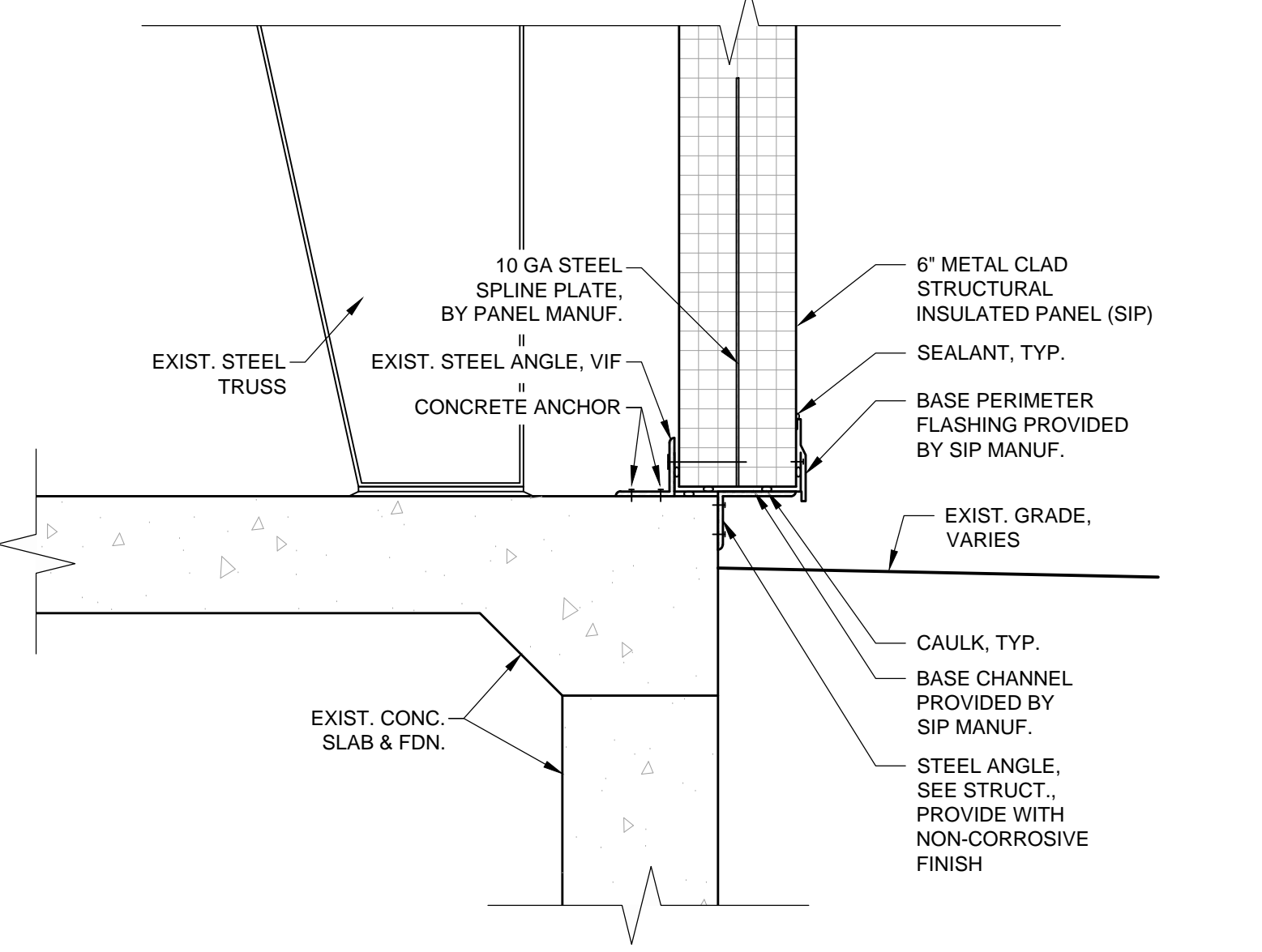
5 GABLE END WALL SECTION - BUILDING 1
SCALE: 3/4" = 1'-0"



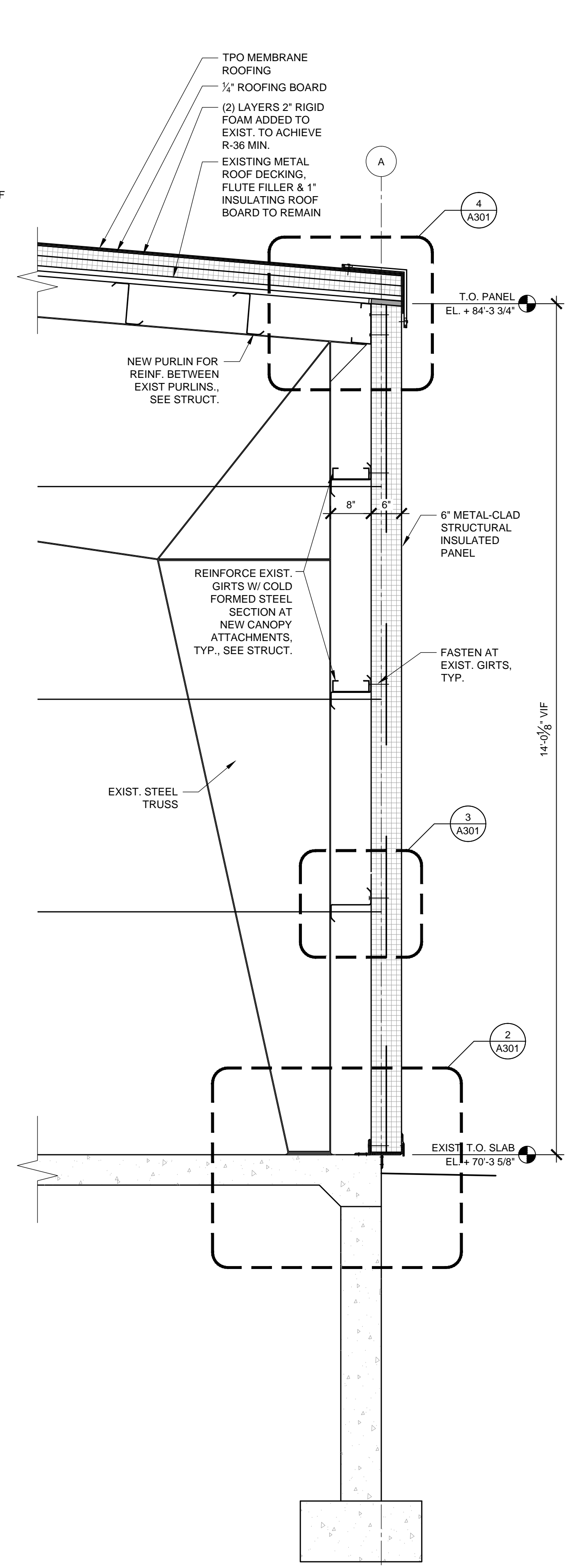
4 SECTION DETAIL - AT ROOF INTERSECTION
SCALE: 1 1/2" = 1'-0"



3 SECTION DETAIL - AT GIRT
SCALE: 1 1/2" = 1'-0"



2 SECTION DETAIL - AT FOUNDATION
SCALE: 1 1/2" = 1'-0"



1 TYPICAL WALL SECTION - BUILDING 1
SCALE: 3/4" = 1'-0"

PROJECT NAME:
1000 RIVERSIDE

RENOVATIONS
PORTLAND, MAINE

SEAL:

THIS DRAWING IS THE PROPERTY OF SCOTT SIMONS ARCHITECTS (SSA) AND IS NOT TO BE COPIED OR REPRODUCED IN PART OR WHOLE
2012 © SCOTT SIMONS ARCHITECTS, LLC

REVISION:

| | |
|--|--|
| | |
| | |
| | |
| | |

DATE OF ISSUE: NOVEMBER 13, 2013
PROJECT NUMBER: 2013-0190 1000 RIVERSIDE
STATUS: ISSUE FOR PERMITTING

WALL SECTIONS & DETAILS

A301