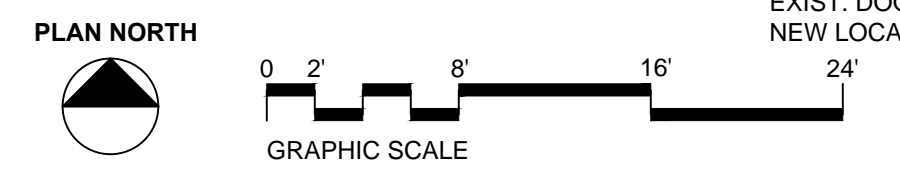


1 FLOOR PLAN - BUILDING 1
SCALE: 1/8" = 1'-0"



DOOR SCHEDULE

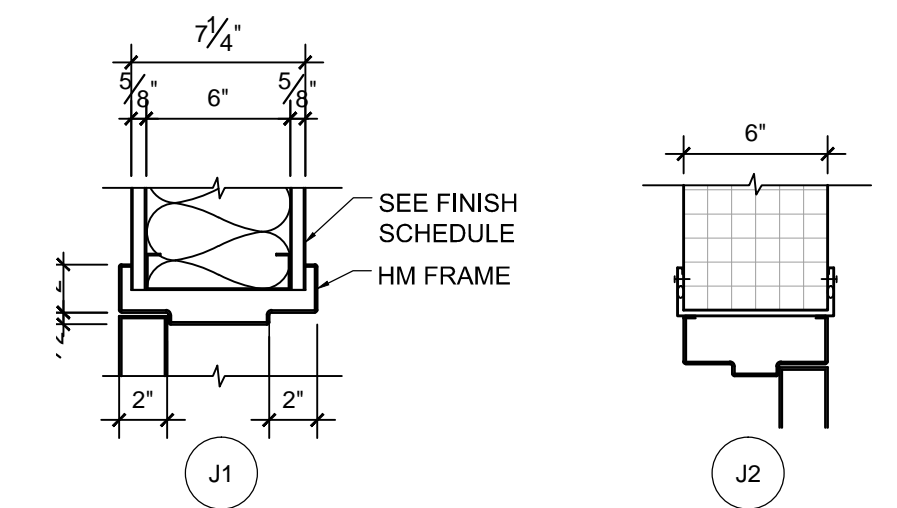
MARK	LOCATION	DESCRIPTION	WIDTH	HEIGHT	THICK	MATERIAL	TYPE	FRAME MATERIAL	TYPE	HEAD	JAMB	HARDWARE	FIRE LABEL	REMARKS
100A	100	FLUSH HM	3'-0"	7'-0"	1 3/4"	HM	D2	HM	F1	H1	J1			
101A	101	FLUSH HM	6'-0"	8'-0"	1 3/4"	HM	D3	HM	F2	H1	J1			
102A	102	FLUSH HM	3'-0"	7'-0"	1 3/4"	HM	D2	HM	F1	H1	J1			
103A	103	FLUSH HM	3'-0"	7'-0"	1 3/4"	HM	D2	HM	F1	H1	J1			
104A	104	FLUSH HM	6'-0"	8'-0"	1 3/4"	HM	D3	HM	F2	H1	J1			FULLY INSULATED & GASKETED
105A	105	FLUSH HM	6'-0"	8'-0"	1 3/4"	HM	D3	HM	F2	H1	J1			FULLY INSULATED & GASKETED
105B	105	FLUSH HM	6'-0"	8'-0"	1 3/4"	HM	D3	HM	F2	H1	J1			FULLY INSULATED & GASKETED
106A	106	FLUSH HM	3'-0"	7'-0"	1 3/4"	HM	D1	HM	F1	H1	J1			
108A	108	HM	F2	H1	J1			FRAME ONLY, NO DOOR PANELS
109A	109	HM	F2	H1	J1			FRAME ONLY, NO DOOR PANELS
111A	111	FLUSH HM	6'-0"	8'-0"	1 3/4"	HM	D3	HM	F2	H1	J1			
112A	112	FLUSH HM	6'-0"	8'-0"	1 3/4"	HM	D3	HM	F2	H1	J1			
112B	112	FLUSH HM	6'-0"	8'-0"	1 3/4"	HM	D3	HM	F2	H1	J1			
113A	113	FLUSH HM	6'-0"	8'-0"	1 3/4"	HM	D3	HM	F2	H1	J1			
113B	113	EXTERIOR HM DOOR	3'-0"	7'-0"	1 3/4"	HM	D1	HM	F1	H2	J2	PANIC		FULLY INSULATED & GASKETED
114A	114	FLUSH HM	6'-0"	8'-0"	1 3/4"	HM	D3	HM	F2	H1	J1			FULLY INSULATED & GASKETED
115A	115	FLUSH HM	6'-0"	8'-0"	1 3/4"	HM	D3	HM	F2	H1	J1			
116A	116	EXTERIOR HM DOOR	6'-0"	8'-0"	1 3/4"	HM	D3	HM	F2	H2	J2	PANIC		FULLY INSULATED & GASKETED
117A	117	EXTERIOR HM DOOR	3'-0"	7'-0"	1 3/4"	HM	D1	HM	F1	H2	J2			FULLY INSULATED & GASKETED
117B	117	EXTERIOR HM DOOR	3'-0"	7'-0"	1 3/4"	HM	D1	HM	F1	H2	J2			FULLY INSULATED & GASKETED
117C	117	OVERHEAD DOOR	10'-0"	10'-0"		GALVANIZED	D4							
117D	117	OVERHEAD DOOR	8'-0"	8'-0"		GALVANIZED	D4							
118A	118	EXTERIOR HM DOOR	3'-0"	7'-0"	1 3/4"	HM	D2	HM	F1	H2	J2	PANIC		FULLY INSULATED & GASKETED
118B	118	FLUSH HM	6'-0"	8'-0"	1 3/4"	HM	D3	HM	F2	H1	J1			
119A	119	FLUSH HM	6'-0"	7'-0"	1 3/4"	HM	D3	HM	F2	H1	J1			

NOTES:
1. INSTALL PANIC HARDWARE ON ALL EXTERIOR DOORS THAT ARE TO BE REUSED 2. PROVIDE HEAD OR FOOT BOLT FOR INACTIVE LEAF AT ALL DOUBLE DOORS 3. ALL INTERIOR & EXTERIOR DOUBLE DOORS TO HAVE CLOSER WITH BUILT IN HOLD OPEN FEATURE

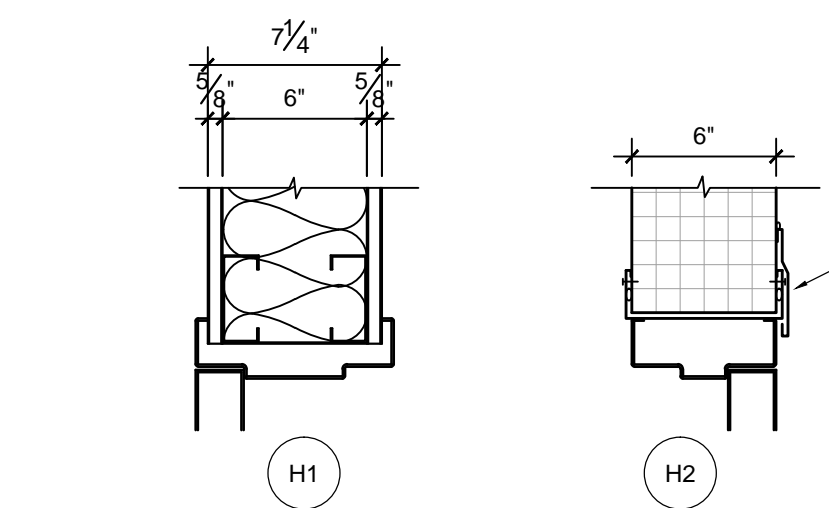
EXIST. WINDOWS TO BE REMOVED, SALVAGED AND REINSTALLED IN NEW INSUL. METAL PANEL SKIN, EXTEND JAMBS AS REQ'D TO FINISH EXIST OPENING AT FURRED OUT INTERIOR GWB WALL

NEW CONC. PAD, 5'-0"X5'-0"

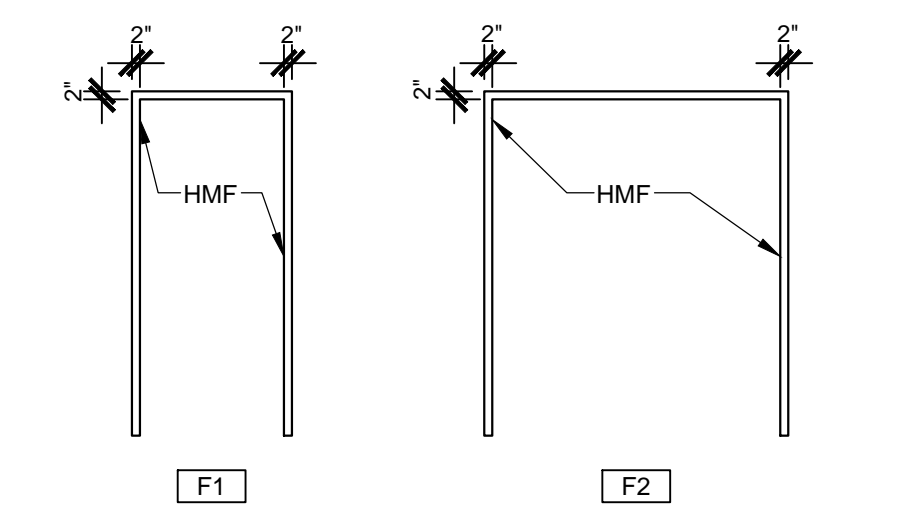
SALVAGED WINDOWS FROM NORTH SIDE OF BLDG. TO BE REINSTALLED IN NEW INSUL. METAL PANEL SKIN, MATCH LOCATION OF EXIST. WINDOWS



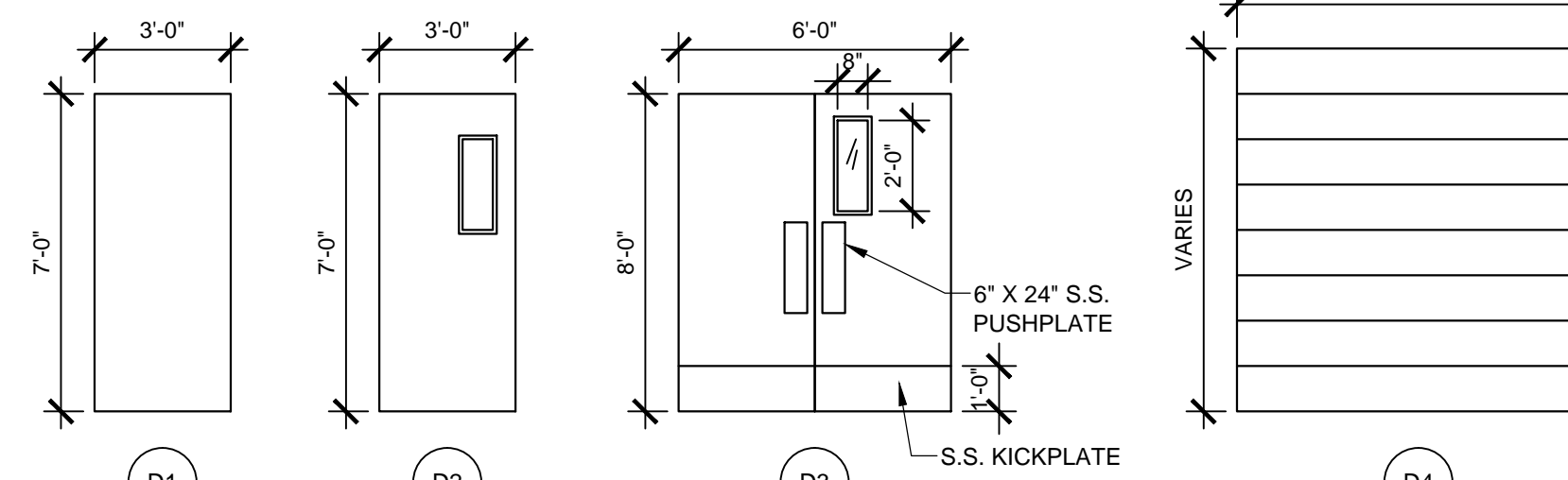
2 JAMB TYPES
SCALE: 1 1/2" = 1'-0"



3 HEAD TYPES
SCALE: 1 1/2" = 1'-0"



4 FRAME TYPES
SCALE: 1/4" = 1'-0"



5 DOOR TYPES
SCALE: 1/4" = 1'-0"

GENERAL PLAN NOTES:
1. ALL DIMENSIONS FROM FACE OF FRAMING AT NEW & EXIST. INTERIOR WALLS, AND FROM FACE OF FINISH AT SIPS, UNLESS OTHERWISE NOTED
2. AT BLDG 1, ALL DIMENSIONS FROM FACE OF FRAMING, INTERIOR FINISH FACE OF METAL SIPS AND FACE OF FINISH WHEN TAKEN FROM EXISTING WALLS

PROJECT NAME:
1000 RIVERSIDE

RENOVATIONS
PORTLAND, MAINE

SEAL:

THIS DRAWING IS THE PROPERTY OF SCOTT SIMONS ARCHITECTS (SSA) AND IS NOT TO BE COPIED OR REPRODUCED IN PART OR WHOLE
2012 © SCOTT SIMONS ARCHITECTS, LLC

REVISION:

DATE OF ISSUE: NOVEMBER 13, 2013

PROJECT NUMBER: 2013-0190 1000 RIVERSIDE

STATUS: ISSUE FOR PERMITTING

FLOOR PLAN & SCHEDULES