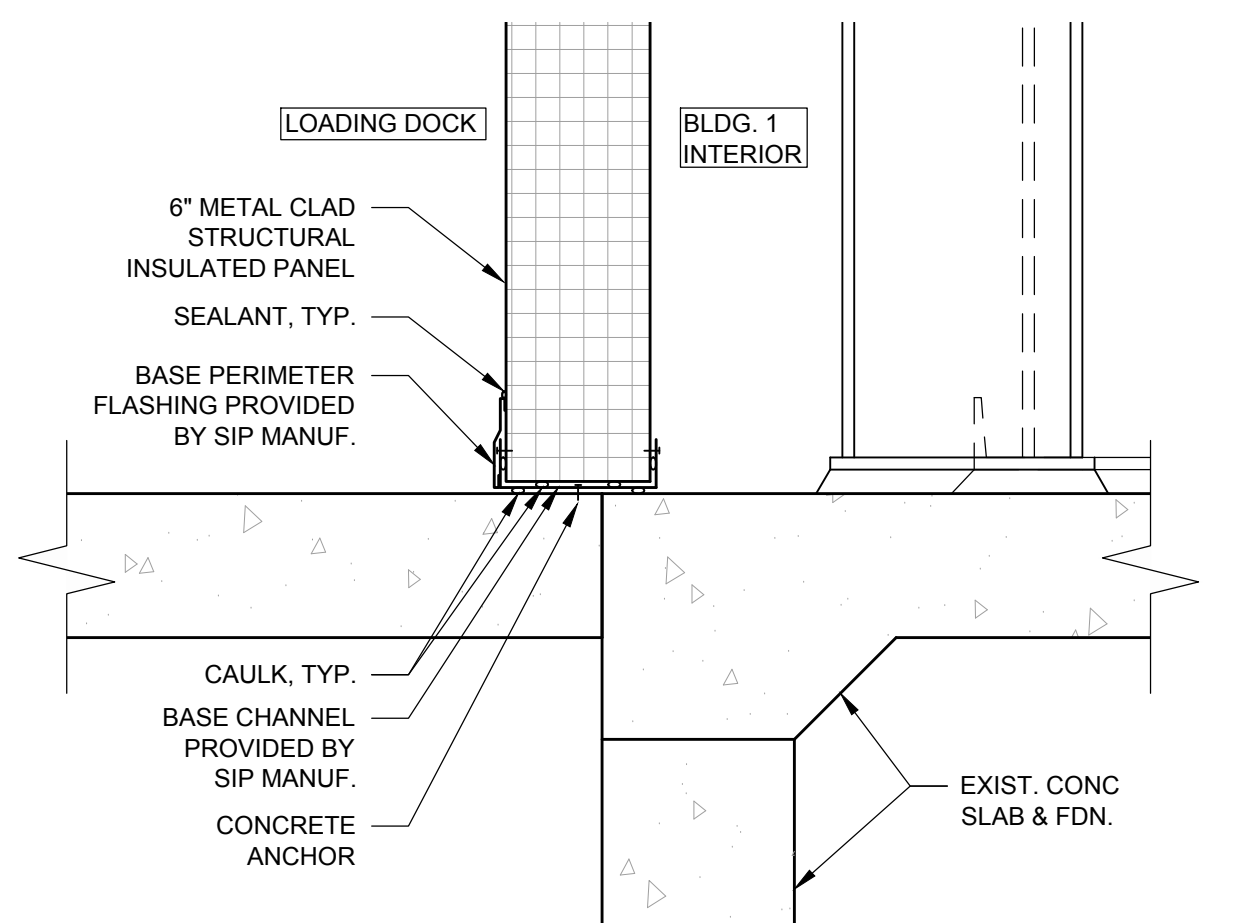
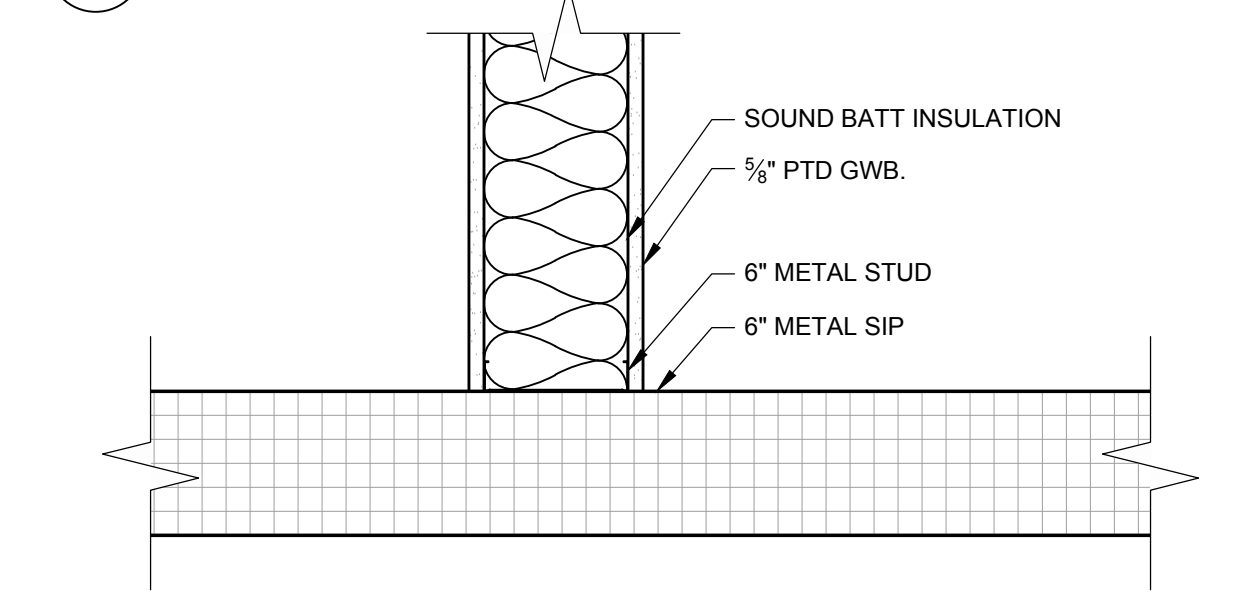


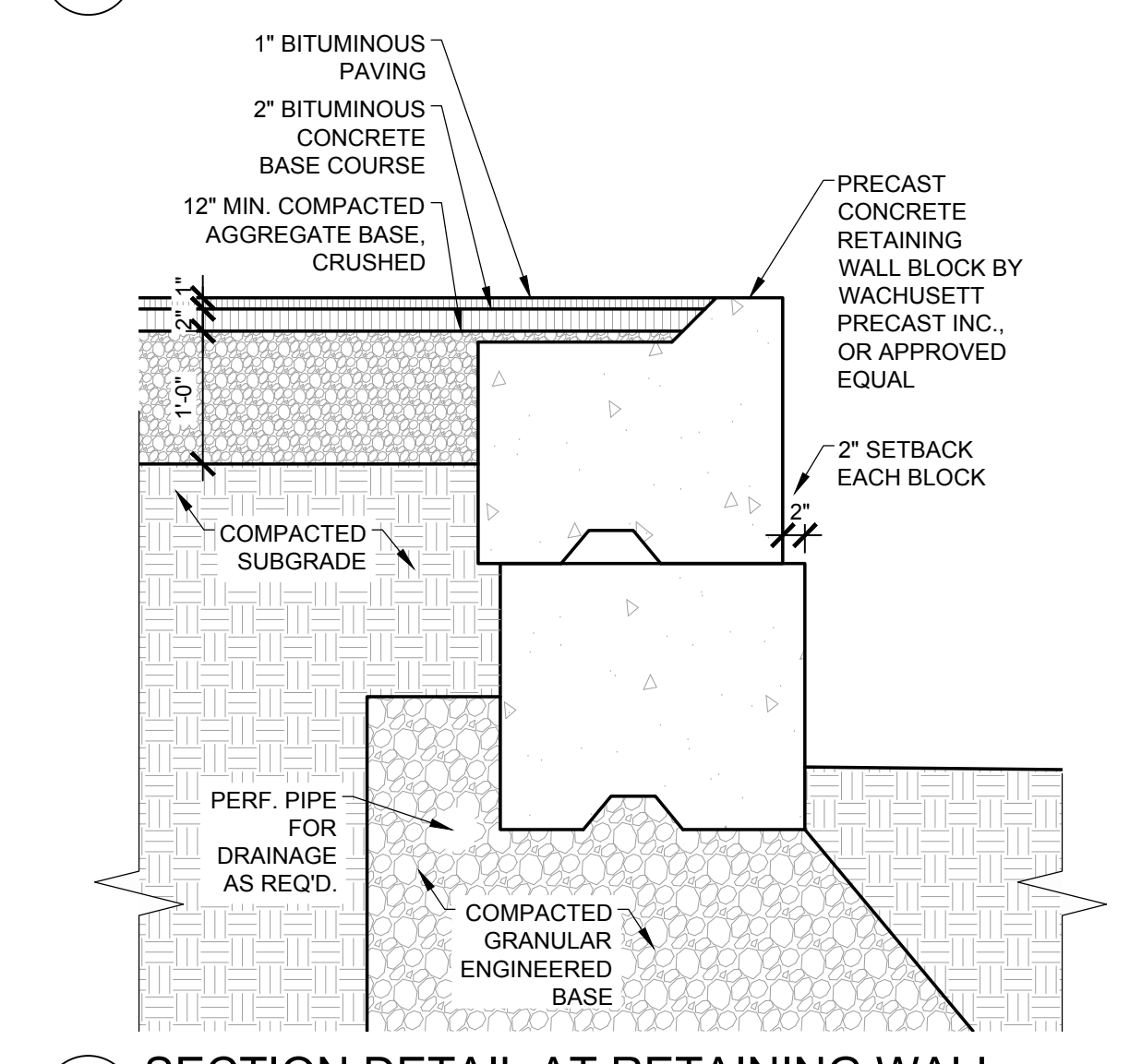
7 SECTION DETAIL - AT BEAM INTERSECTION  
SCALE: 1 1/2" = 1'-0"



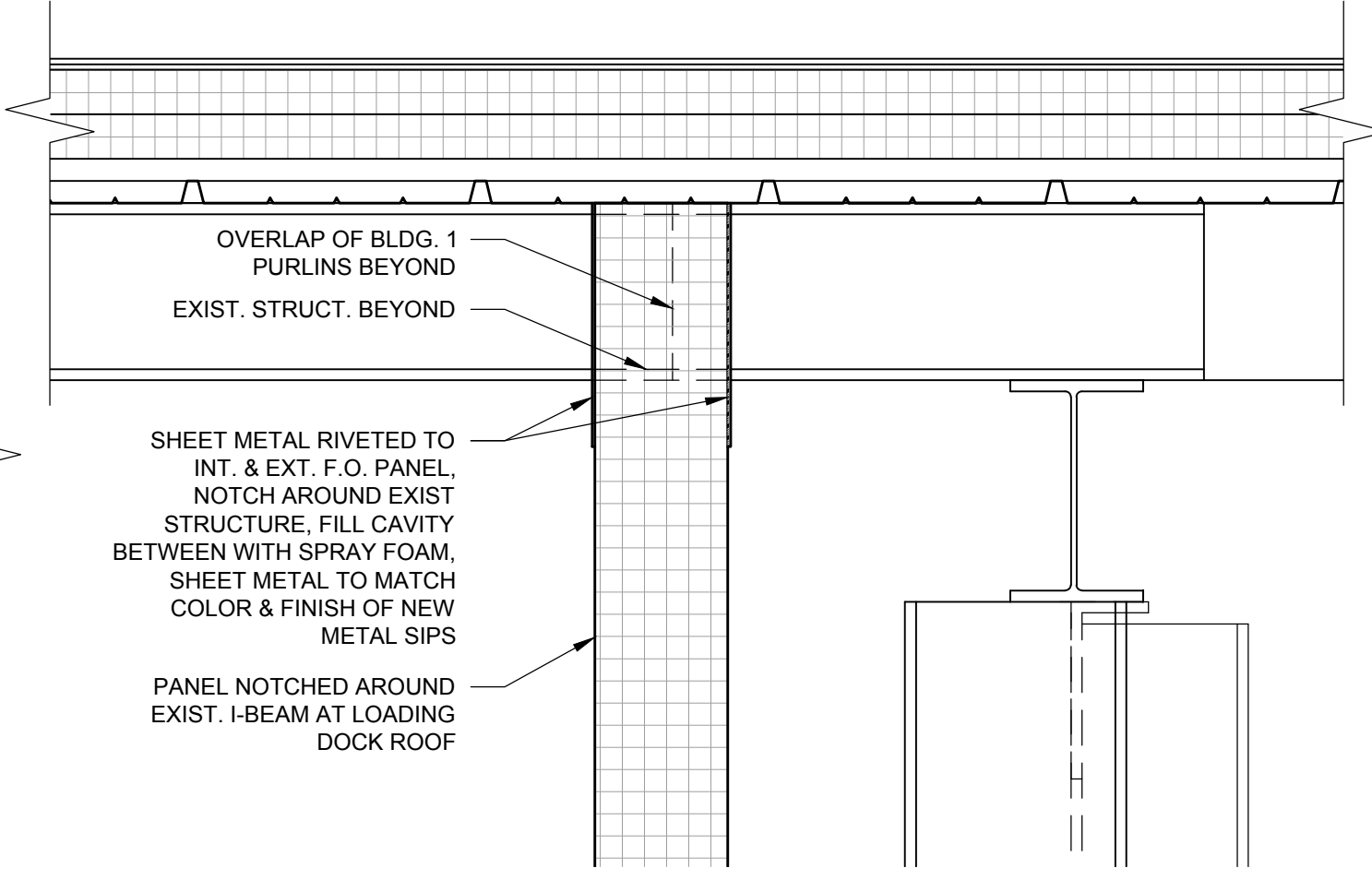
8 SECTION DETAIL - SIP BASE AT LOADING DOCK  
SCALE: 1 1/2" = 1'-0"



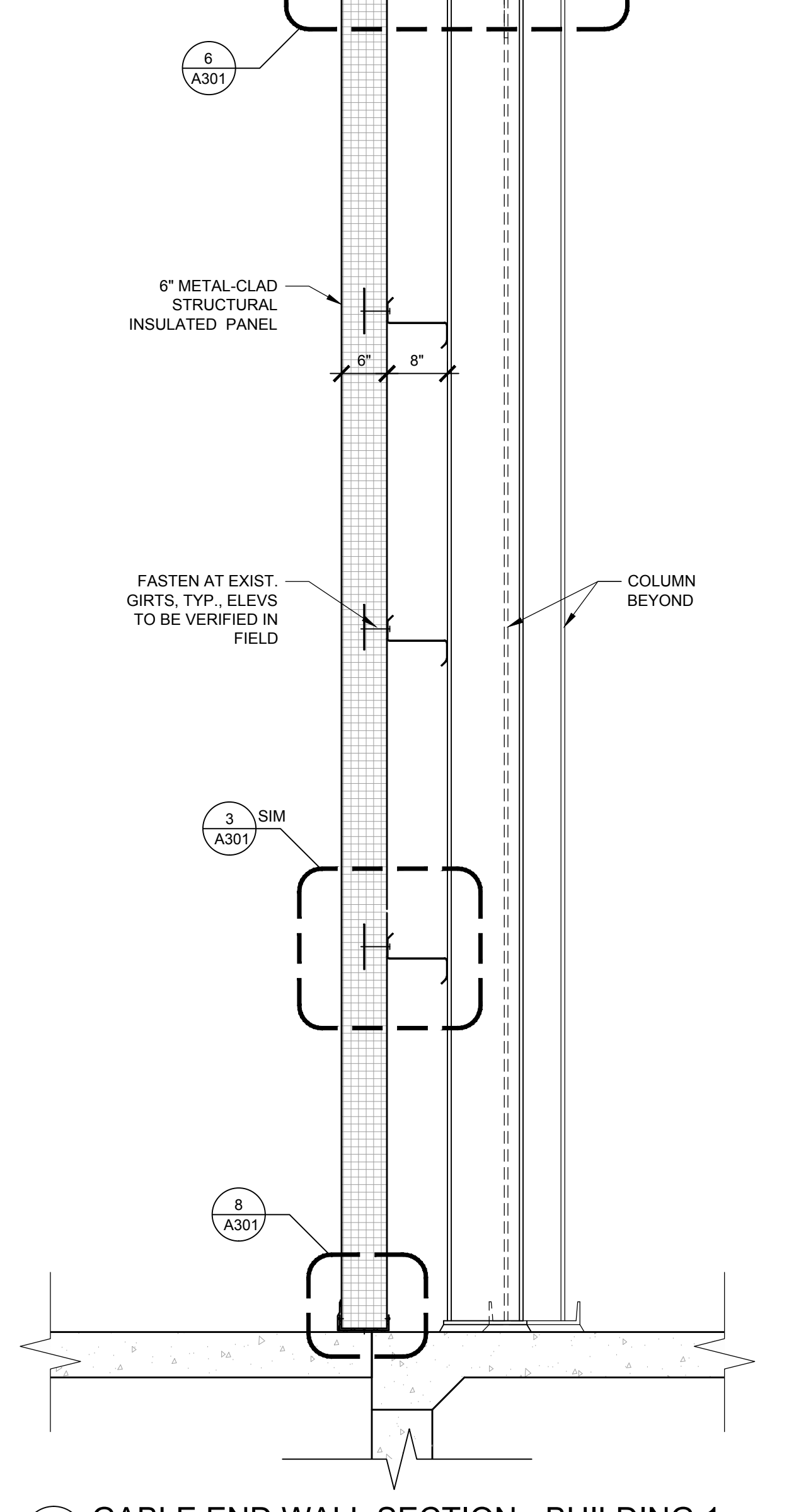
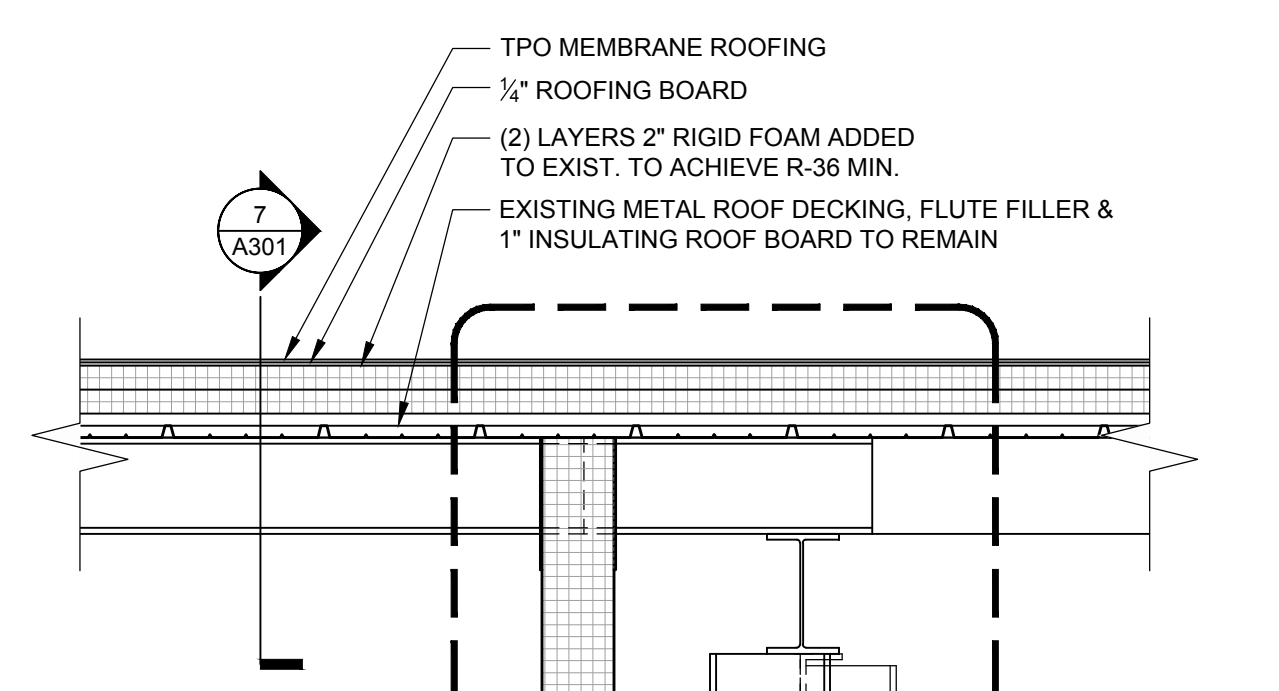
9 PLAN DETAIL - INTERIOR WALL/SIP INTERSECTION  
SCALE: 1 1/2" = 1'-0"



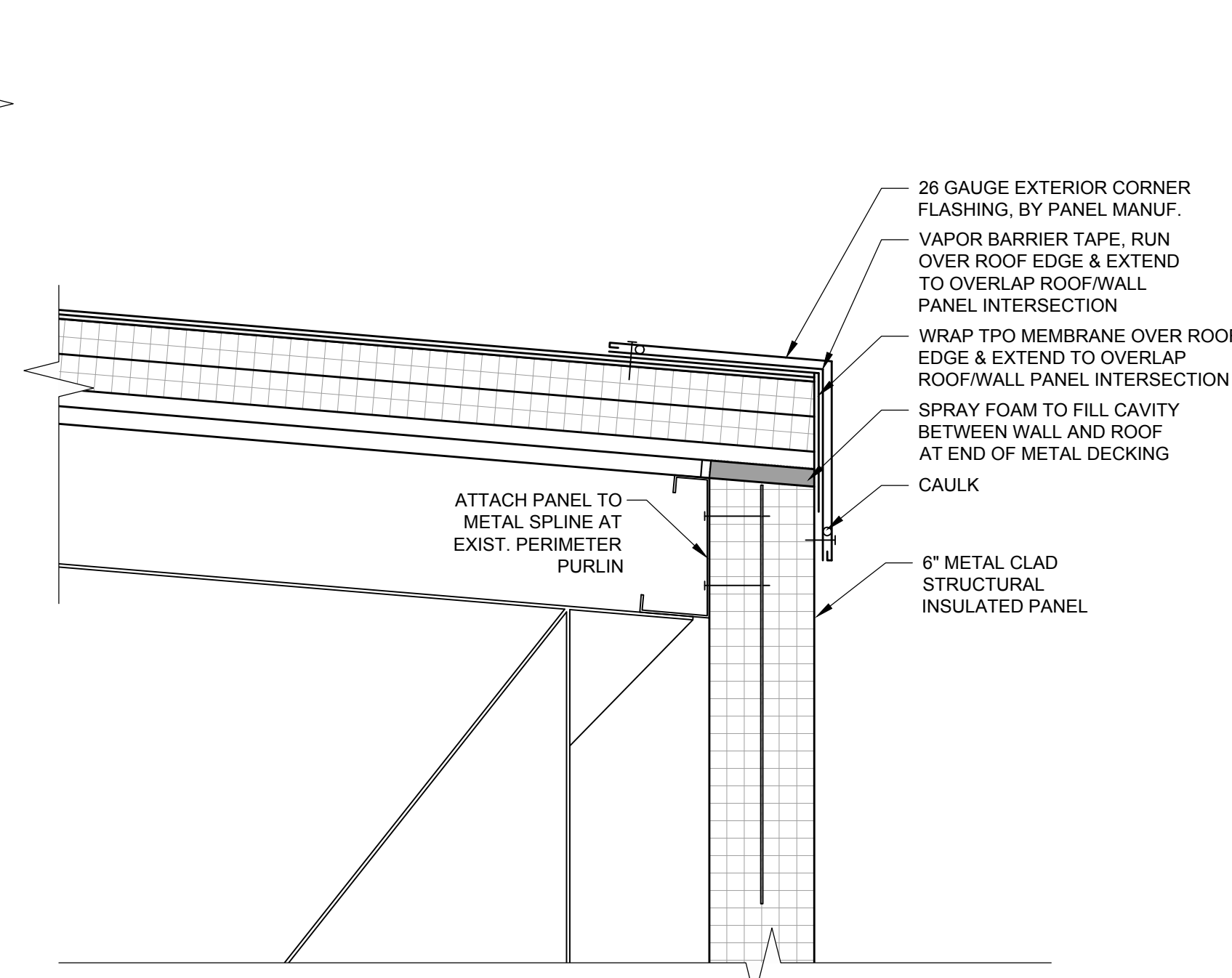
10 SECTION DETAIL AT RETAINING WALL  
SCALE: 1 1/2" = 1'-0"



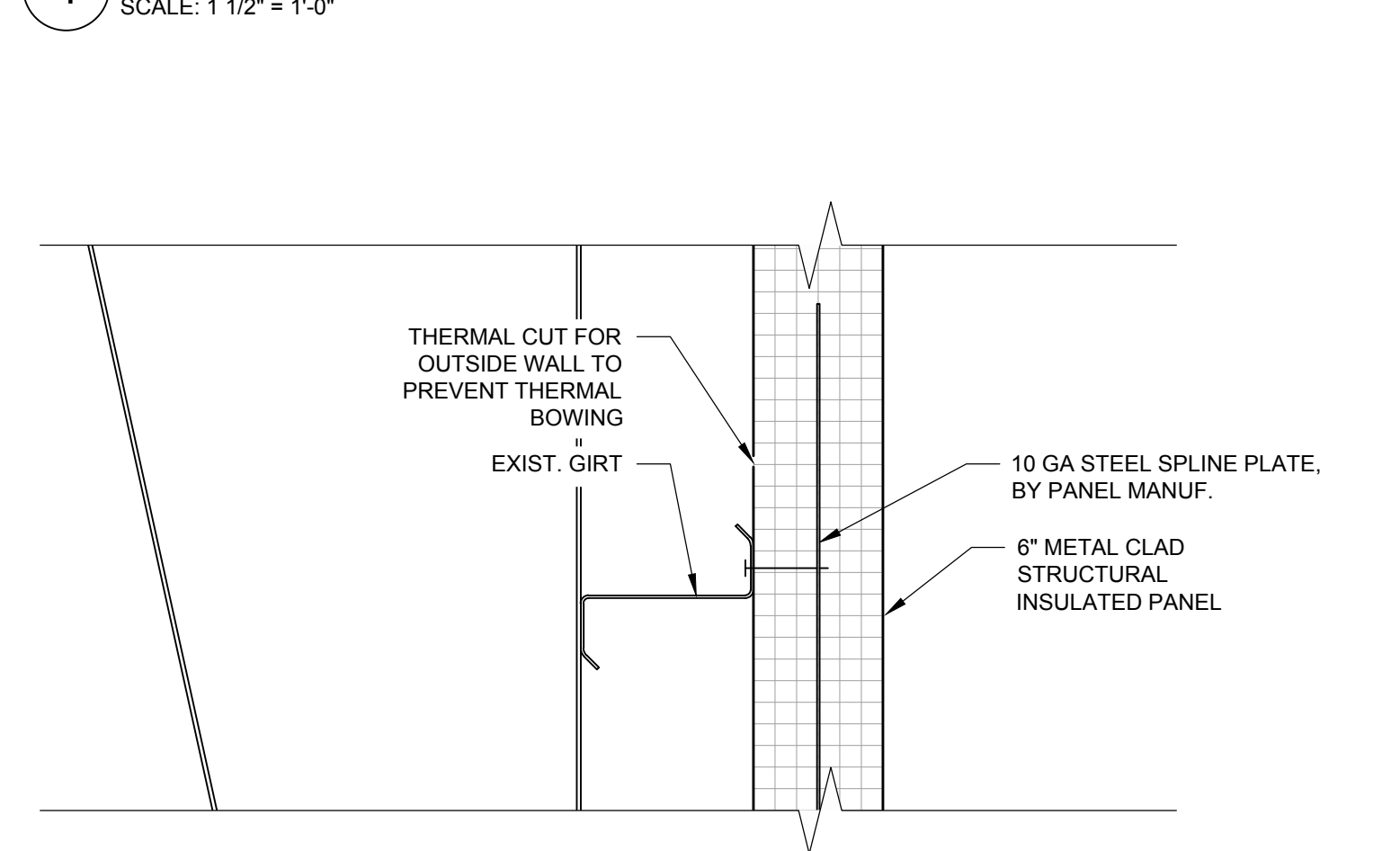
6 SECTION DETAIL - AT BEAM INTERSECTION  
SCALE: 1 1/2" = 1'-0"



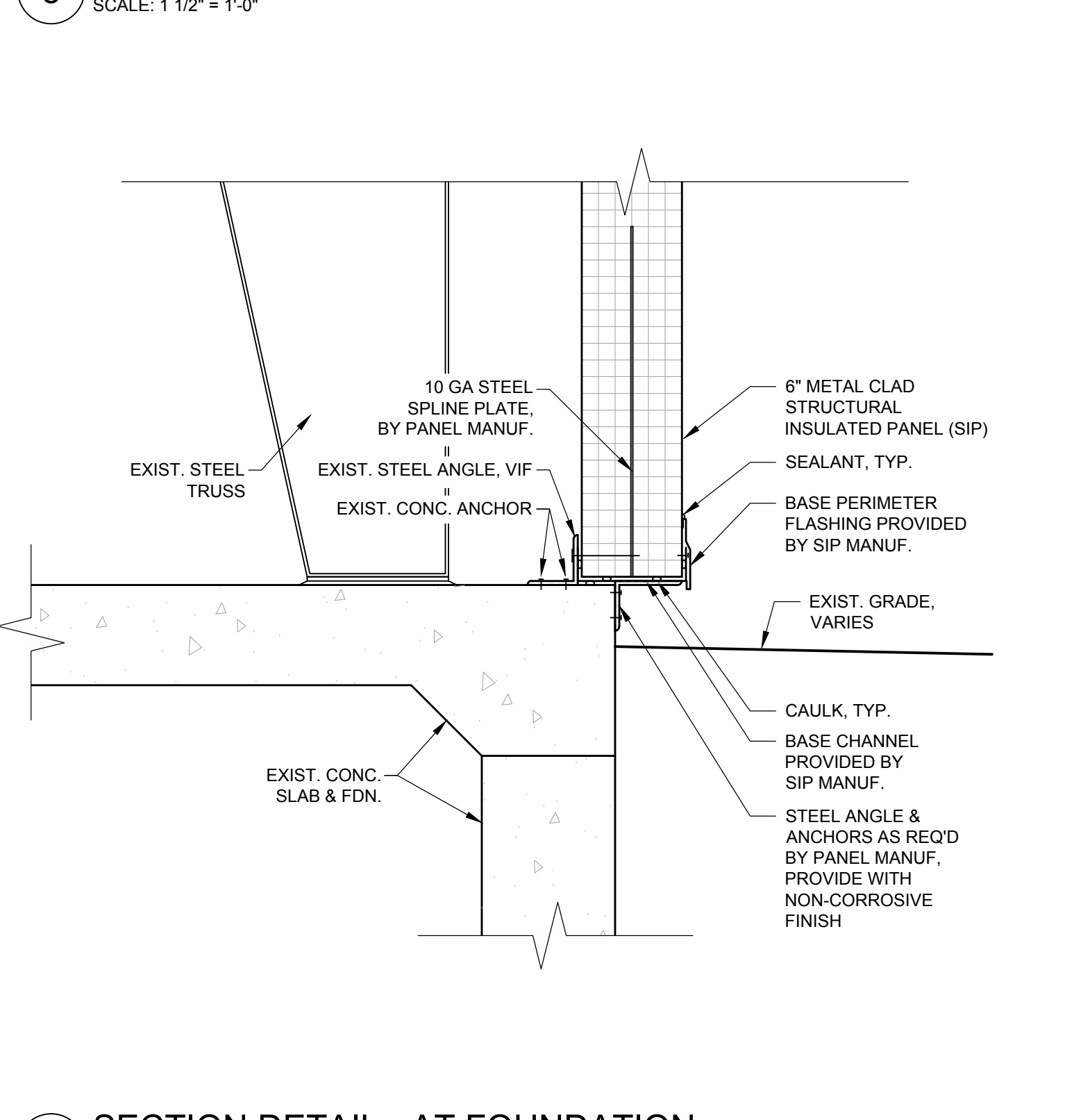
5 GABLE END WALL SECTION - BUILDING 1  
SCALE: 3/4" = 1'-0"



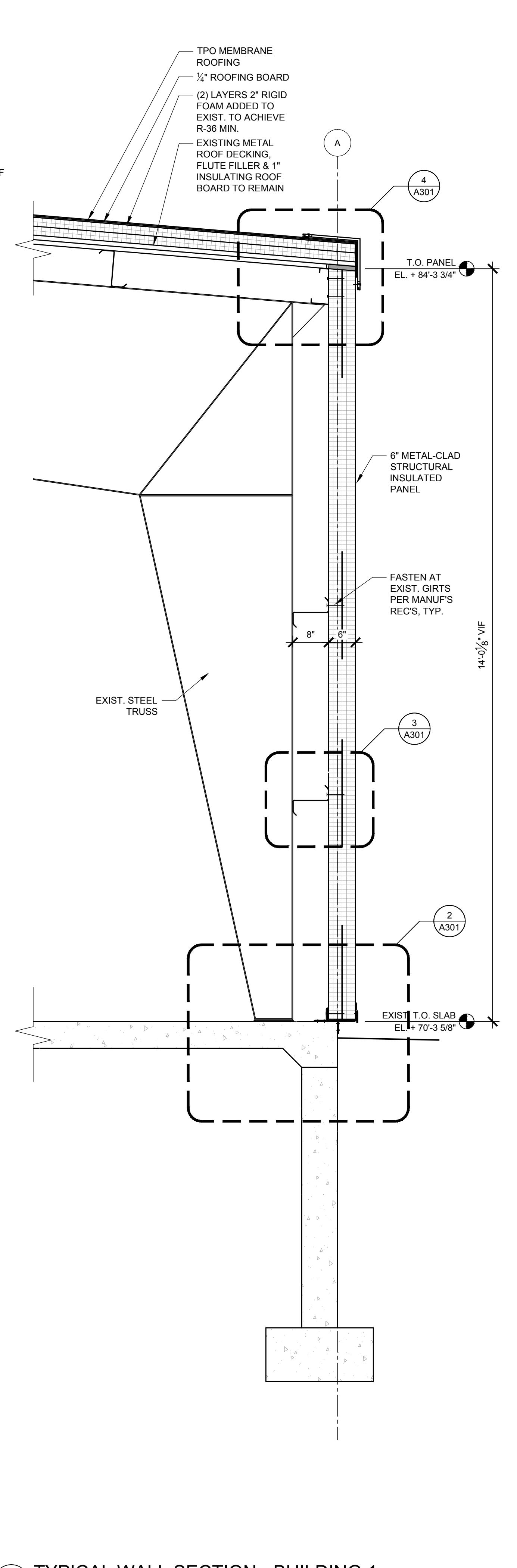
4 SECTION DETAIL - AT ROOF INTERSECTION  
SCALE: 1 1/2" = 1'-0"



3 SECTION DETAIL - AT GIRT  
SCALE: 1 1/2" = 1'-0"



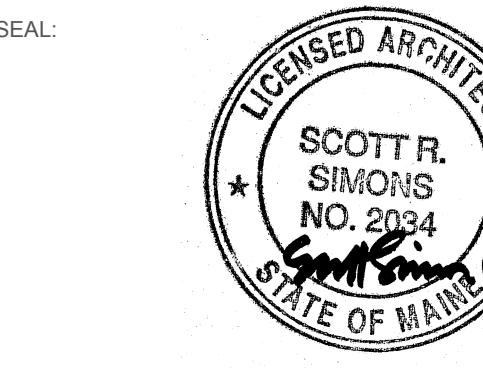
2 SECTION DETAIL - AT FOUNDATION  
SCALE: 1 1/2" = 1'-0"



1 TYPICAL WALL SECTION - BUILDING 1  
SCALE: 3/4" = 1'-0"

PROJECT NAME:  
**1000 RIVERSIDE**

RENOVATIONS  
PORTLAND, MAINE



THIS DRAWING IS THE PROPERTY OF SCOTT SIMONS ARCHITECTS (SSA) AND IS NOT TO BE COPIED OR REPRODUCED IN PART OR WHOLE 2012 © SCOTT SIMONS ARCHITECTS, LLC

REVISION:


DATE OF ISSUE: NOVEMBER 20, 2013  
PROJECT NUMBER: 2013-0190 1000 RIVERSIDE  
STATUS: ISSUE FOR CONSTRUCTION

**WALL SECTIONS & DETAILS**

**A301**