

Stephen W. Weatherhead

HVAC & plumbing Engineering:
MECHANICAL SYSTEMS ENGINEERS

Electrical Engineering:
SWIFT CURRENT ENGINEERING

Food Service Design Consultant:
TJM CONSULTING

Riverside Golf Course - North Course Club House Renovations

Riverside Street
Portland, Maine

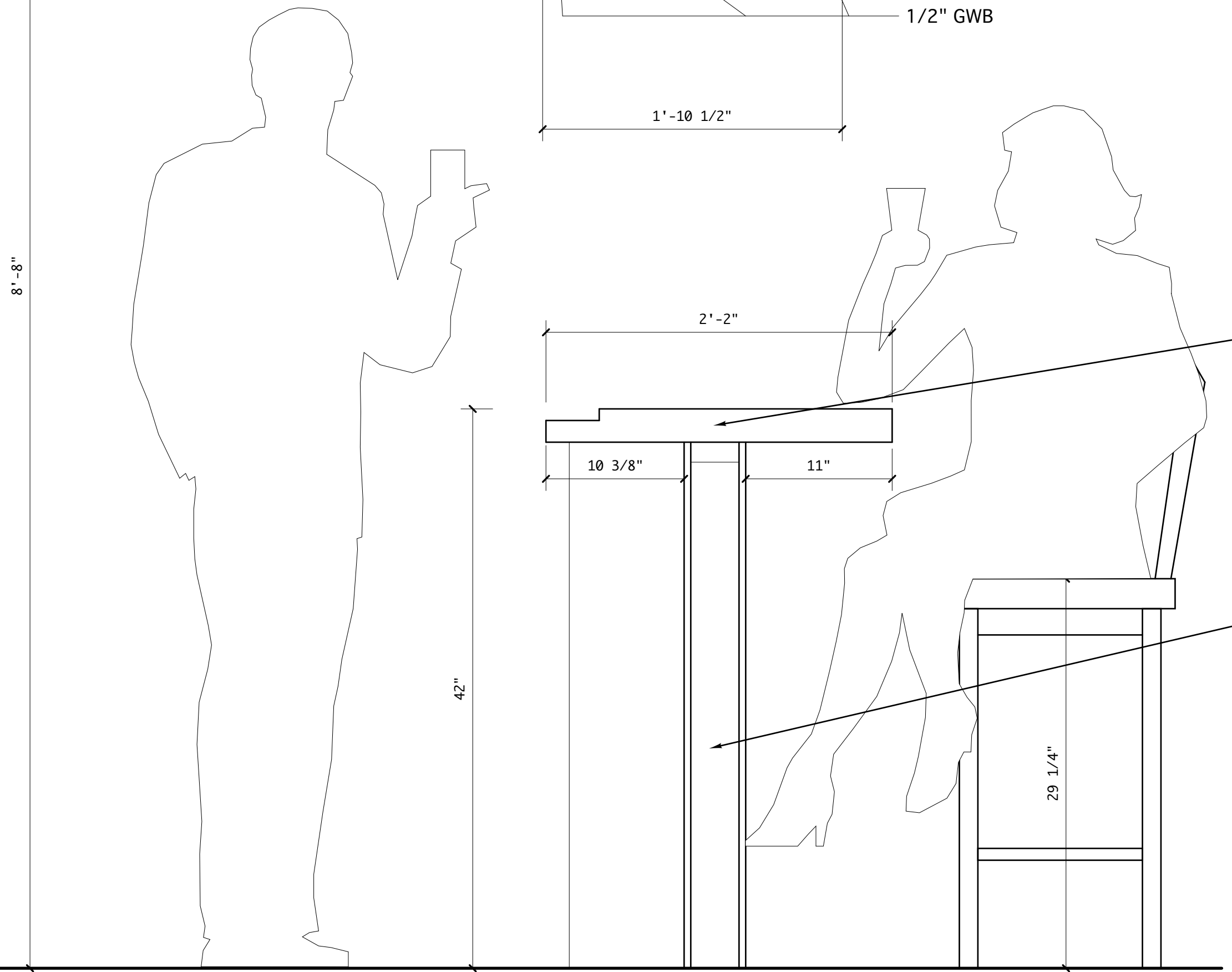
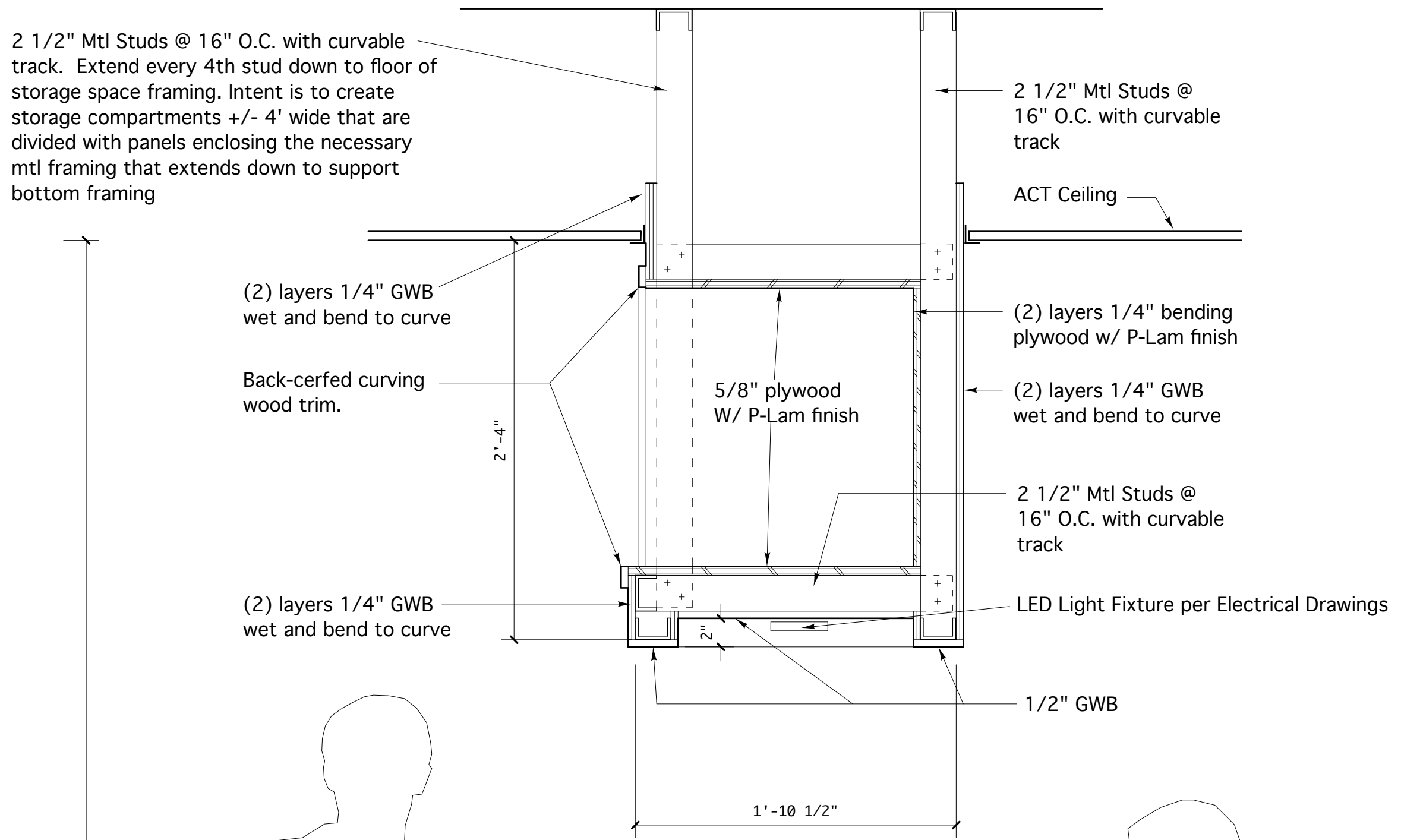
REVISIONS

PERMIT DOCUMENTS
January 29, 2014

Details

Scale: As Noted

2 1/2" Mtl Studs @ 16" O.C. with curvable track. Extend every 4th stud down to floor of storage space framing. Intent is to create storage compartments +/- 4' wide that are divided with panels enclosing the necessary mtl framing that extends down to support bottom framing



SECTION @ BAR & SOFFIT/STORAGE UNIT ABOVE
1 1/2"=1'-0"