

Structural Engineering:  
 BECKER STRUCTURAL  
 ENGINEERS, INC.

HVAC & plumbing Engineering:  
 MECHANICAL SYSTEMS  
 ENGINEERS

Electrical Engineering:  
 SWIFT CURRENT  
 ENGINEERING

Food Service Design Consultant:  
 TJM CONSULTING

**Riverside**  
**Golf Course -**  
**North Course**  
**Club House**  
**Renovations**

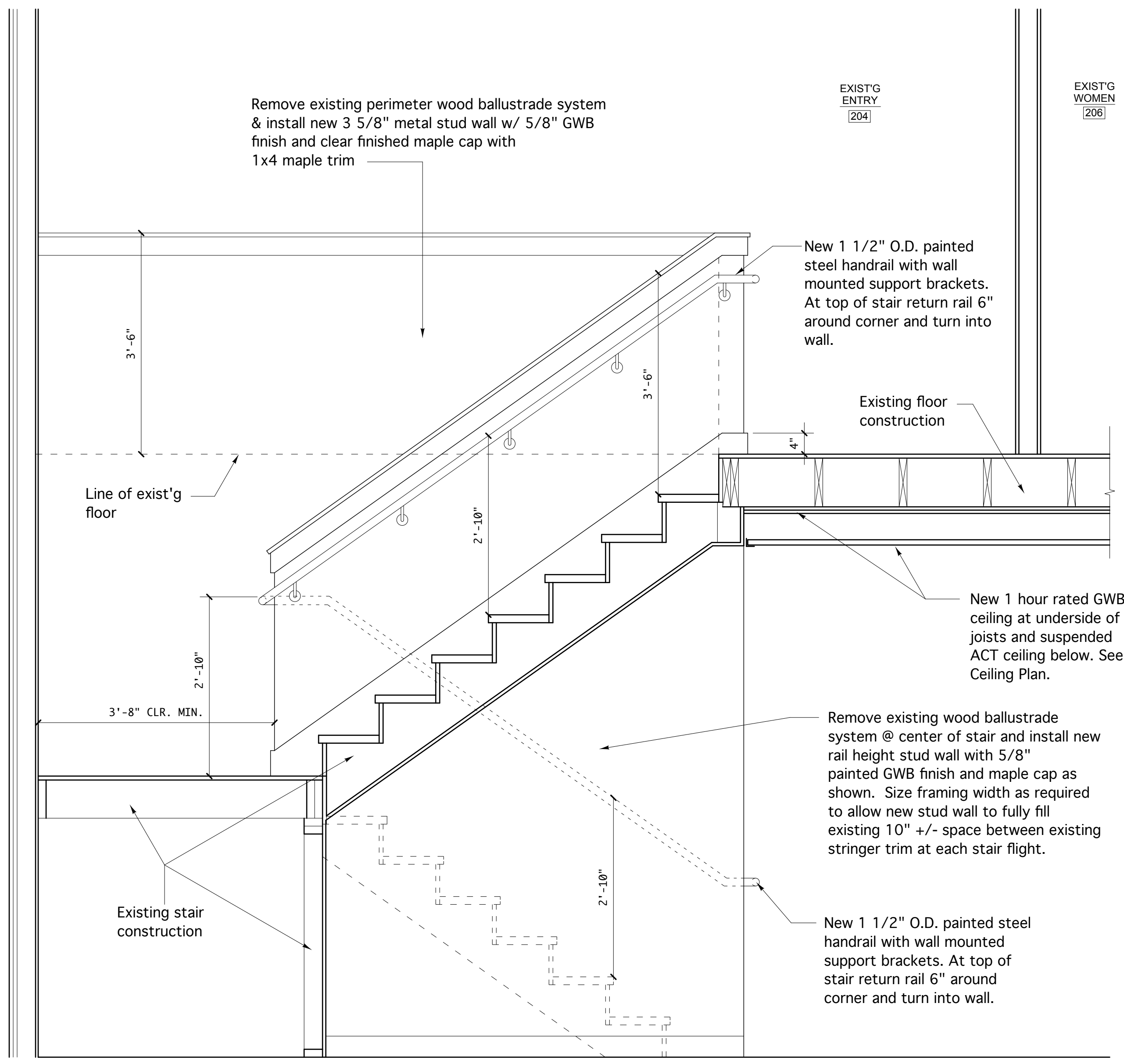
Riverside Street  
 Portland, Maine

REVISIONS

PERMIT  
 DOCUMENTS  
 January 29, 2014

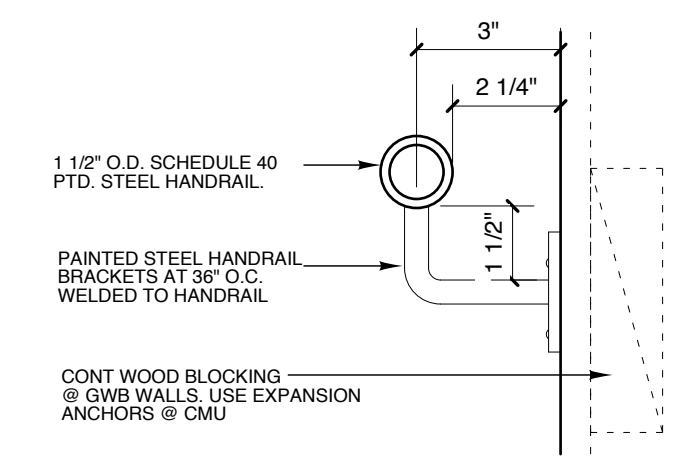
Stair & Railing Details

Scale: As Noted

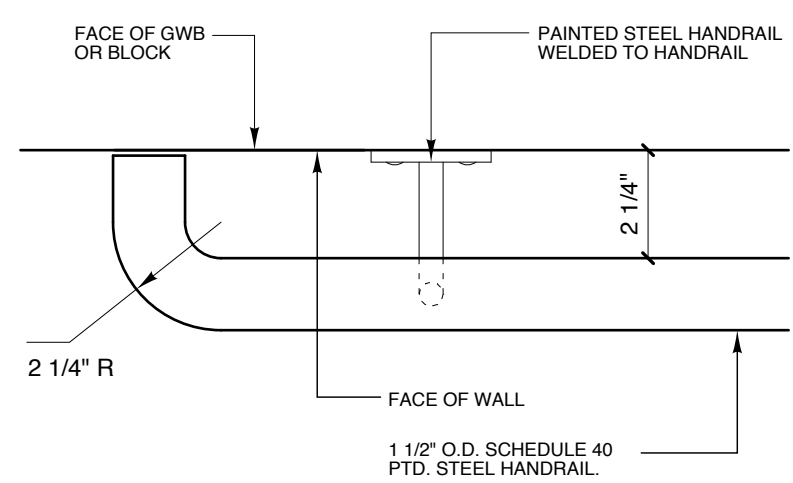


**SECTION @ EXIST'G STAIR**

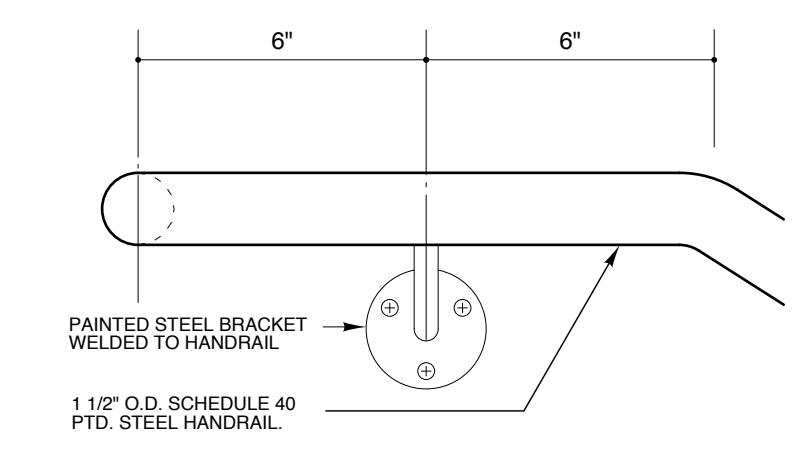
3/4"=1'-0"



SECTION



TERMINATION PLAN



TERMINATION ELEVATION AT TOP OF STAIRS

**TYPICAL WALL MOUNTED  
 HANDRAIL DETAILS**

3" = 1'-0"