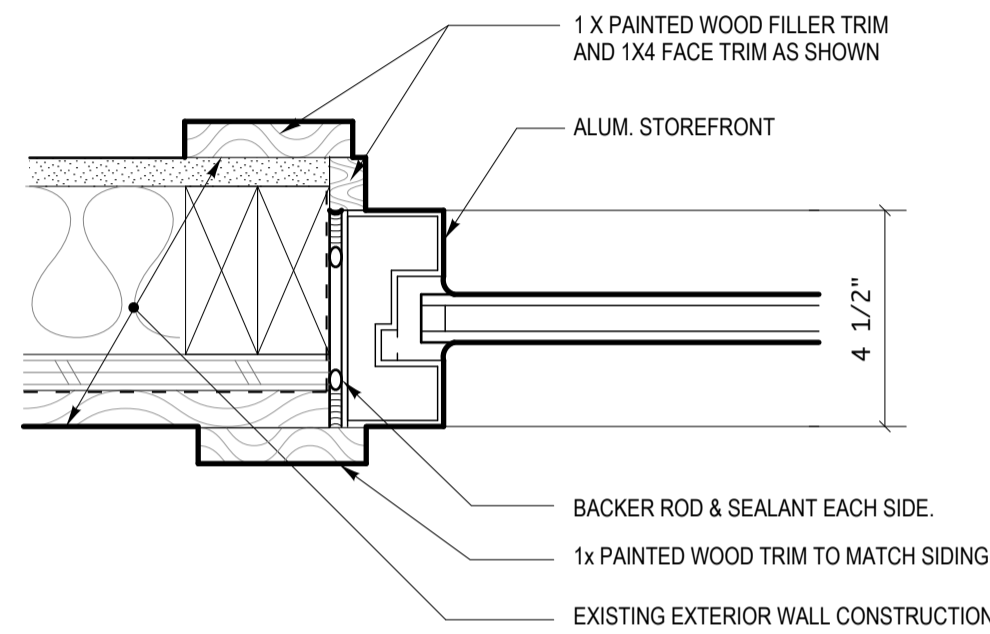


**H1 J1** JAMB DETAIL (Head Similar)



**H2 J2** JAMB DETAIL (Head Similar)

**HARDWARE SETS:**

**HDWR 1:** Continuous Geared Hinges, closer, exit device, pull, commercial heavy duty lockset- Entry Function, weatherstripping & threshold.

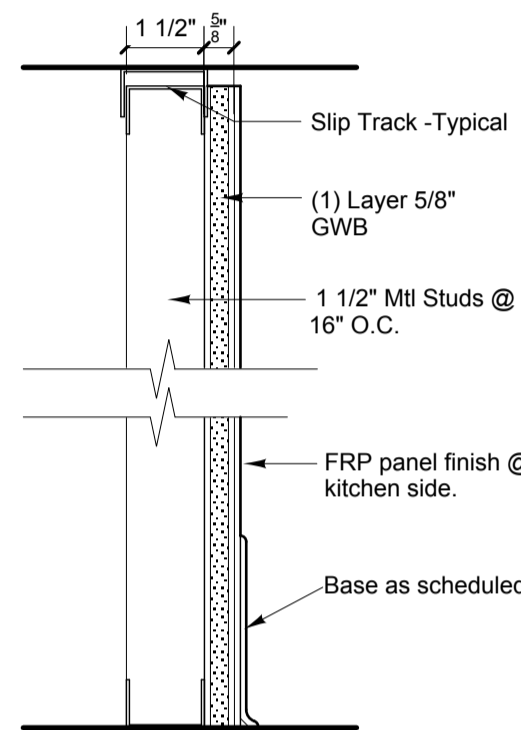
**HDWR 2:** Hinges, Closer (both leaves), Fire Rated Exit Device (active leaf), Auto flush bolts (in-active leaf), astragal, coordinator, Silencers, Stop, Commercial Duty Lever Lockset - Office Function.

**HDWR 3:** Hinges, Closer, Fire Rated Exit Device, Silencers, Stop, Commercial Duty Lever Lockset - Office Function.

**HDWR 4:** Hinges, Closer, Silencers, Stop, Commercial Duty Lever Lockset - Privacy Function.

**HDWR 5:** Hinges, Silencers, Stop, Commercial Duty Lever Lockset - Supply Room Function.

**HDWR 6:** Hinges, Silencers, Stop, Commercial Duty lever Lockset - Supply Room Function, Surface bolts at inactive leaf.



**4** Duct Enclosure Partition @ Kitchen As Shown

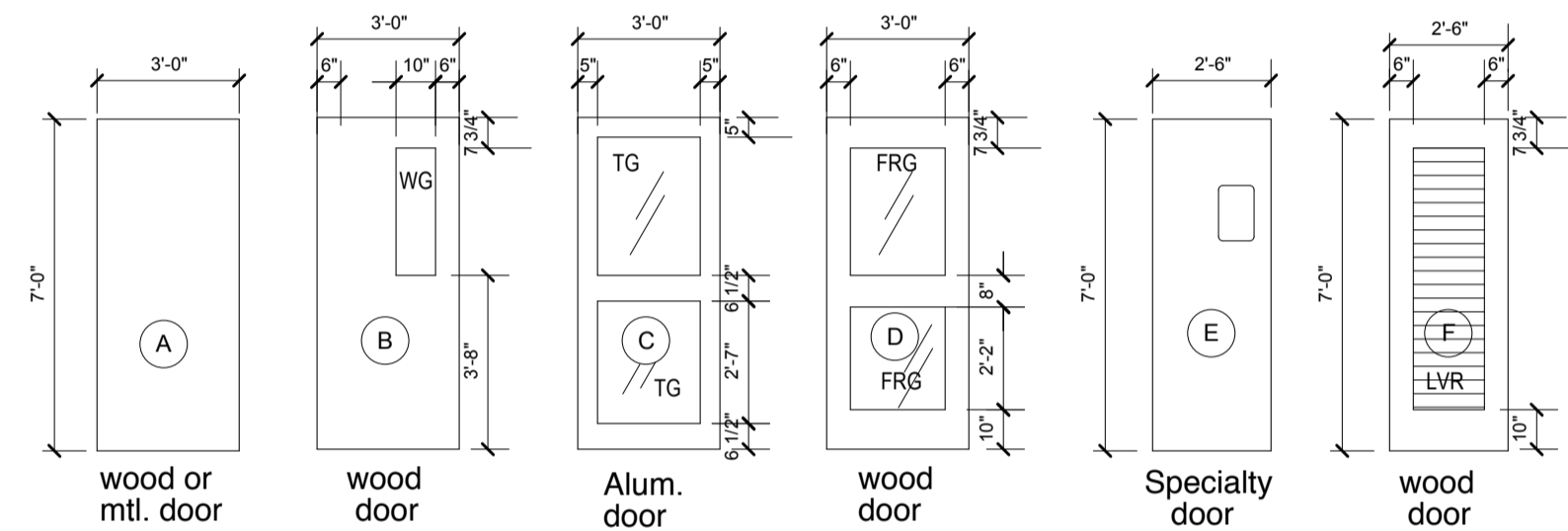
**ABBREVIATIONS**

ALUM	Aluminum
SCWD	Solid Core wood door
CLR. F.	Clear Finish
HM	Hollow Metal
GHM	Galvanized Hollow Mtl.
PNTD.	Painted
F.F.	Factory Finish
HW	Hardware Set

DOOR & FRAME SCHEDULE														
General			Door			Frame			Details					
Door No.	Size (W x H)	Thickness	Material	Finish	Type	Material	Finish	Type	Head	Jamb	Threshold	Hardware	Label	Remarks
<b>SECOND FLOOR</b>														
101	PR 3'-0" X 7'-0"	1 3/4"	ALUM	KYNAR	C	ALUM	KYNAR	F2	H2 SIM	J2 SIM	--	HDWR 1	--	
101.1	3'-0" X 7'-0"	1 3/4"	SCWD	CLR. F.	B	HM	PNTD.	F1	H1	J1	--	HDWR 3	60 MIN	
101.2	3'-0" X 7'-0"	1 3/4"	SCWD	CLR. F.	A	HM	PNTD.	F1	H1	J1	--	HDWR 5	--	
102	3'-0" X 7'-0"	1 3/4"	SCWD	CLR. F.	A	HM	PNTD.	F1	H1	J1	--	HDWR 5	--	
105	PR 3'-0" X 7'-0"	1 3/4"	HM	PNTD	A	HM	PNTD.	F4	H1	J1	--	HDWR 6	--	
106	3'-0" X 7'-0"	1 3/4"	HM	PNTD	A	HM	PNTD.	F1	H1	J1	--	HDWR 5	--	
107	3'-0" X 7'-0"	1 3/4"	HM	PNTD	A	HM	PNTD.	F1	H1	J1	--	HDWR 5	--	
201	PR 3'-0" X 7'-0"	1 3/4"	SCWD	CLR. F.	D	HM	PNTD.	F4	H1	J1	--	HDWR 2	60 MIN	
201.1	PR 3'-0" X 7'-0"	1 3/4"	ALUM	KYNAR	C	ALUM	KYNAR	F4	H2	J2	--	HDWR 1	--	
201.2	PR 3'-0" X 7'-0"	1 3/4"	ALUM	KYNAR	C	ALUM	KYNAR	F4	H2	J2	--	HDWR 1	--	
203	PR 2'-6" X 7'-0"	3/4"	SCWD	ALUM	E	HM	PNTD.	F4	See Note B	--	--	See Note A	--	NOTES A, B
204	3'-0" X 7'-0"	1 3/4"	ALUM	KYNAR	C	ALUM	KYNAR	F3	H2 SIM	J2 SIM	--	HDWR 1	--	
205	3'-0" X 7'-0"	1 3/4"	SCWD	CLR. F.	A	HM	PNTD.	F1	H1	J1	--	HDWR 4	60 MIN	
206	3'-0" X 7'-0"	1 3/4"	SCWD	CLR. F.	A	HM	PNTD.	F1	H1	J1	--	HDWR 4	60 MIN	
207	3'-0" X 7'-0"	1 3/4"	SCWD	CLR. F.	B	HM	PNTD.	F1	H1	J1	--	HDWR 3	60 MIN	
211	PR 2'-6" X 7'-0"	1 3/4"	SCWD	CLR. F.	F	HM	PNTD.	F1	H1	J1	--	HDWR 5	--	

**DOOR SCHEDULE NOTES**

- A. Door Pair to be SC-3014 AL, Solid Core Style Biparting Retail Service Doors as manufactured by Chase Industries (www.chasedoors.com) or Approved Equal. Hardware is supplied by door manufacturer.
- B. Doors require a flush hollow metal frame with reinforcements placed for hinge locations. Frame to be provided by door manufacturer.

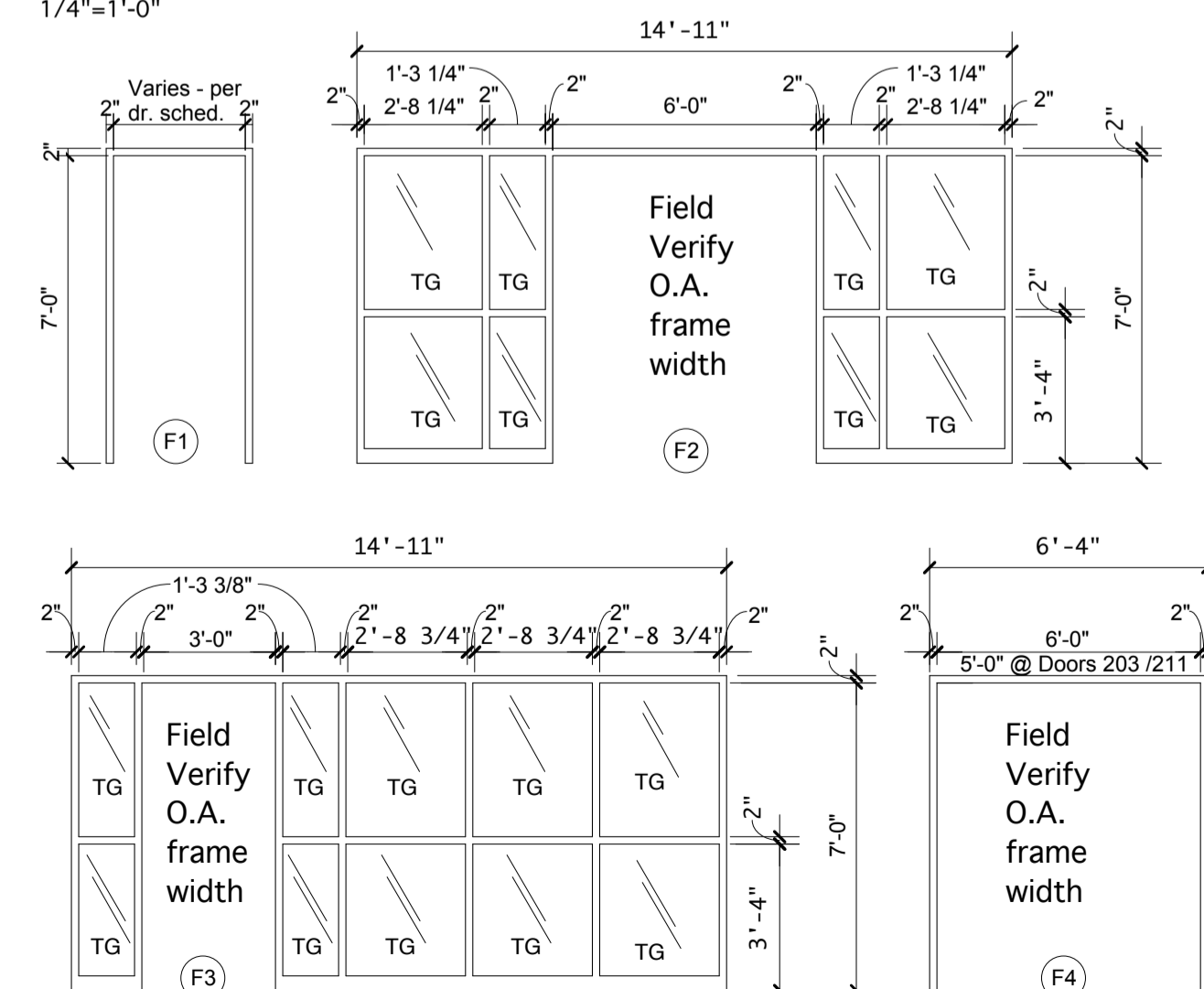


**Glazing Schedule:**

- TG: Tempered Glass
- WG: Fire Rated/Safety Rated Wire Glass such as "WireLite NT" by Technical Glass Products. (60 Mln. Rating)
- FRG: Fire Rated/Safety Rated Glass such as "FireLite NT" by Technical Glass Products. (60 Mln. Rating)
- LVR: Louver

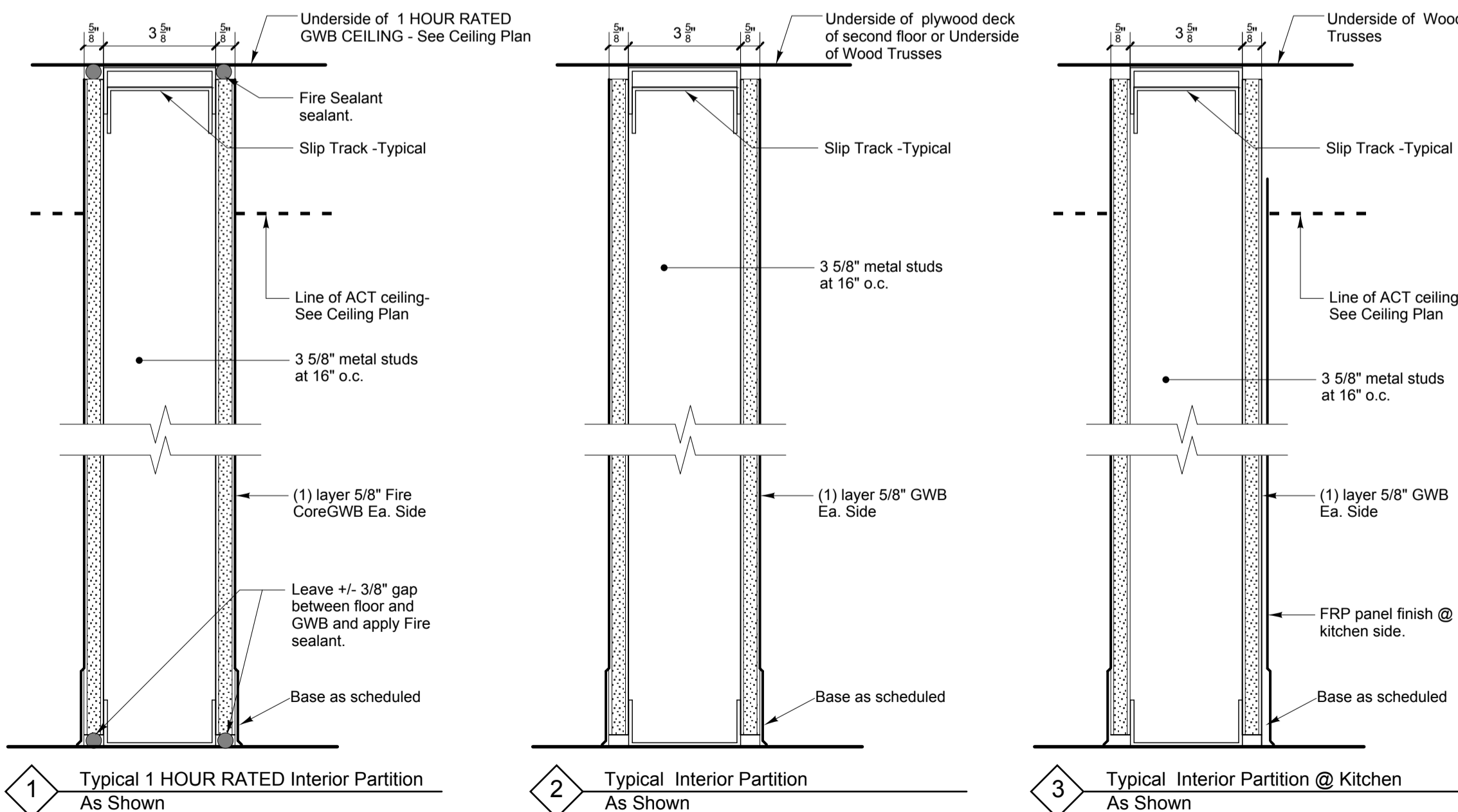
**DOOR TYPES**

1/4"=1'-0"



**FRAME TYPES**

1/4"=1'-0"



**1** Typical 1 HOUR RATED Interior Partition As Shown

**2** Typical Interior Partition As Shown

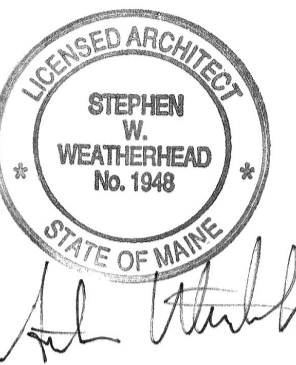
**3** Typical Interior Partition @ Kitchen As Shown

Label partition above ACT Ceiling to indicate "1 HOUR RATED PARTITION"

All penetrations must be sealed with fire caulking



5 Milk Street  
Portland, Maine 04101  
207 774 4811  
www.wintonscott.com



HVAC & plumbing Engineering:  
**MECHANICAL SYSTEMS ENGINEERS**

Electrical Engineering:  
**SWIFT CURRENT ENGINEERING**

Food Service Design Consultant:  
**TJM CONSULTING**

**Riverside Golf Course - North Course Club House Renovations**

Riverside Street  
Portland, Maine

**REVISIONS**

PERMIT DOCUMENTS  
January 29, 2014

Door Schedule / Types  
Partition Types / Details

Scale: As Noted