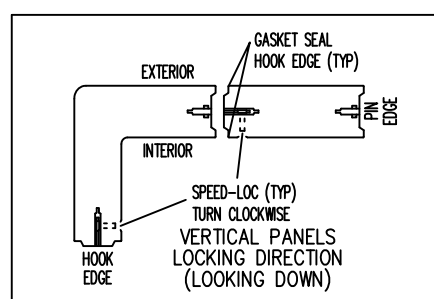


— PLAN VIEW A —

SCALE: 1/2" = 1' - 0"

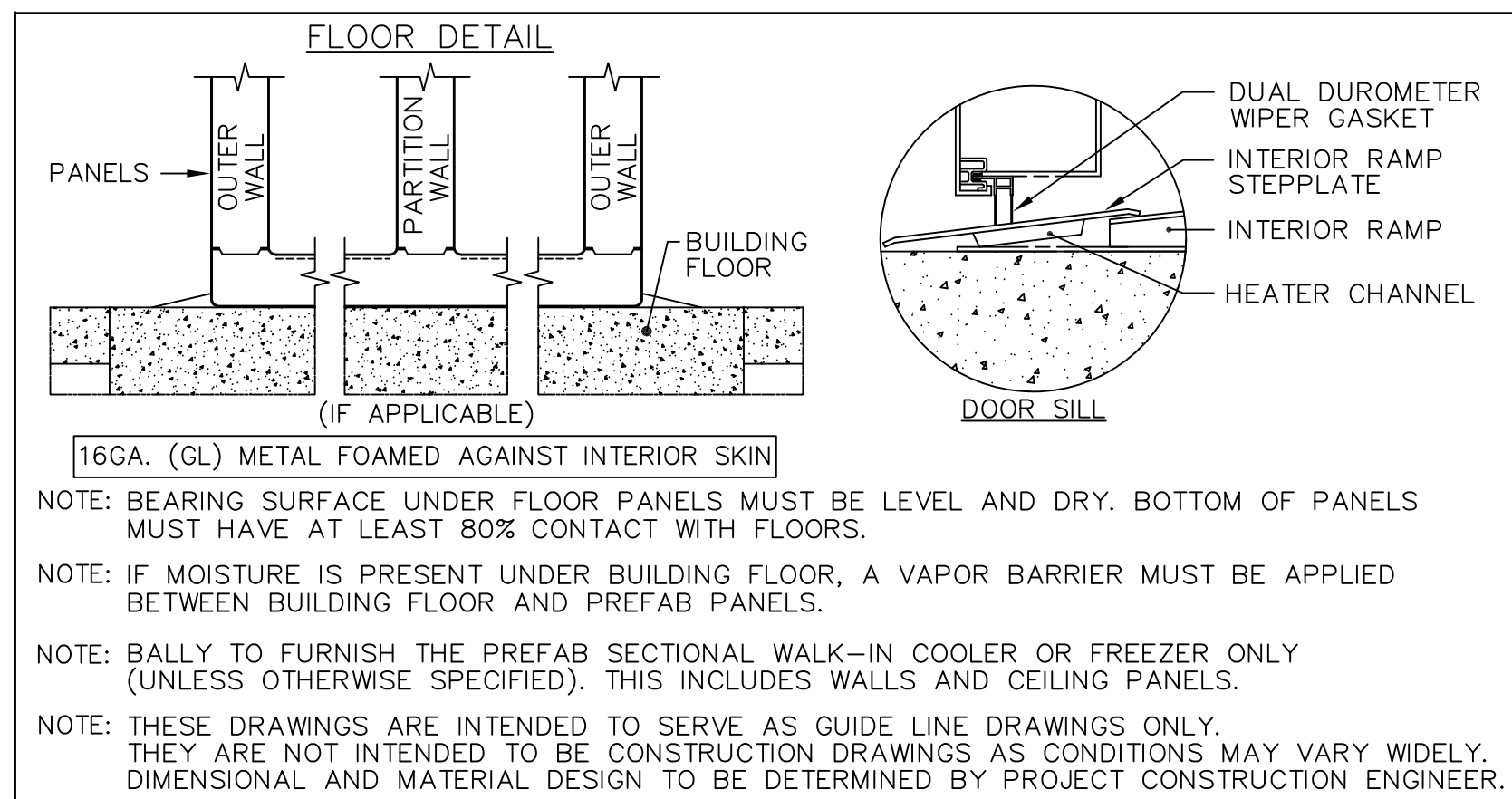
BALLY FLOOR PANEL GUIDELINES
 STATIONARY LOAD:
 LIMIT 600 LBS. SQ. FT. (UNIFORMLY DISTRIBUTED)
 MOBILE EQUIPMENT (DOLLIES OR CARTS):
 BALLY FLOOR PANELS MUST BE REINFORCED
 WITH FOAMED PLYWOOD UNDER INTERIOR FLOOR SKIN.
 (ALUMINUM DIAMOND TREAD OVERLAY IS ALSO AN OPTION.)
 FORK-LIFT USE:
 A MINIMUM OF 4" REINFORCED CONCRETE
 MUST BE POURED OVER BALLY FLOOR PANELS.
 AIR GAP/CIRCULATION RECOMMENDATION:
 BALLY RECOMMENDS A 2" GAP BETWEEN WALK-IN
 VERTICAL PANELS AND EXISTING BUILDING WALLS FOR
 PROPER AIR CIRCULATION. IT IS ALSO RECOMMENDED
 THAT AIR EXCHANGE/CIRCULATION BE PROVIDED FOR
 WALK-INS THAT ARE WITHIN AN ENCLOSED AREA.
 S - ELECTRICAL CONNECTION



THIS DRAWING IS TO BE USED FOR
 "APPROVAL ONLY".

-> DO NOT USE THIS DRAWING
 FOR INSTALLATION!

EVERY SHIPPED ORDER WILL HAVE
 A FINALIZED "AS-BUILT" DRAWING.



16GA. (GL) METAL FOAMED AGAINST INTERIOR SKIN

NOTE: BEARING SURFACE UNDER FLOOR PANELS MUST BE LEVEL AND DRY. BOTTOM OF PANELS
 MUST HAVE AT LEAST 80% CONTACT WITH FLOORS.

NOTE: IF MOISTURE IS PRESENT UNDER BUILDING FLOOR, A VAPOR BARRIER MUST BE APPLIED
 BETWEEN BUILDING FLOOR AND PREFAB PANELS.

NOTE: BALLY TO FURNISH THE PREFAB SECTIONAL WALK-IN COOLER OR FREEZER ONLY
 (UNLESS OTHERWISE SPECIFIED). THIS INCLUDES WALLS AND CEILING PANELS.

NOTE: THESE DRAWINGS ARE INTENDED TO SERVE AS GUIDE LINE DRAWINGS ONLY.
 THEY ARE NOT INTENDED TO BE CONSTRUCTION DRAWINGS AS CONDITIONS MAY VARY WIDELY.
 DIMENSIONAL AND MATERIAL DESIGN TO BE DETERMINED BY PROJECT CONSTRUCTION ENGINEER.

SPECIFICATIONS
 18'-3 1/2" X 7'-9" X 7'-6"

INSTALLATION

- INDOOR
- LOADING HEIGHT - AT LEAST 12" OF OPEN SPACE MUST BE MAINTAINED BETWEEN TOP OF PRODUCT AND CEILING PANELS

INSULATION

- FOAMED IN-PLACE POURED URETHANE

EXTERIOR FINISH

- EMBOSSED WHITE GALVANIZED

INTERIOR FINISH

- EMBOSSED WHITE GALVANIZED

FLOOR FINISH

- (INTERIOR) 1/8" ALUMINUM DIAMOND TREAD W/ 16GA. GALV. UNDERLAY
- (EXTERIOR) EMBOSSED WHITE GALVANIZED

DOORS/ACCESSORIES

- (1) 36" X 77-1/2" LEFT SWING HINGED WALK-IN DOOR
- SUPERDOOR: 3RD HINGE, DT INT & EXT 36"H
- STRIP CURTAIN
- MODULARM 75LC W/MOTION DETECTOR, PANIC BUTTON
- INTERIOR RAMP
- 14" X 24" HEATED OBSERVATION WINDOW
- EXTERIOR CROSSOVER CORD

REFRIGERATION - BY BALLY (CONDENSING UNIT MOUNTED OUTDOORS)

QTY	H/P	REFG TYPE	MODEL NUMBER	POWER SUPPLY	COMPRESSOR RLA LRA	FAN MTRS QTY HP FLA	TOTAL WATTS DEFROST	AMPS	MCA	MAX FUSE	CMPT
1	1.0	R404	BOHA010-E6-HT3AB	208-230/3/60	4.2 31	1 1.7			7.0	15	C
1			BLP211MA-SV-S1BP-E	115/1/60		2 1/15 2.0			2.3	15	C

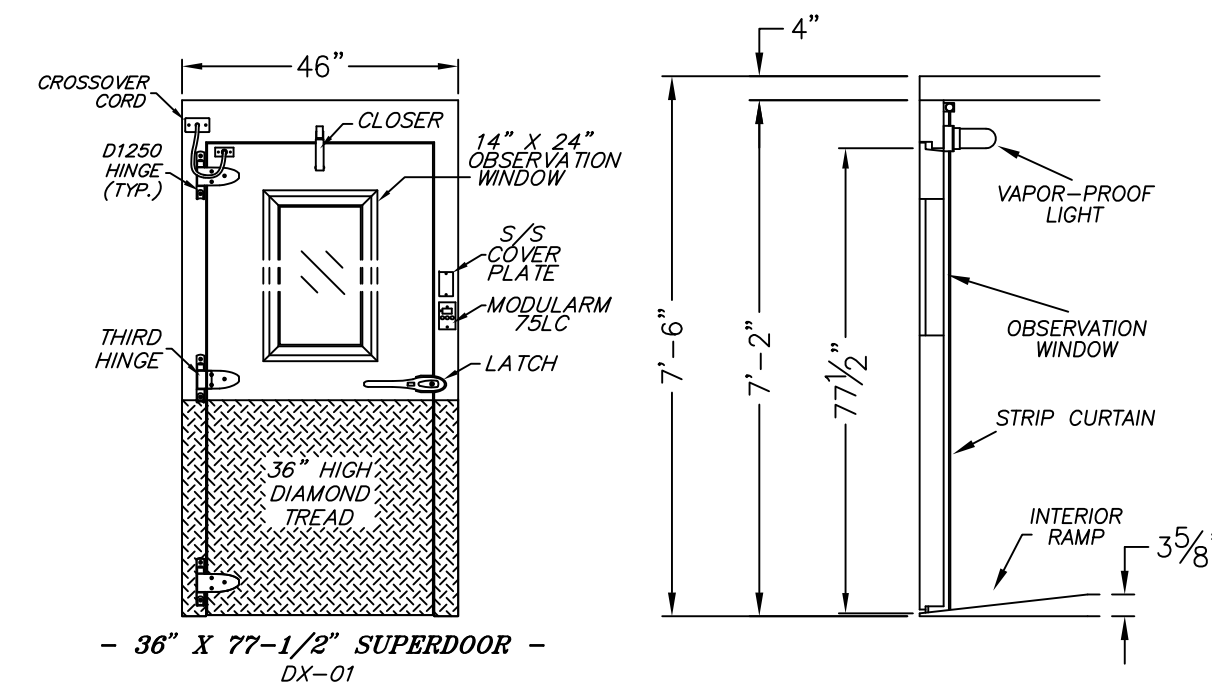
- (1) HEATED AND INSULATED RECEIVER FOR CONDENSING UNIT
- (1) WIND GUARD

NOTE

SMARTVAP REFRIGERATION REQUIRES TWO SEPARATE POWER SOURCES; ONE TO THE CONDENSING UNIT AND ONE TO THE SMARTVAP EVAPORATOR.

GENERAL NOTES

- NOTE: BALLY TO FURNISH (2) EXTRA VAPOR PROOF LIGHTS WITH 23W CFL BULBS. LIGHTS MOUNTED AND WIRED BY OTHERS. (LIGHT SWITCH (12) AMPS MAX).
- NOTE: BALLY TO FURNISH EW CLOSURE TRIM. PLEASE ADVISE SIZE AND QUANTITY. ALL FASTENERS AND INSTALLATION BY OTHERS.



— SECTION VIEW —
 THRU ENTRANCE DOOR

SCALE: 3/8" = 1' - 0"

SHEET 1 OF 1

RESTRICTED, CONFIDENTIAL DOCUMENT.

THIS DRAWING AND ALL INFORMATION SHOWN HEREON ARE THE EXCLUSIVE PROPERTY OF BALLY REFRIGERATED BOXES INC. ARE SUBMITTED ONLY ON A CONFIDENTIAL BASIS. THE RECIPIENT AGREES NOT TO REPRODUCE THE DRAWING, TO RETURN IT UPON REQUEST, AND THAT NO DISCLOSURE OF THE DRAWING OR THE INFORMATION SHOWN HEREON WILL BE MADE TO A THIRD PARTY WITHOUT PRIOR WRITTEN CONSENT FROM BALLY REFRIGERATED BOXES INC.

SIGNED APPROVAL

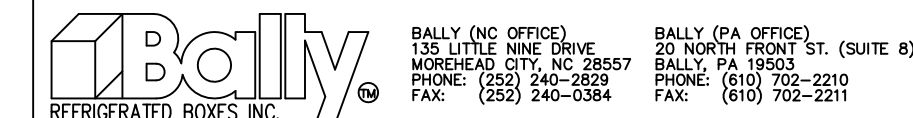
SIGNED _____
 DATE _____

PLEASE READ

THIS DRAWING HAS BEEN CAREFULLY CHECKED BY OUR DRAFTING DEPARTMENT. HOWEVER, ERRORS OF INTERPRETATION CAN OCCUR. THEREFORE, BEFORE YOU RETURN DRAWING MARKED "APPROVED", BE CERTAIN THAT YOU CHECK THEM CAREFULLY.
 NOTE - THIS ORDER WILL NOT BE SCHEDULED FOR PRODUCTION UNTIL RECEIPT OF APPROVED DRAWINGS BY BALLY.

IMPORTANT - PLEASE READ

THESE DRAWINGS ARE NOT TO BE CONSIDERED AS APPROVED BY LOCAL OR STATE BUILDING AUTHORITIES. THESE DRAWINGS HAVE BEEN PREPARED SOLELY FOR THE GUIDANCE OF REGISTERED ARCHITECTS AND ENGINEERS AND FOR THE ASSISTANCE OF LOCAL INSTALLERS. IT IS THE RESPONSIBILITY OF THE PROJECT ARCHITECT OR ENGINEER TO ASSURE THE BUILDING DESIGN MEETS LOCAL CODE REQUIREMENTS. THIS INCLUDES STRUCTURAL DESIGN AS WELL AS ANY WORK PERFORMED BY THE GENERAL CONTRACTOR. BALLY REFRIGERATED BOXES INC. IN PREPARING THESE DRAWINGS AND SPECIFICATIONS, DOES NOT ASSUME ANY RESPONSIBILITY FOR THE SUCCESSFUL COMPLETION OR USAGE OF THE STRUCTURE DESCRIBED.
 THE DRAWINGS AND SPECIFICATIONS DESCRIBE A BUILDING ASSEMBLED FROM BALLY PANELS INSULATED WITH URETHANE "FOAMED-IN-PLACE". THE SIZE AND SHAPE IS THAT WHICH MOST CLEARLY MEETS DIMENSIONS SUBMITTED BY THE USER.
 BALLY REFRIGERATED BOXES INC. PROVIDES PANELS FREQUENTLY SPECIFIED BY OTHERS, AND IS NOT RESPONSIBLE FOR THE SELECTION OR RECOMMENDATION BY OTHERS OF THE PANEL FINISH FOR ANY BUILDING OR WALK-IN APPLICATION.



FOR **RIVERSIDE GOLF COURSE**
CLUB HOUSE

DRAWING NUMBER	3120913AC	DATE	01/14/14
DRAWN BY	RCB	ORDER NUMBER	3120913

REV	DESCRIPTION	BY	DATE	LBL'D BY	DATE LBL'D	CHK'D BY