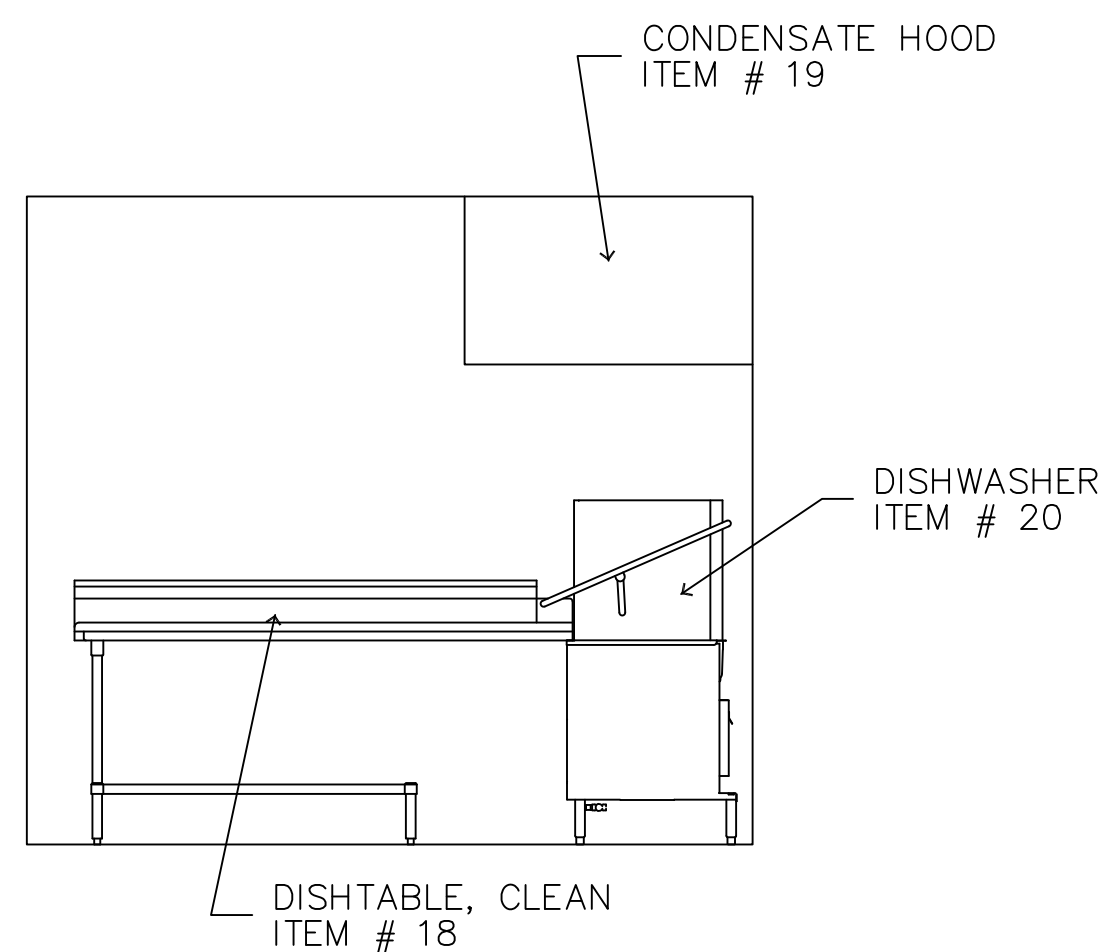


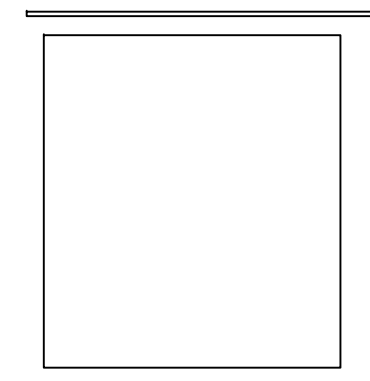
Kitchen South Wall Elevation

SCALE: 3/8"=1'-0"



Kitchen West Wall Elevation

SCALE: 3/8"=1'-0"



5 Milk Street
Portland, Maine 04101
207 774 4811
www.wintonscott.com

Structural Engineering:
BECKER STRUCTURAL ENGINEERS, INC.

HVAC & plumbing Engineering:
MECHANICAL SYSTEMS ENGINEERS

Electrical Engineering:
SWIFT CURRENT ENGINEERING

Food Service Design Consultant:
TJM CONSULTING

Riverside North
Golf Course –
Club House
Design Study

Riverside Street
Portland, Maine

REVISIONS

CONSTRUCTION
DOCUMENTS
January 14, 2014

Foodservice Equipment
Details and Elevations

Scale: 3/8" = 1'-0"