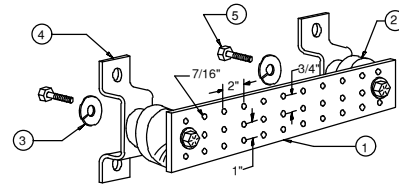
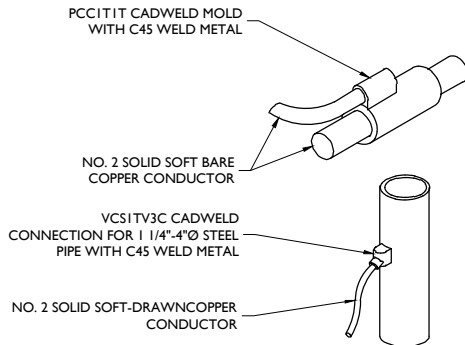


CADWELD DETAILS
NOT TO SCALE



LEGEND

- 1- TINNED COPPER GROUND BAR, 1/4"x4"x20", NEWTON INSTRUMENT CO. CAT. NO. B-6142 OR EQUAL. HOLE CENTERS TO MATCH NEMA DOUBLE LUG CONFIGURATION.
- 2- INSULATORS, NEWTON INSTRUMENT CAT. NO. 3061-4
- 3- 5/8" LOCKWASHERS, NEWTON INSTRUMENT CO. CAT. NO. 3015-8
- 4- WALL MOUNTING BRACKET, NEWTON INSTRUMENT CO. CAT NO. A-5056
- 5- 5/8-11 X 1" HHCS BOLTS, NEWTON INSTRUMENT CO. CAT NO. 3012-1
- 6- EACH GROUND CONDUCTOR TERMINATING ON ANY GROUND BAR HAVE AN IDENTIFICATION TAG ATTACHED AT EACH END THAT WILL IDENTIFY ITS ORIGIN AND DESTINATION.

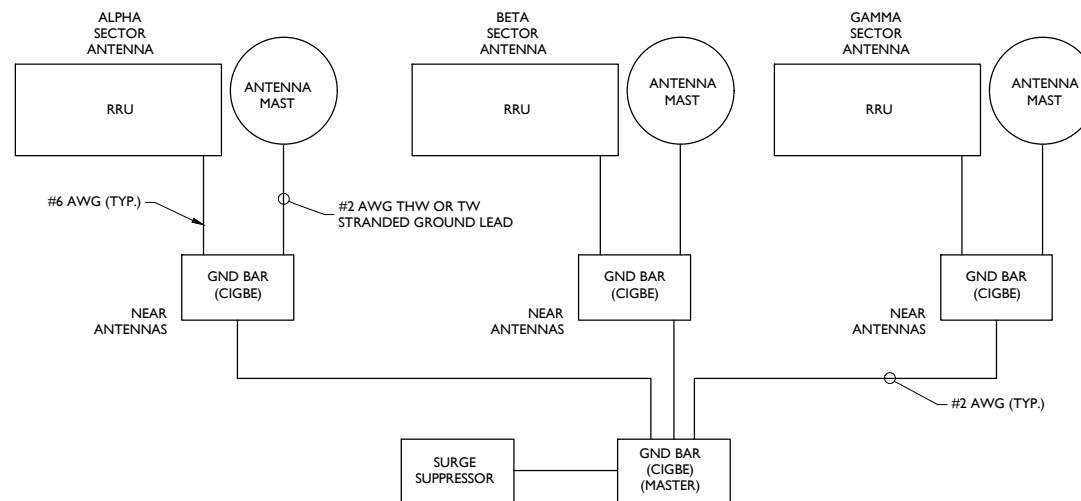
SECTION "P" - SURGE PRODUCERS

- CABLE ENTRY PORTS (HATCH PLATES) (#2)
- GENERATOR FRAMEWORK (IF AVAILABLE) (#2)
- TELCO GROUND BAR
- COMMERCIAL POWER COMMON NEUTRAL/GROUND BOND (#2)
- +24V POWER SUPPLY RETURN BAR (#2)
- 48V POWER SUPPLY RETURN BAR (#2)
- RECTIFIER FRAMES.

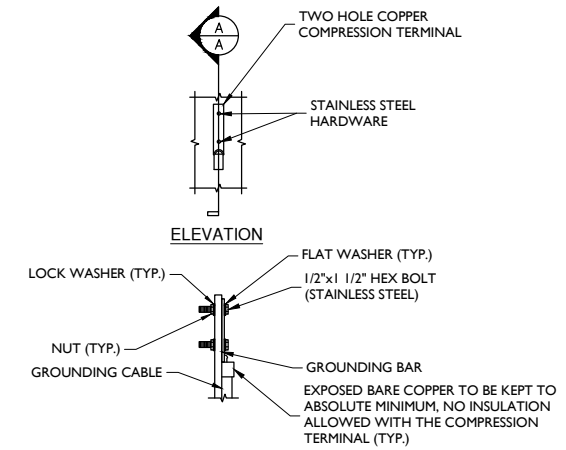
SECTION "A" - SURGE ABSORBERS

- INTERIOR GROUND RING (#2)
- EXTERNAL EARTH GROUND FIELD (BURIED GROUND RING) (#2)
- METALLIC COLD WATER PIPE (IF AVAILABLE) (#2)
- BUILDING STEEL (IF AVAILABLE) (#2)

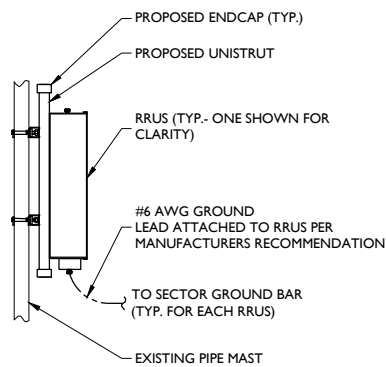
MASTER GROUND BAR
NOT TO SCALE



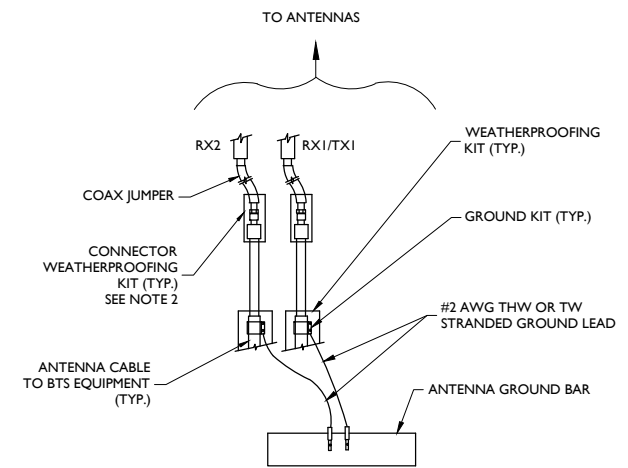
SCHEMATIC DIAGRAM GROUNDING SYSTEM
NOT TO SCALE



TYPICAL GROUND BAR CONNECTION DETAIL
NOT TO SCALE



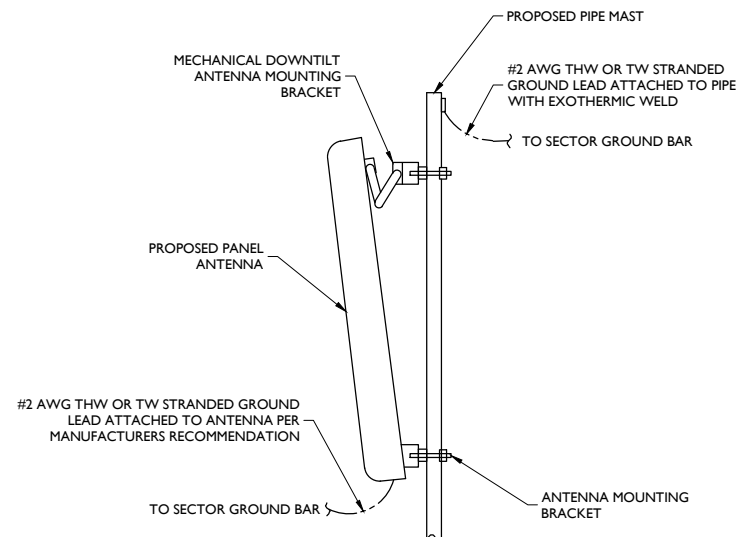
RRH GROUNDING
NOT TO SCALE



NOTES:

1. DO NOT INSTALL CABLE GROUND KIT AT A BEND AND ALWAYS DIRECT GROUND WIRE DOWN TO ANTENNA GROUND BAR.
2. WEATHER PROOFING SHALL BE TWO-PART TAPE KIT, COLD SHRINK SHALL NOT BE USED.

TYPICAL GROUND WIRE TO GROUNDING BAR
NOT TO SCALE



ANTENNA GROUNDING
NOT TO SCALE

MASER CONSULTING P.A.

Customer Loyalty Through Client Satisfaction
www.maserconsulting.com

Engineers ■ Planners ■ Surveyors
Landscape Architects ■ Environmental Scientists

Office Locations:

- Red Bank, NJ
- Clinton, NJ
- Hamilton, NJ
- Mt. Arlington, NJ
- Mt. Laurel, NJ
- Sterling, VA
- Norfolk, VA
- Albuquerque, NM
- Albany, NY
- Chestnut Ridge, NY
- Newburgh, NY
- Hawthorne, NY
- Lehigh Valley, PA
- Exton, PA
- Philadelphia, PA
- Columbia, MD
- Tampa, FL

Copyright © 2016, Maser Consulting P.A. All Rights Reserved. This drawing and all the information contained herein is authorized for use only by the party for whom the services were contracted or whom it is certified. This drawing may not be copied, reused, disclosed, distributed or relied upon for any other purpose without the express written consent of Maser Consulting P.A.

smartlink

1362 MELLON ROAD
SUITE 140
HANOVER, MD 21076
TEL: (410) 582-8043 FAX: (443) 221-2962

at&t

NEW CINGULAR WIRELESS PCS, LLC
550 COCHITUATE ROAD
FRAMINGHAM, MA 01701

811 PROTECT YOURSELF
ALL STATES REQUIRE NOTIFICATION OF EXCAVATORS, DESIGNERS, OR ANY PERSON PREPARING TO DISTURB THE SURFACE ANYWHERE IN ANY STATE

Know what's below.
Call before you dig.

FOR STATE SPECIFIC DIRECT PHONE NUMBERS VISIT:
WWW.CALL811.COM

SCALE:	AS SHOWN	JOB NUMBER:	15946041A
REV	DATE	DESCRIPTION	CHECKED BY
1	04/08/16	ISSUED FOR CONSTRUCTION	MSG
0	03/23/16	CONSTRUCTION	RF

FRANK E. PAZDEN

MAINE PROFESSIONAL ENGINEER
LICENSE NUMBER: 10796

IT IS A VIOLATION OF ANY PROFESSIONAL ENGINEER'S LICENSE TO SEAL OR SIGN THIS DOCUMENT UNLESS THEY ARE THE RESPONSIBLE LICENSED PROFESSIONAL ENGINEER, TO ALTER THIS DOCUMENT.

SITE NAME:
NORTH PORTLAND
FA10096382
SITE # MEL05015
CROWN CASTLE SITE #856245

1340 RIVERSIDE STREET
PORTLAND, ME 04103
COUNTY OF CUMBERLAND

MT. ARLINGTON OFFICE

400 Valley Road
Suite 304
Mount Arlington, NJ 07856
Phone: 973.398.3110
Fax: 973.398.3199
email: solutions@maserconsulting.com

SHEET TITLE:
GROUNDING DETAILS

SHEET NUMBER:
G-1