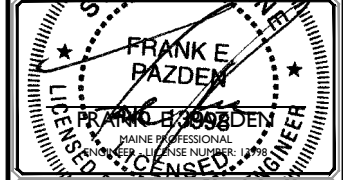


1	04/08/16	ISSUED FOR CONSTRUCTION	MSG	FEP
0	03/23/16	DESIGN	RF	FEP
REV		DESCRIPTION	DESIGNED BY	CHECKED BY



IT IS A VIOLATION FOR ANY PERSONS UNLESS THEY ARE REGISTERED PROFESSIONAL ENGINEERS OF THE RESPONSIBLE LICENSED PROFESSIONAL ENGINEER, TO ALTER THIS DOCUMENT.

SITE NAME:  
 NORTH PORTLAND  
 FA10096382  
 SITE # MEL05015  
 CROWN CASTLE SITE #856245

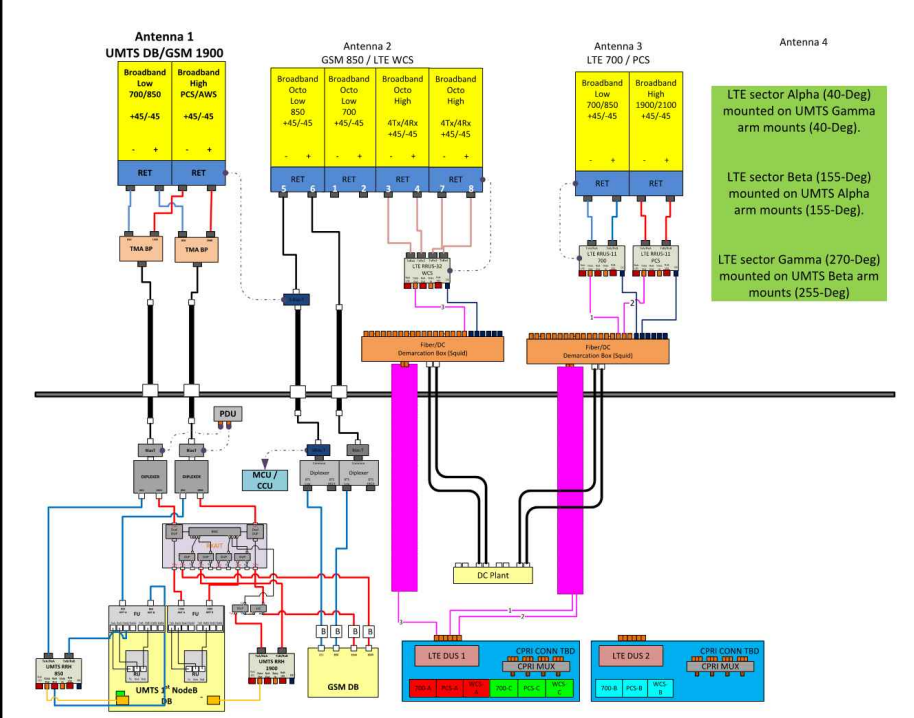
1340 RIVERSIDE STREET  
 PORTLAND, ME 04103  
 COUNTY OF CUMBERLAND

**MT. ARLINGTON OFFICE**  
 400 Valley Road  
 Suite 304  
 Mount Arlington, NJ 07856  
 Phone: 973.398.3110  
 Fax: 973.398.3199  
 email: solutions@maserconsulting.com

SHEET TITLE:  
**RF PLUMBING DIAGRAM**

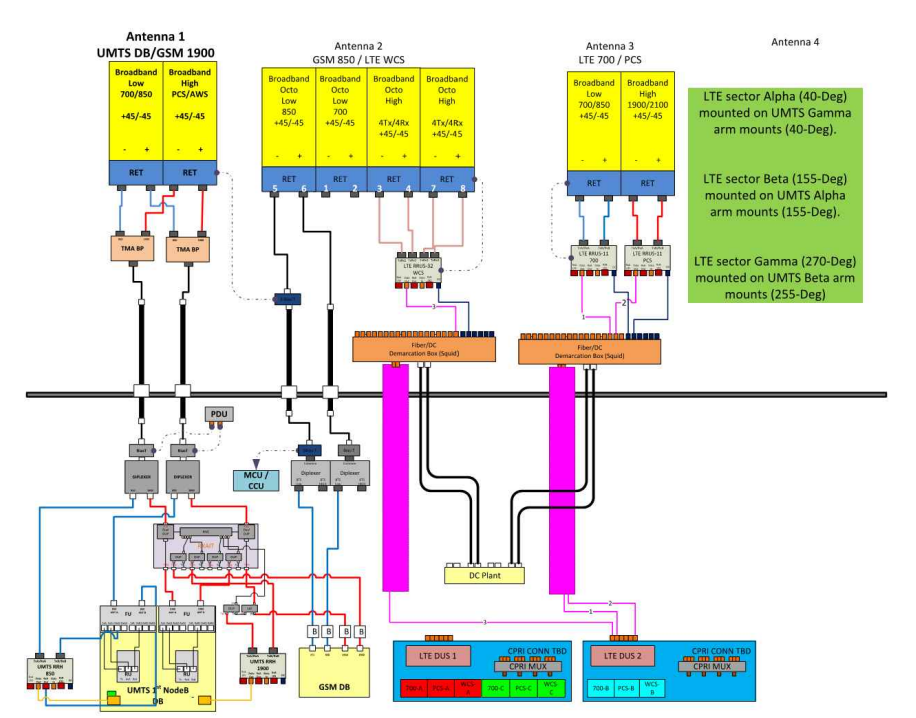
SHEET NUMBER:  
**A-5**

Diagram - Sector A  
 Atoll Site Name - MEV5015  
 Diagram File Name - CT1099\_BrmzStand\_LTE3C\_A\_Rev3.vsd  
 Location Name - NORTH PORTLAND  
 Market - BOSTON  
 Market Cluster - NEW ENGLAND



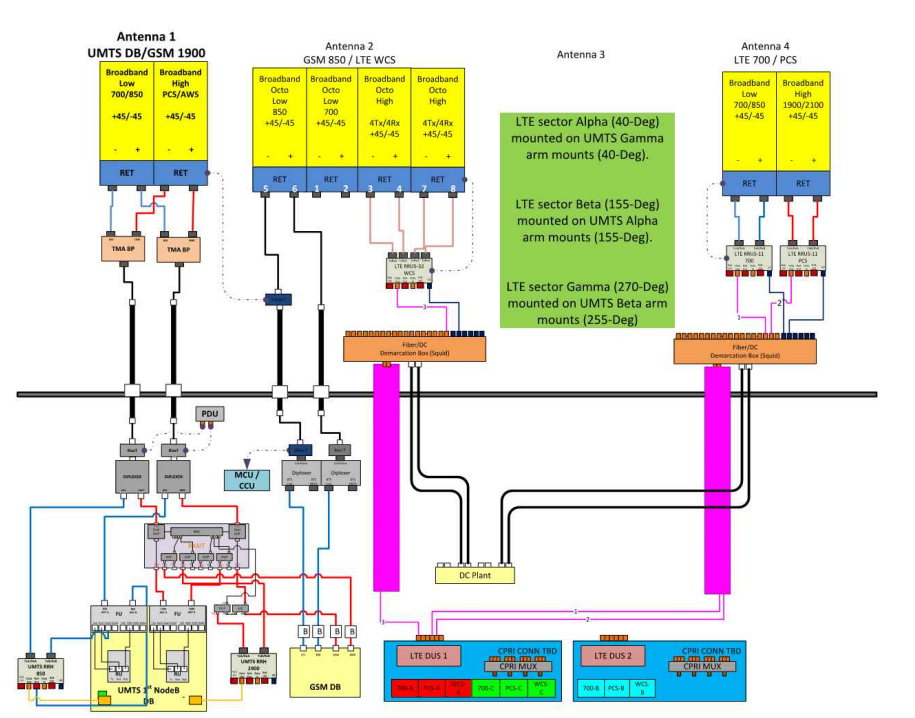
**ALPHA SECTOR**

Diagram - Sector B  
 Atoll Site Name - MEV5015  
 Diagram File Name - CT1099\_BrmzStand\_LTE3C\_B\_Rev3.vsd  
 Location Name - NORTH PORTLAND  
 Market - BOSTON  
 Market Cluster - NEW ENGLAND



**BETA SECTOR**

Diagram - Sector C  
 Atoll Site Name - MEV5015  
 Diagram File Name - CT1099\_BrmzStand\_LTE3C\_C\_Rev3.vsd  
 Location Name - NORTH PORTLAND  
 Market - BOSTON  
 Market Cluster - NEW ENGLAND



**GAMMA SECTOR**

**RF PLUMBING DIAGRAM**