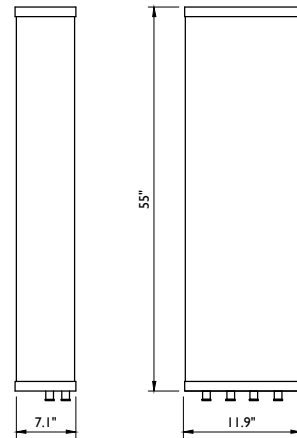


WEIGHT = 53 LBS

CCI HPA-65R-BUU-H8

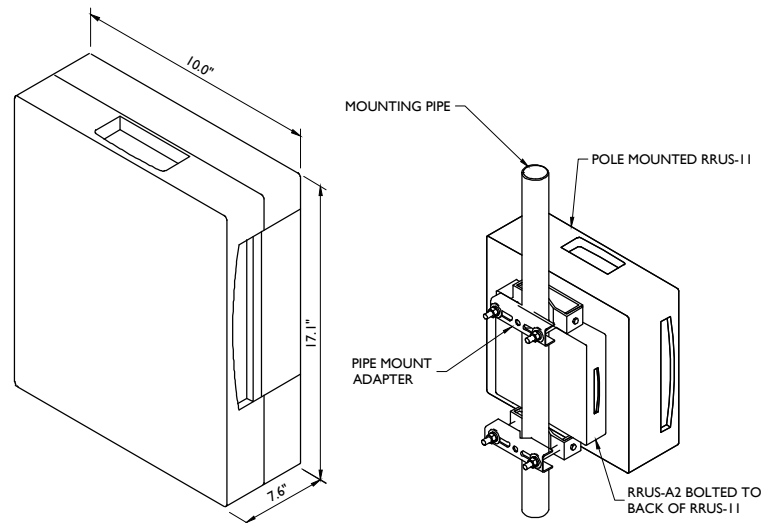
ANTENNA DETAIL
NOT TO SCALE



WEIGHT = 33.5 LBS

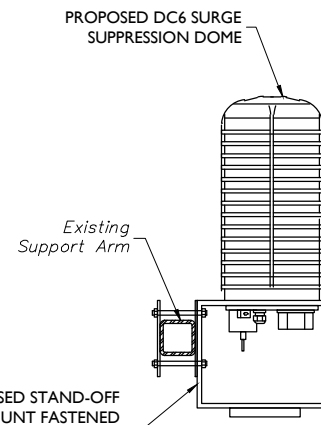
SBNHH-1D65A

ANTENNA DETAIL
NOT TO SCALE

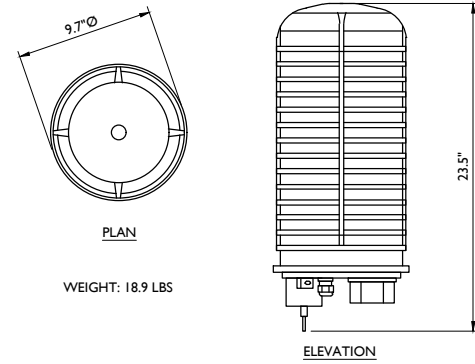


RRUS-11 DIMENSIONS (H X W X D): 17.1" X 10.0" X 7.6" (INCLUDES SUNSHIELD)
WEIGHT: 50 LBS
RRUS-A2 DIMENSIONS (H X W X D): 12.8" X 15.0" X 3.5" (INCLUDES SUNSHIELD)
WEIGHT: 15 LBS

ERICSSON RRUS-11 AND RRUS-A2
NOT TO SCALE



DC6 SURGE SUPPRESSION DOME STAND-OFF MOUNT
NOT TO SCALE

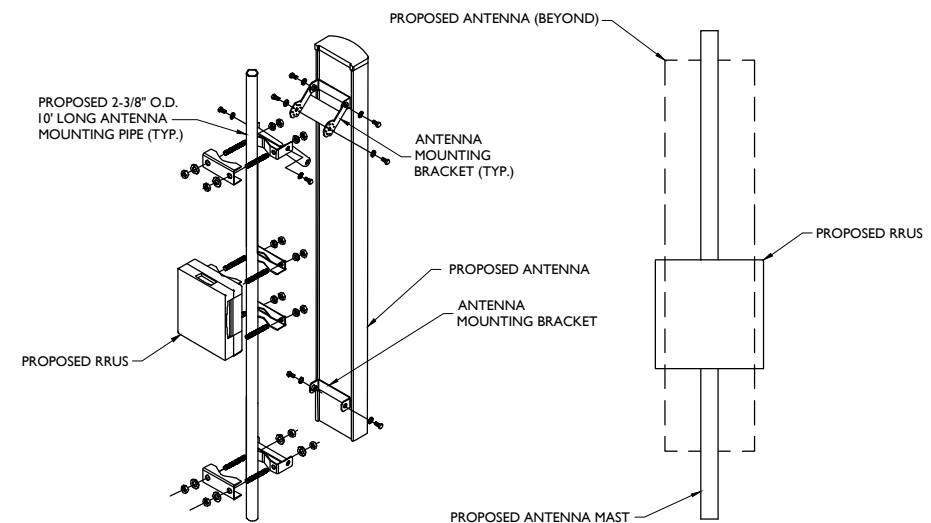


WEIGHT: 18.9 LBS

RAYCAP DC6-48-60-18-8F SURGE SUPPRESSOR
NOT TO SCALE

RRUS MINIMUM CLEARANCE TABLE

RRUS CABINET	CLEARANCES (INCHES)	COMMENTS
FRONT	36"	INSTALLATION ACCESS
REAR	2"	ZERO REAR CLEARANCE IS ALLOWED USING SUPPLIED MOUNTING BRACKETS
RIGHT	4"	AIR FLOW
LEFT	4"	AIR FLOW
TOP	12"	AIR FLOW
BOTTOM	12"	CONDUIT ROUTING



MOUNTING ASSEMBLY REPEATED ONCE AT EACH SECTOR

ANTENNA AND RRUS MOUNTING DETAILS
NOT TO SCALE

MASER CONSULTING P.A.
Customer Loyalty Through Client Satisfaction
www.maserconsulting.com
Engineers ■ Planners ■ Surveyors
Landscape Architects ■ Environmental Scientists

Office Locations:
 ■ Red Bank, NJ ■ Sterling, VA ■ Hawthorne, NY
 ■ Clinton, NJ ■ Norfolk, VA ■ Lehigh Valley, PA
 ■ Hamilton, NJ ■ Albuquerque, NM ■ Exton, PA
 ■ Marmora, NJ ■ Albany, NY ■ Philadelphia, PA
 ■ Mt. Arlington, NJ ■ Chestnut Ridge, NY ■ Columbia, MD
 ■ Mt. Laurel, NJ ■ Newburgh, NY ■ Tampa, FL

Copyright © 2016, Maser Consulting P.A. All Rights Reserved. This drawing and all the information contained herein is authorized for use only by the party for whom the services were contracted or to whom it is certified. This drawing may not be copied, reused, disclosed, distributed or relied upon for any other purpose without the express written consent of Maser Consulting P.A.

smartlink
1362 MELLON ROAD
SUITE 140
HANOVER, MD 21076
TEL: (410) 582-8043 FAX: (443) 221-2962

at&t
NEW CINGULAR WIRELESS PCS, LLC
550 COCHITUATE ROAD
FRAMINGHAM, MA 01701

811 PROTECT YOURSELF
ALL STATES REQUIRE NOTIFICATION OF EXCAVATORS, DESIGNERS, OR ANY PERSON PREPARING TO DISTURB THE EARTH'S SURFACE ANYWHERE IN ANY STATE.
Know what's below. Call before you dig.
FOR STATE SPECIFIC DIRECT PHONE NUMBERS VISIT: WWW.CALL811.COM

SCALE	JOB NUMBER
AS SHOWN	15946041A

REV	DATE	DESCRIPTION	DESIGNED BY	CHECKED BY
1	04/08/16	ISSUED FOR CONSTRUCTION	MSG	FEP
0	03/23/16	CONSTRUCTION	RF	FEP

FRANK E. PAZDEN
MAINE PROFESSIONAL ENGINEER
LICENSE NUMBER: 10798

IT IS A VIOLATION OF ANY STATE'S PROFESSIONAL ENGINEERING ACTS FOR ANY ENGINEER TO SIGN OR SEAL ANY DOCUMENT OR DRAWING FOR WHICH HE OR SHE IS NOT THE RESPONSIBLE LICENSED PROFESSIONAL ENGINEER, TO ALTER THIS DOCUMENT.

SITE NAME:
NORTH PORTLAND
FA10096382
SITE # MEL05015
CROWN CASTLE SITE #856245

1340 RIVERSIDE STREET
PORTLAND, ME 04103
COUNTY OF CUMBERLAND

MT. ARLINGTON OFFICE
400 Valley Road
Suite 304
Mount Arlington, NJ 07856
Phone: 973.398.3110
Fax: 973.398.3199
email: solutions@maserconsulting.com

SHEET TITLE:

DETAILS

SHEET NUMBER:

A-4