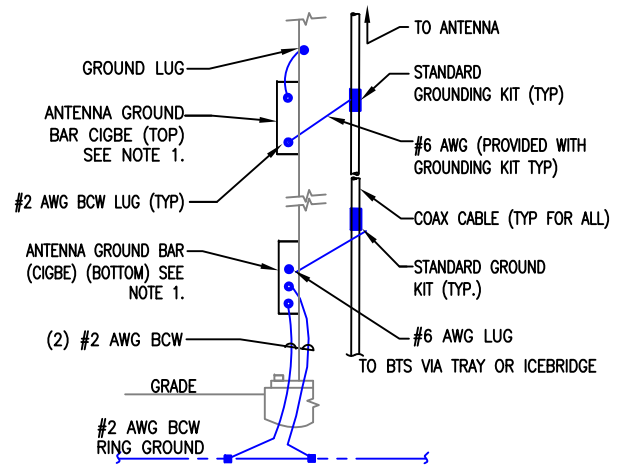
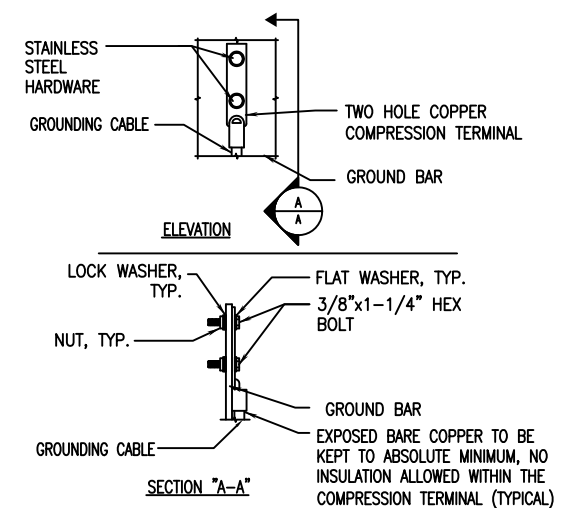


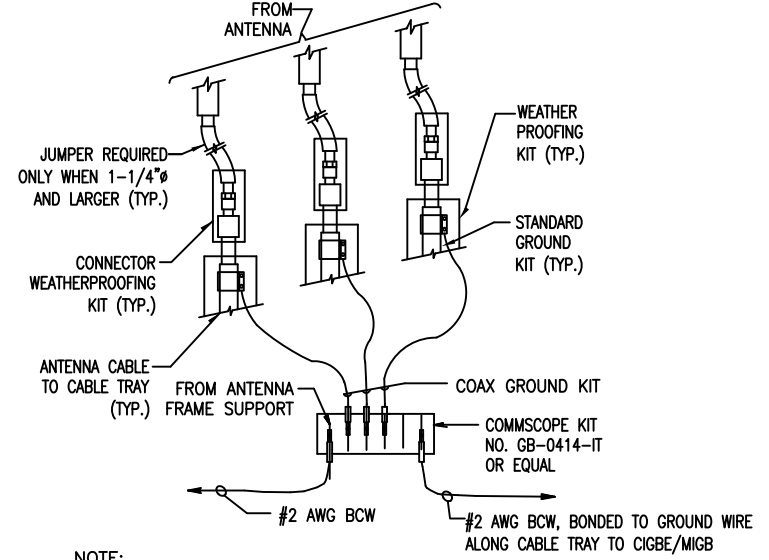
|  |   |        |  |
|--|---|--------|--|
|  | CIRCUIT BREAKER   | ACCA   | ANTENNA CABLE COVER ASSEMBLY                               |
|  | ELECTRIC BOX  | AWG    | AMERICAN WIRE GAUGE  |
|  | ELECTRICAL CONDUIT  | BTCW   | BARE TINNED COPPER WIRE                                    |
|  | EXOTHERMIC CONNECTION (CADWELD) TO GROUND RING AND COMPRESSION TO GROUND HALO | C      | CONDUIT  |
|  | DISCONNECT SWITCH   | CIGBE  | COAX INSULATED GROUND BAR EXTERNAL CONDUIT ONLY            |
|  | GROUND ROD  | CO     | CONDUIT ONLY   |
|  | GROUND ROD WITH ACCESS  | DWG    | DRAWING  |
|  | MECHANICAL GROUND CONN.   | EGB    | EXTERNAL GROUND BAR  |
|  | GROUND ACCESS WELL  | EMT    | ELECTRICAL METALLIC TUBING                                 |
|  | GENERATOR   | (E)    | EXISTING   |
|  | FUSE  | (F)    | FUTURE   |
|  | GROUND BUS BAR  | GEN    | GENERATOR  |
|  | TELEPHONE BOX   | GFI    | GROUND FAULT CIRCUIT INTERRUPTER                           |
|  | UTILITY METER   | GND    | GROUND   |
|  | XIT GROUND ROD  | GPS    | GLOBAL POSITIONING SYSTEM                                  |
|  |   | GR     | GROWTH   |
|  |   | IGR    | INTERIOR GROUND RING (HALO)                                |
|  |   | MIGB   | MASTER ISOLATED GROUND BAR                                 |
|  |   | (P)    | PROPOSED, NEW (PROVIDE AND INSTALL UNLESS NOTED OTHERWISE) |
|  |   | PCS    | PERSONAL COMMUNICATION SERVICE                             |
|  |   | PPC    | POWER PROTECTION CABINET                                   |
|  |   | PRC    | PRIMARY RADIO CABINET                                      |
|  |   | PVC    | POLYVINYL CHLORIDE CONDUIT                                 |
|  |   | RGS    | RIGID GALVANIZED STEEL                                     |
|  |   | RWY    | RACEWAY  |
|  |   | S.L.D. | SINGLE LINE DIAGRAM  |
|  |   | TEL    | TELEPHONE  |
|  |   | TYP.   | TYPICAL  |
|  |   | WP     | WEATHERPROOF EQUIPMENT                                     |



NOTE:  
 1. NUMBER OF GROUND BARS MAY VARY DEPENDING ON THE TYPE OF TOWER. ANTENNA LOCATION AND CONNECTION ANTENNA LOCATION AND CONNECTION ORIENTATION. PROVIDE AS REQUIRED.  
 2. A SEPARATE GROUND BAR TO BE USED FOR GPS ANTENNA IF REQUIRED.



NOTES:  
 1. "DOUBLING UP" OR "STACKING" OF CONNECTION IS NOT PERMITTED.  
 2. OXIDE INHIBITING COMPOUND TO BE USED AT ALL LOCATIONS.  
 3. CADWELD DOWNLEADS FROM UPPER EGB, LOWER EGB, AND MGB.  
 4. ALL GROUND LUGS MUST BE HEAT SHRUNK AT WIRE/LUG CONNECTION



NOTE:  
 1. DO NOT INSTALL CABLE GROUND KIT AT A BEND AND ALWAYS DIRECT GROUND WIRE DOWN TO CIGBE/MIGB

**ELEC./GROUND LEGEND**

SCALE: N.T.S.

**TYP. ANTENNA CABLE GROUNDING**

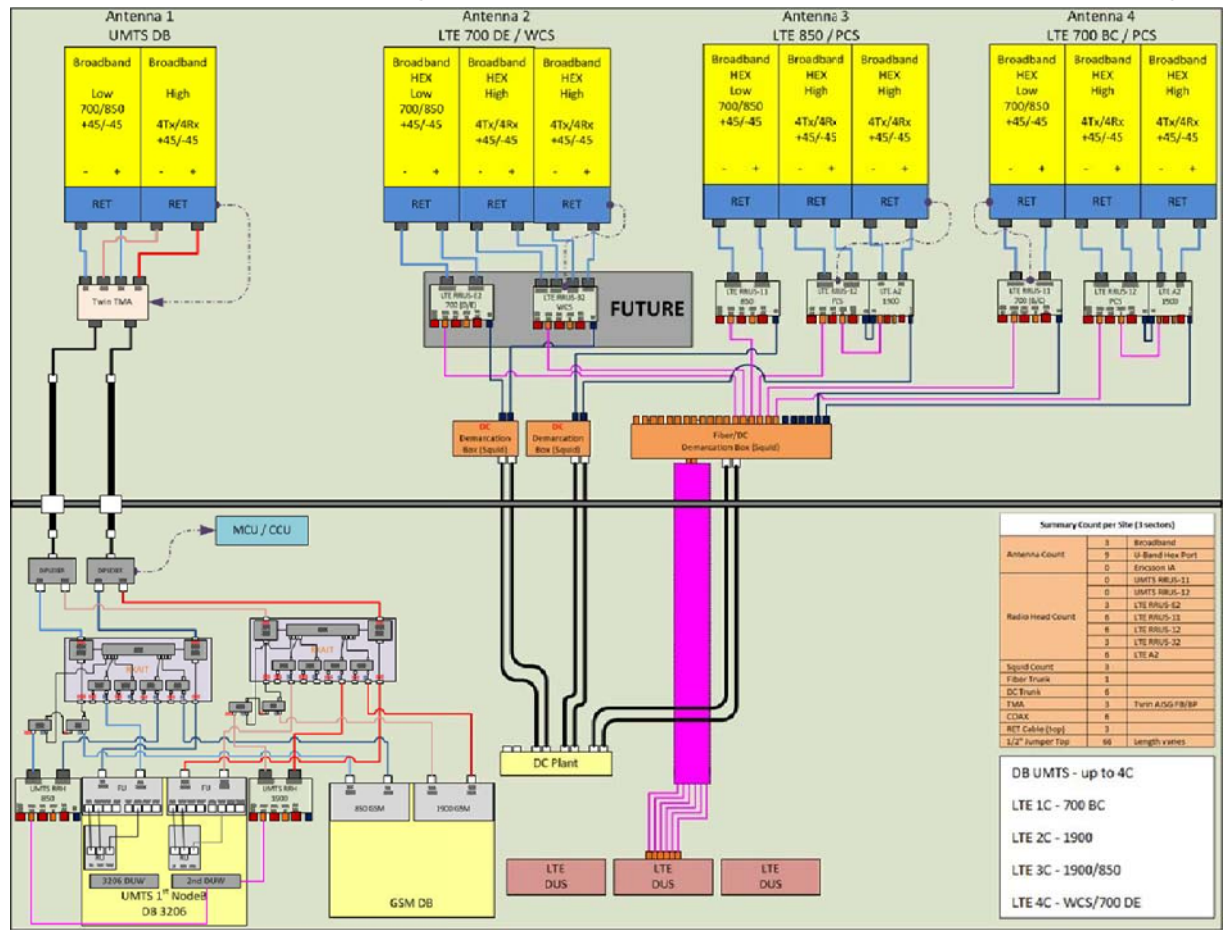
SCALE: N.T.S.

**TYP. GROUND BAR CONNECTION**

SCALE: N.T.S.

**TYP. GROUND WIRE TO GROUND BAR CONN.**

SCALE: N.T.S.



**ONE LINE PLUMBING DIAGRAM**

SCALE: N.T.S.

| WIRELESS SOLUTIONS INC. |      |              |                              |
|-------------------------|------|--------------|------------------------------|
| NO.                     | REQ. | PART NO.     | DESCRIPTION                  |
| ①                       | 1    | HLGB-0420-IS | SOLID GND. BAR (20"x4"x1/4") |
| ②                       | 2    |              | WALL MTG. BRKT.              |
| ③                       | 2    |              | INSULATORS                   |
| ④                       | 4    |              | 5/8"-11x1" H.H.C.S.          |
| ⑤                       | 4    |              | 5/8 LOCKWASHER               |

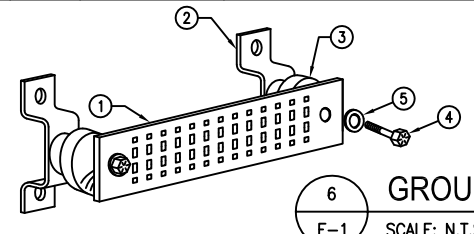
EACH GROUND CONDUCTOR TERMINATING ON ANY GROUND BAR SHALL HAVE AN IDENTIFICATION TAG ATTACHED AT EACH END THAT WILL IDENTIFY ITS ORIGIN AND DESTINATION.

**SECTION "P" - SURGE PRODUCERS**

- CABLE ENTRY PORTS (HATCH PLATES) (#2)
- GENERATOR FRAMEWORK (IF AVAILABLE) (#2)
- TELCO GROUND BAR
- COMMERCIAL POWER COMMON NEUTRAL/GROUND BOND (#2)
- +24V POWER SUPPLY RETURN BAR (#2)
- 48V POWER SUPPLY RETURN BAR (#2)
- RECTIFIER FRAMES.

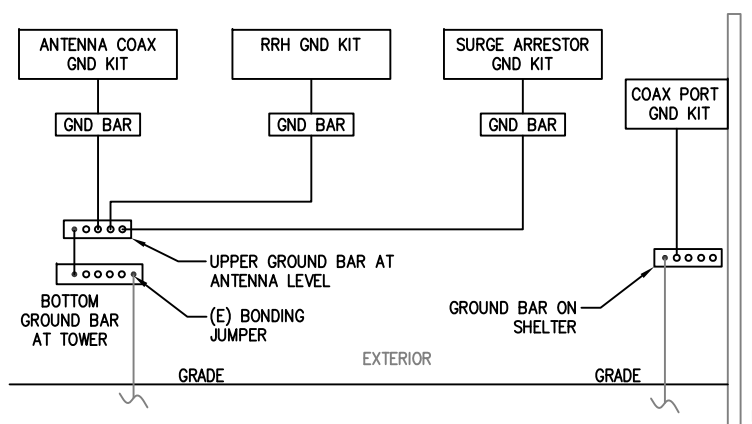
**SECTION "A" - SURGE ABSORBERS**

- INTERIOR GROUND RING (#2)
- EXTERNAL EARTH GROUND FIELD (BURIED GROUND RING) (#2)
- METALLIC COLD WATER PIPE (IF AVAILABLE) (#2)
- BUILDING STEEL (IF AVAILABLE) (#2)



**GROUND BAR DETAIL**

SCALE: N.T.S.

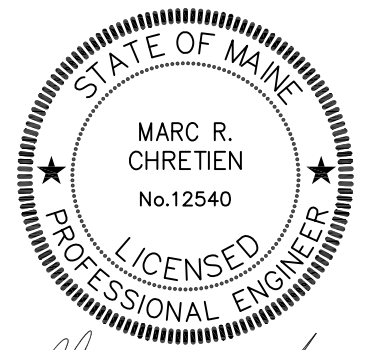


**ONE LINE GROUNDING DIAGRAM**

SCALE: N.T.S.

GROUNDING NOTES:  
 ALL GROUNDING SHALL BE DONE IN ACCORDANCE WITH THE AT&T MOBILITY GROUNDING GUIDE.

- COAX PORT GND KIT
- EQUIPMENT RACK GND KIT
- RBS 6601 GND KIT
- SURGE PROTECTION SYSTEM GND KIT



*Marc R. Chretien*



**SITE NUMBER: ME5015**  
**SITE NAME: NORTH PORTLAND**  
 1340 RIVERSIDE DRIVE  
 PORTLAND, ME 04103  
 CUMBERLAND COUNTY



| NO. | DATE     | REVISIONS                | BY  | CHK | APP'D |
|-----|----------|--------------------------|-----|-----|-------|
| 1   | 1/23/14  | ISSUED FOR CONSTRUCTION  | MER | MRC | MRC   |
| 0   | 12/26/13 | UPDATE                   | MER | MRC | MRC   |
| A   | 11/27/13 | LTE 2C ISSUED FOR REVIEW | MER | MRC | MRC   |

SCALE: AS SHOWN    DESIGNED BY: MRC    DRAWN BY: MER

| AT&T              |                |     |
|-------------------|----------------|-----|
| GROUNDING DETAILS |                |     |
| JOB NUMBER        | DRAWING NUMBER | REV |
| 5015 LTE 2C       | G-1            | 1   |