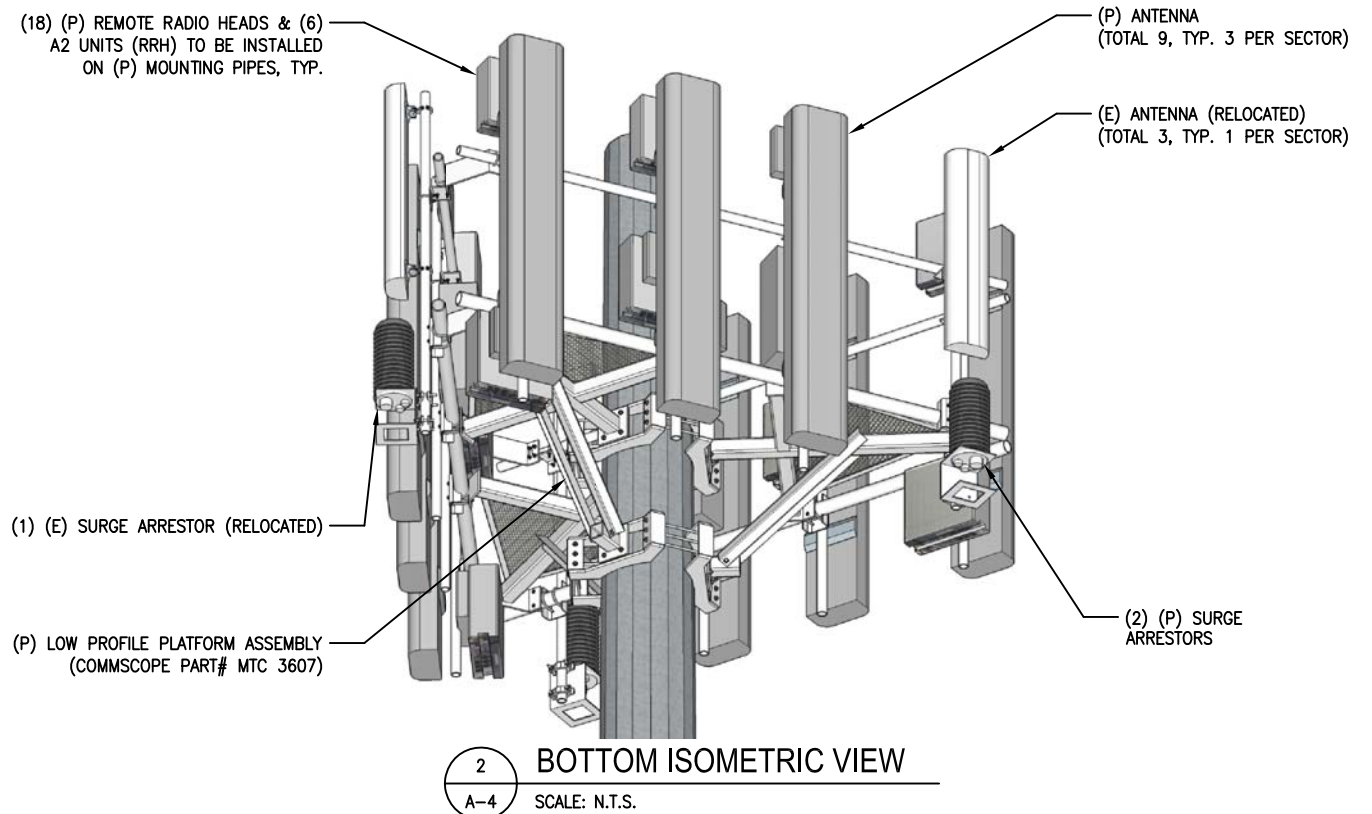
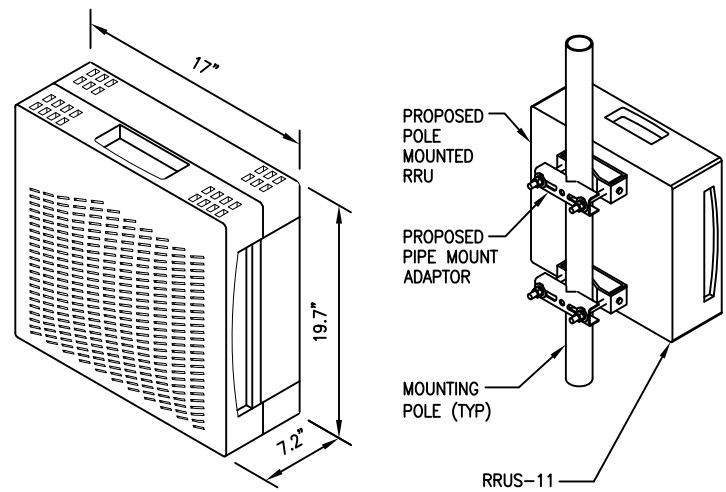


1 TOP ISOMETRIC VIEW
A-4 SCALE: N.T.S.

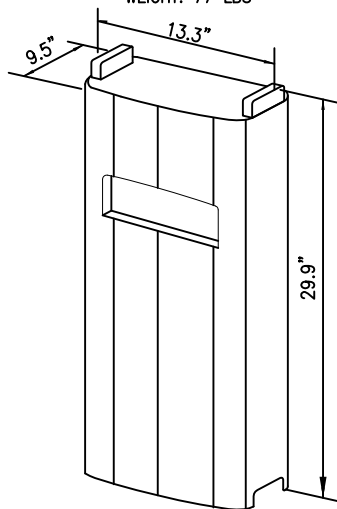


2 BOTTOM ISOMETRIC VIEW
A-4 SCALE: N.T.S.

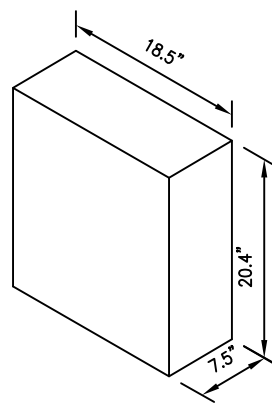
ERICSSON RRUS-11
 -DIMENSIONS (H x W x D): 19.7" x 17.0" x 7.2" (INCLUDES SUNSHIELD)
 -WEIGHT: 50 LBS
 -CLIMATE: -40°C TO +55°C (SELF CONVECTION SILENT, NO FANS, IP55)
 -POWER CONSUMPTION: 200 WATTS (TYP.)



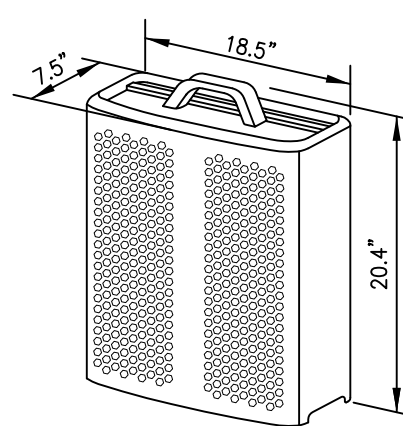
ERICSSON RRUS-32
 -DIMENSIONS (H x W x D): 29.9" x 13.3" x 9.5"
 -WEIGHT: 77 LBS



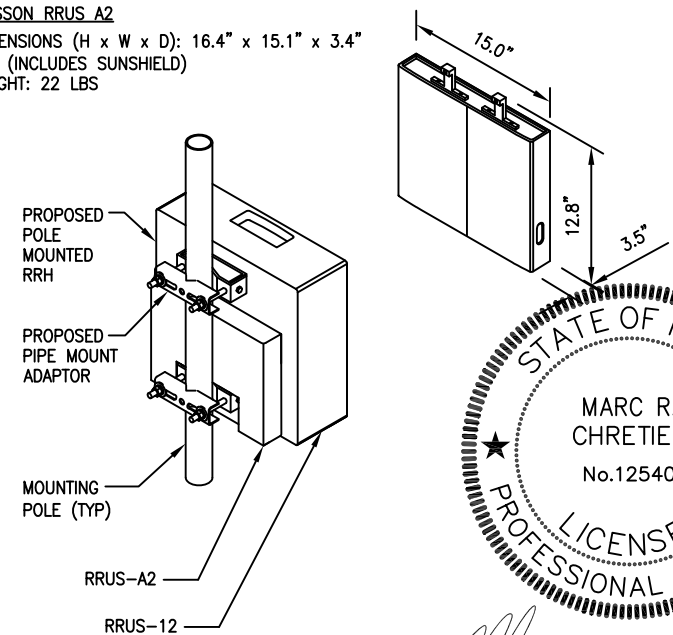
ERICSSON RRUS-E2
 -DIMENSIONS (H x W x D): 20.4" x 18.5" x 7.5"
 -WEIGHT: 58 LBS



ERICSSON RRUS-12
 -DIMENSIONS (H x W x D): 20.4" x 18.5" x 7.5"
 (INCLUDES SUNSHIELD)
 -WEIGHT: 50 LBS

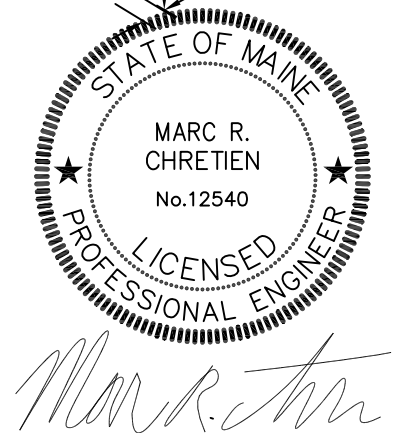


ERICSSON RRUS A2
 -DIMENSIONS (H x W x D): 16.4" x 15.1" x 3.4"
 (INCLUDES SUNSHIELD)
 -WEIGHT: 22 LBS



NOTES:
RRU CAN ONLY BE PAINTED ON SOLAR SHIELD.

3 REMOTE RADIO HEAD (RRH) DETAILS
A-4 SCALE: N.T.S.



NO.	DATE	REVISIONS	BY	CHK	APP'D
1	1/23/14	ISSUED FOR CONSTRUCTION	MER	MRC	MRC
0	12/26/13	UPDATE	MER	MRC	MRC
A	11/27/13	LTE 2C ISSUED FOR REVIEW	MER	MRC	MRC
SCALE: AS SHOWN		DESIGNED BY: MRC	DRAWN BY: MER		

AT&T		
DETAILS		
JOB NUMBER	DRAWING NUMBER	REV
5015 LTE 2C	A-4	1