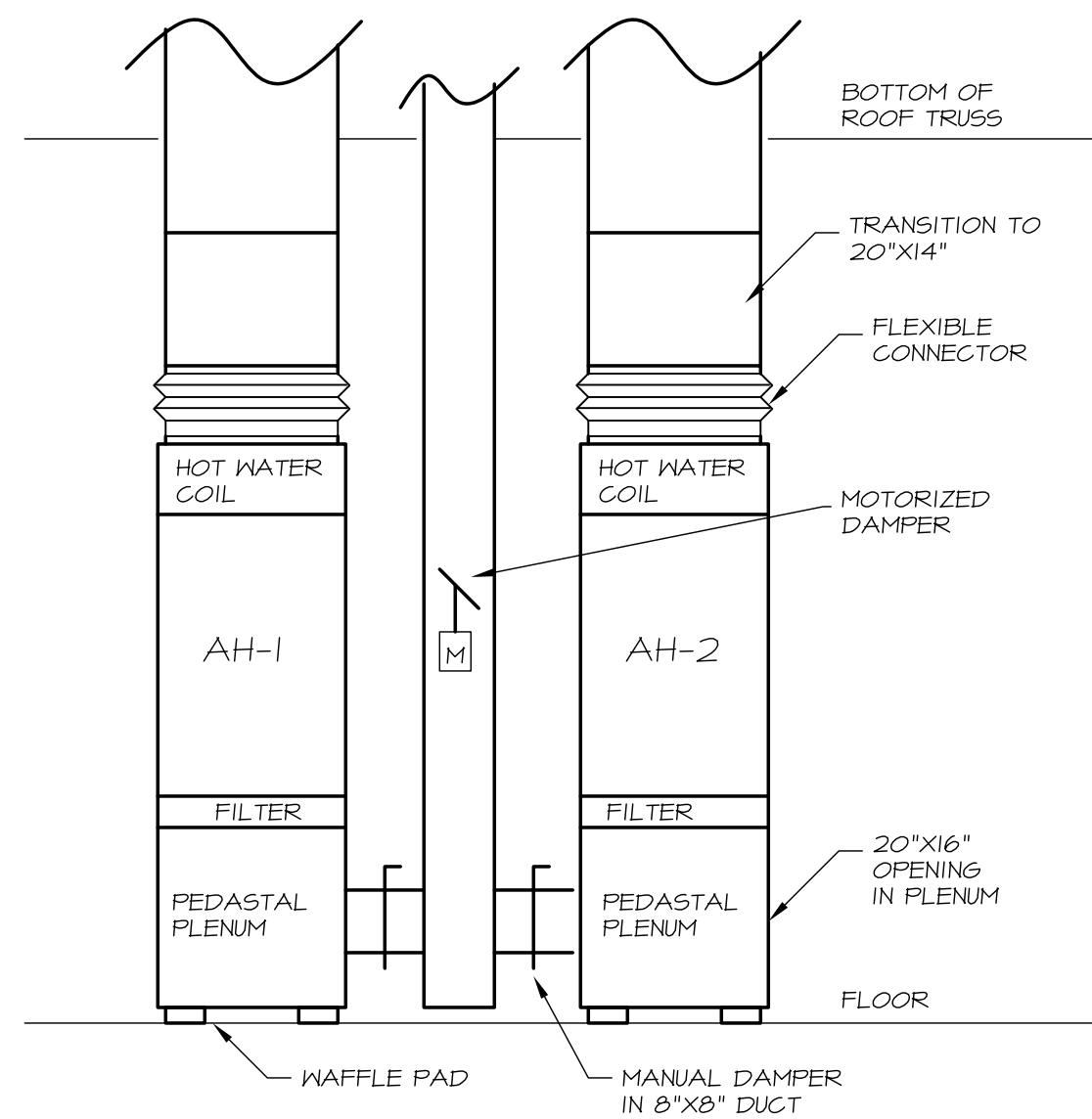




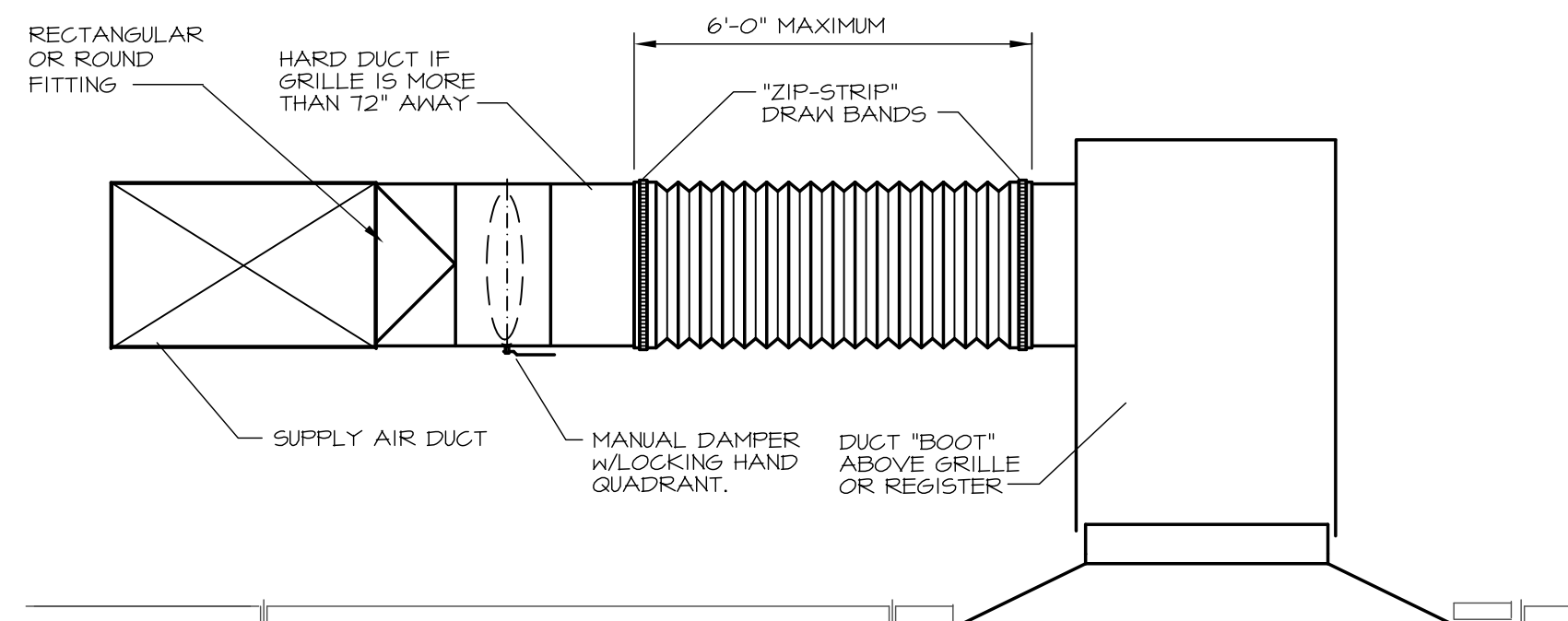
HVAC & plumbing Engineering:  
MECHANICAL SYSTEMS ENGINEERS

Electrical Engineering:  
SWIFT CURRENT ENGINEERING

Food Service Design Consultant:  
TJM CONSULTING



**1** SECTION VIEW OF AIR HANDLERS  
NO SCALE



**2** FLEXIBLE DUCT & DIFFUSER CONNECTION DETAIL  
NO SCALE

**Riverside  
Golf Course -  
North Course  
Club House  
Renovations**

Riverside Street  
Portland, Maine

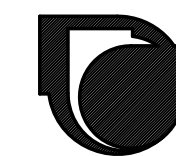
REVISIONS

CONTRACT  
DOCUMENTS  
February 03, 2014

**Mechanical  
Details**

Noted

**M5**



**MECHANICAL SYSTEMS ENGINEERS**  
ROYAL RIVER CENTER, UNIT #10  
10 FOREST FALLS DRIVE  
YARMOUTH, MAINE 04096  
FACEBOOK: MECHANICAL SYSTEMS ENGINEERS  
207-846-1441  
M.S.E. Proj. 1334  
© COPYRIGHT 2014