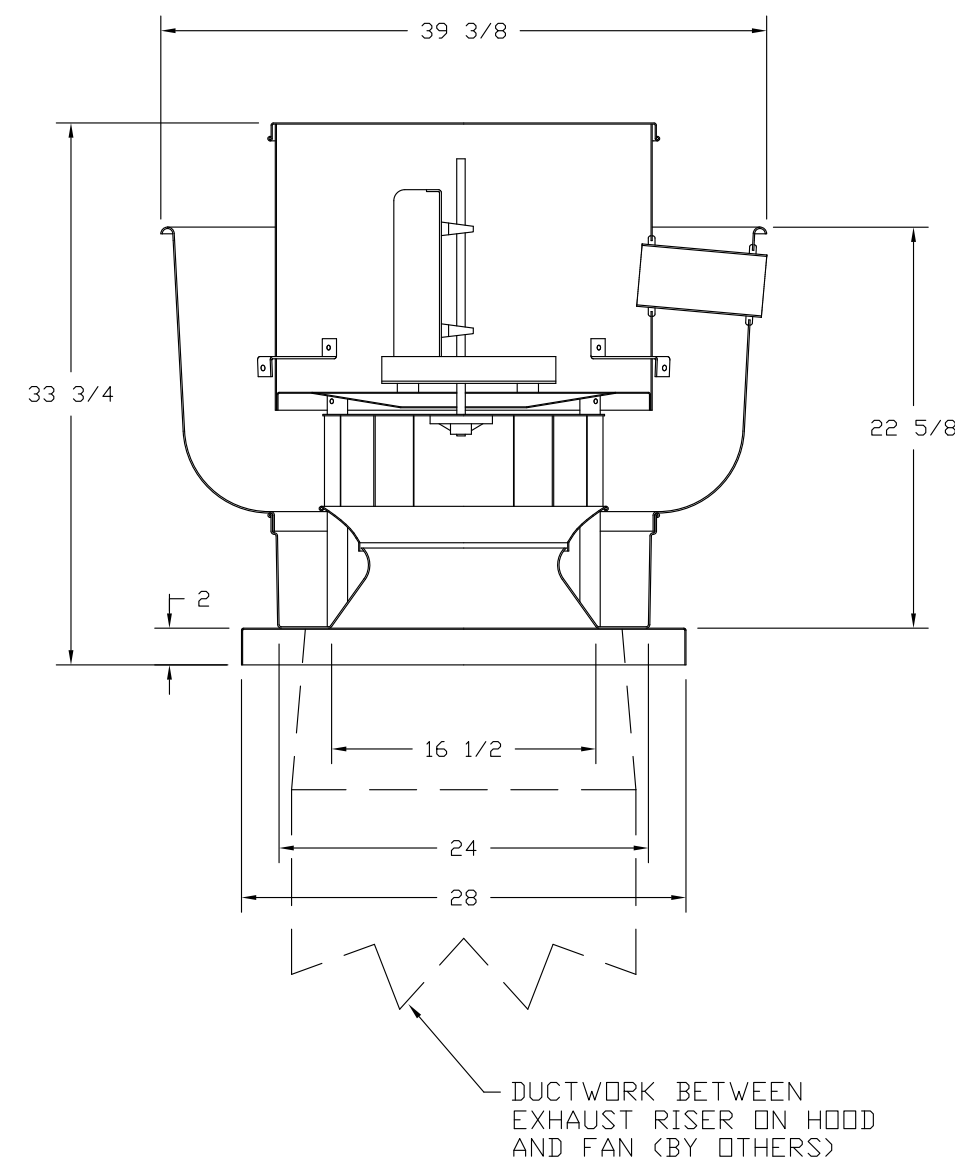


FAN #1 NCA1GFA - EXHAUST FAN



FEATURES:

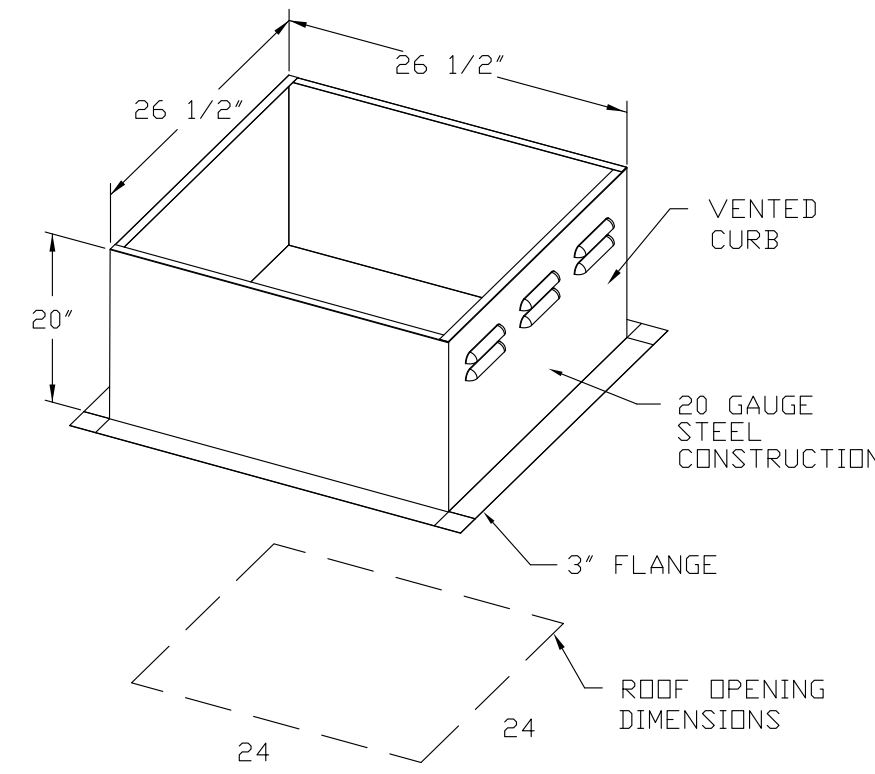
- ROOF MOUNTED FANS
- RESTAURANT MODEL
- UL705 AND UL762
- AMCA SOUND AND AIR CERTIFIED
- WIRING FROM MOTOR TO DISCONNECT SWITCH
- WEATHERPROOF DISCONNECT
- HIGH HEAT OPERATION 300°F (149°C)
- GREASE CLASSIFICATION TESTING

NORMAL TEMPERATURE TEST
EXHAUST FAN MUST OPERATE CONTINUOUSLY WHILE EXHAUSTING AIR AT 300°F (149°C) UNTIL ALL FAN PARTS HAVE REACHED THERMAL EQUILIBRIUM, AND WITHOUT ANY DETERIORATING EFFECTS TO THE FAN WHICH WOULD CAUSE UNSAFE OPERATION.

ABNORMAL FLARE-UP TEST
EXHAUST FAN MUST OPERATE CONTINUOUSLY WHILE EXHAUSTING BURNING GREASE VAPORS AT 600°F (316°C) FOR A PERIOD OF 15 MINUTES WITHOUT THE FAN BECOMING DAMAGED TO ANY EXTENT THAT COULD CAUSE AN UNSAFE CONDITION.

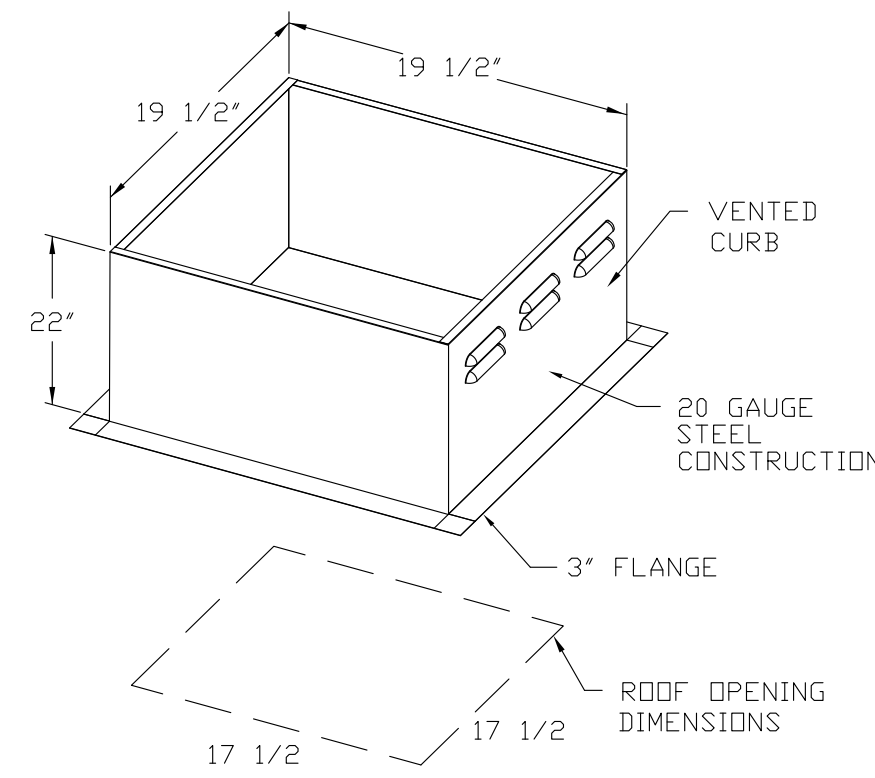
OPTIONS

- GREASE BOX
- FAN BASE CERAMIC SEAL - FOR GREASE DUCTS
- FULL CRATING FOR EXHAUST FANS



PITCHED CURBS ARE AVAILABLE FOR PITCHED ROOFS.

SPECIFY PITCH:
EXAMPLE: 7/12 PITCH = 30° SLOPE

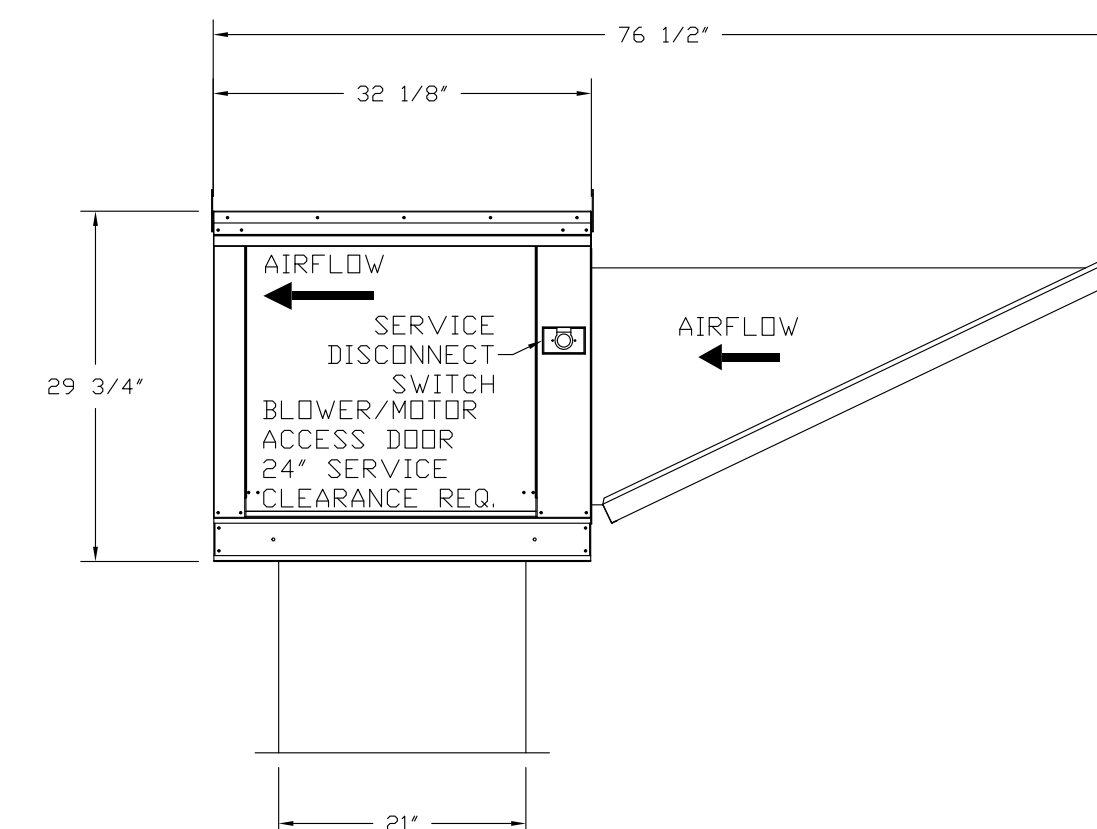
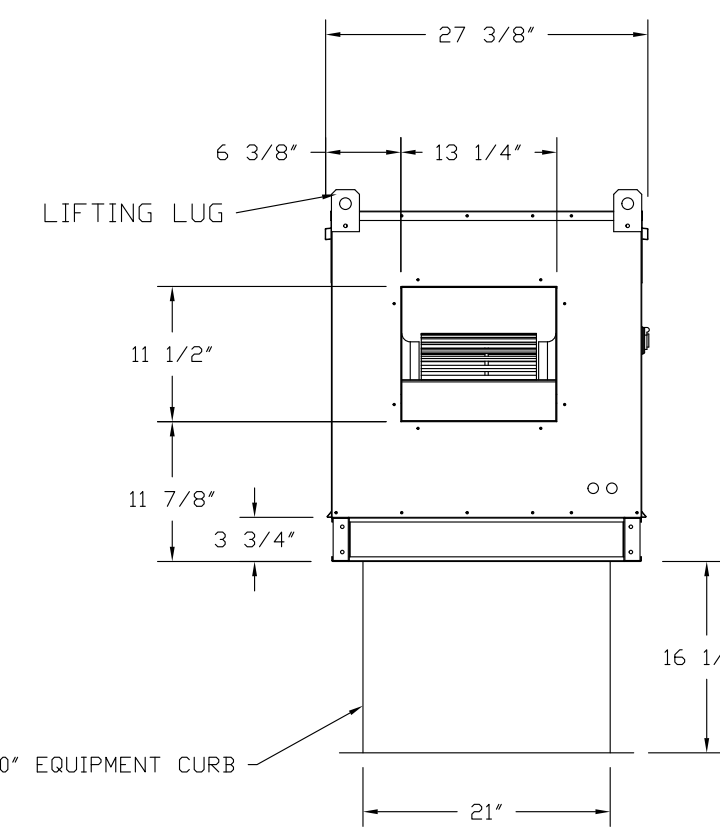
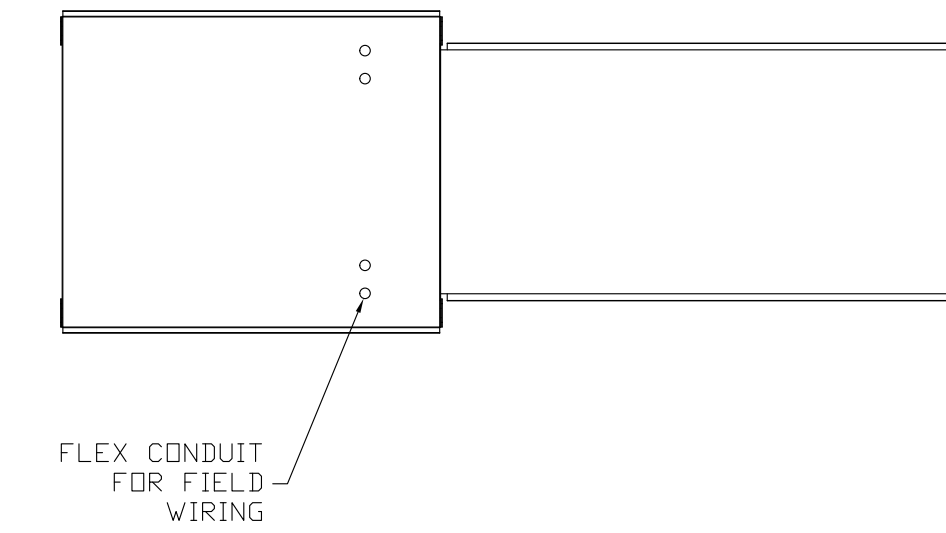


PITCHED CURBS ARE AVAILABLE FOR PITCHED ROOFS.

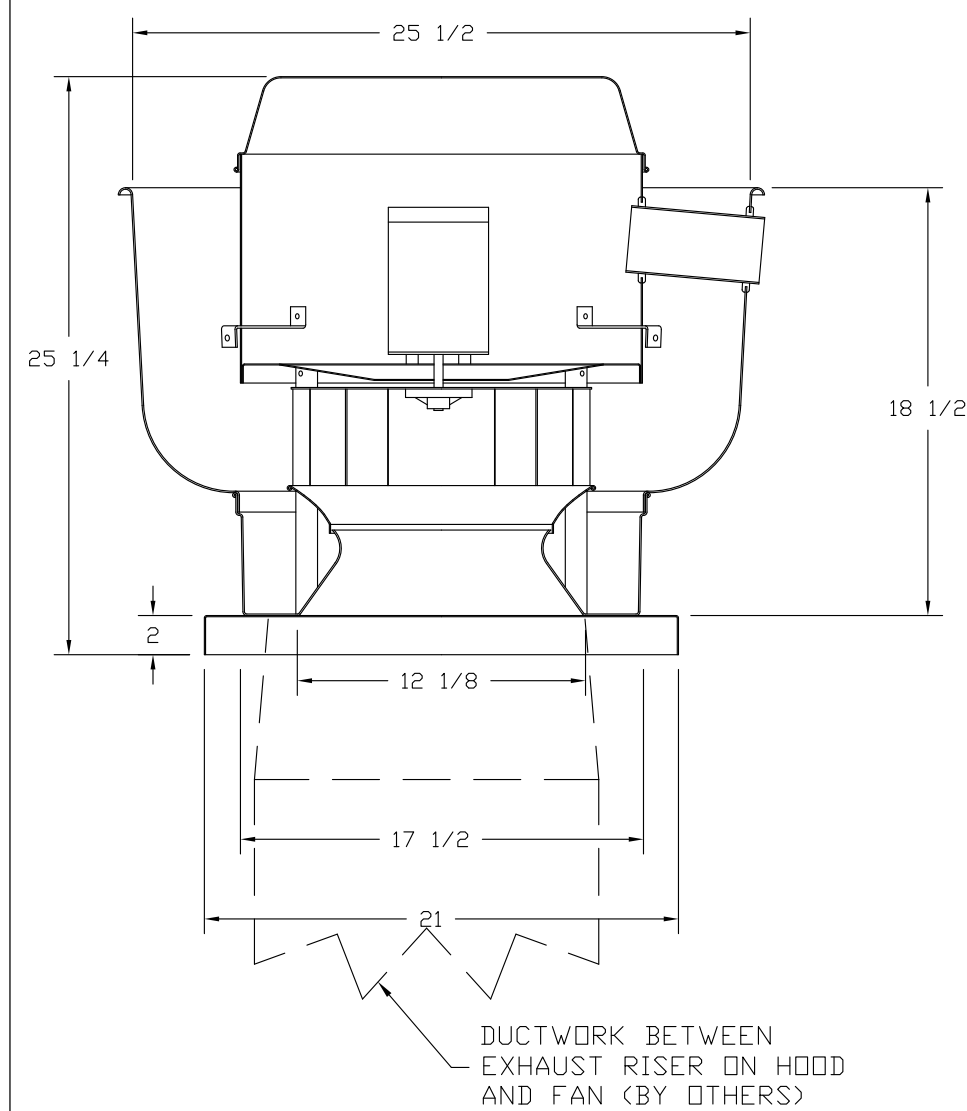
SPECIFY PITCH:
EXAMPLE: 7/12 PITCH = 30° SLOPE

FAN #2 A1-G10 - SUPPLY FAN

1. UNTEMPERED SUPPLY UNIT WITH 10" BLOWER IN SIZE #1 HOUSING
2. INTAKE HOOD WITH EZ FILTERS
3. SIDE DISCHARGE - AIR FLOW RIGHT -> LEFT
4. FULL CRATING FOR UNTEMPERED FANS FOR SHIPPING
5. GRAVITY BACK DRAFT DAMPER, 16" WIDE X 18" HIGH, STANDARD GALVANIZED CONSTRUCTION, 1 1/4" REAR FLANGE, FOR SIZE 1 UNTEMPERED FAN HOUSING (S18)



FAN #3 DU30HFA - EXHAUST FAN (DISHWASHER)



FEATURES:

- ROOF MOUNTED FANS
- RESTAURANT MODEL
- UL705 AND UL762
- VARIABLE SPEED CONTROL
- INTERNAL WIRING
- WEATHERPROOF DISCONNECT
- THERMAL OVERLOAD PROTECTION (SINGLE PHASE)
- HIGH HEAT OPERATION 300°F (149°C)
- GREASE CLASSIFICATION TESTING

NORMAL TEMPERATURE TEST
EXHAUST FAN MUST OPERATE CONTINUOUSLY WHILE EXHAUSTING AIR AT 300°F (149°C) UNTIL ALL FAN PARTS HAVE REACHED THERMAL EQUILIBRIUM, AND WITHOUT ANY DETERIORATING EFFECTS TO THE FAN WHICH WOULD CAUSE UNSAFE OPERATION.

ABNORMAL FLARE-UP TEST
EXHAUST FAN MUST OPERATE CONTINUOUSLY WHILE EXHAUSTING BURNING GREASE VAPORS AT 600°F (316°C) FOR A PERIOD OF 15 MINUTES WITHOUT THE FAN BECOMING DAMAGED TO ANY EXTENT THAT COULD CAUSE AN UNSAFE CONDITION.

OPTIONS

- 1 15-BDD DAMPER
- SCR-11 BIRD SCREEN
- FULL CRATING FOR EXHAUST FANS

ROOF PITCH FOR CURB(S) MUST BE SPECIFIED PRIOR TO RELEASING ORDER

---:12

REVISIONS

DESCRIPTION	DATE:



Riverside Golf Course r1
WINTHROP, ME

DATE: 2/26/2014

DWG.#: 1978265

DRAWN BY: BFC-21

SCALE: 3/4" = 1'-0"

MASTER DRAWING

SHEET NO. 3