

**HOOD INFORMATION - Job#1943809**

HOOD NO.	TAG	MODEL	LENGTH	MAX. COOKING TEMP.	TOTAL EXH. CFM	EXHAUST PLENUM RISER(S)					TOTAL SUPPLY CFM	HOOD CONSTRUCTION	HOOD CONFIG.	
						WIDTH	LENG.	DIA.	CFM	S.P.			END TO END	ROW
1		5424 ND-2-PSP-F	12' 0.00"	600 Deg.	3000			14"	1500	-0.395"	2700	430 SS Where Exposed	ALONE	ALONE
2	Dishwasher	4824 VHB-G	4' 0.00"	700 Deg.	600			12"	600	-0.066"	0	304 SS 100%	ALONE	ALONE

**HOOD INFORMATION**

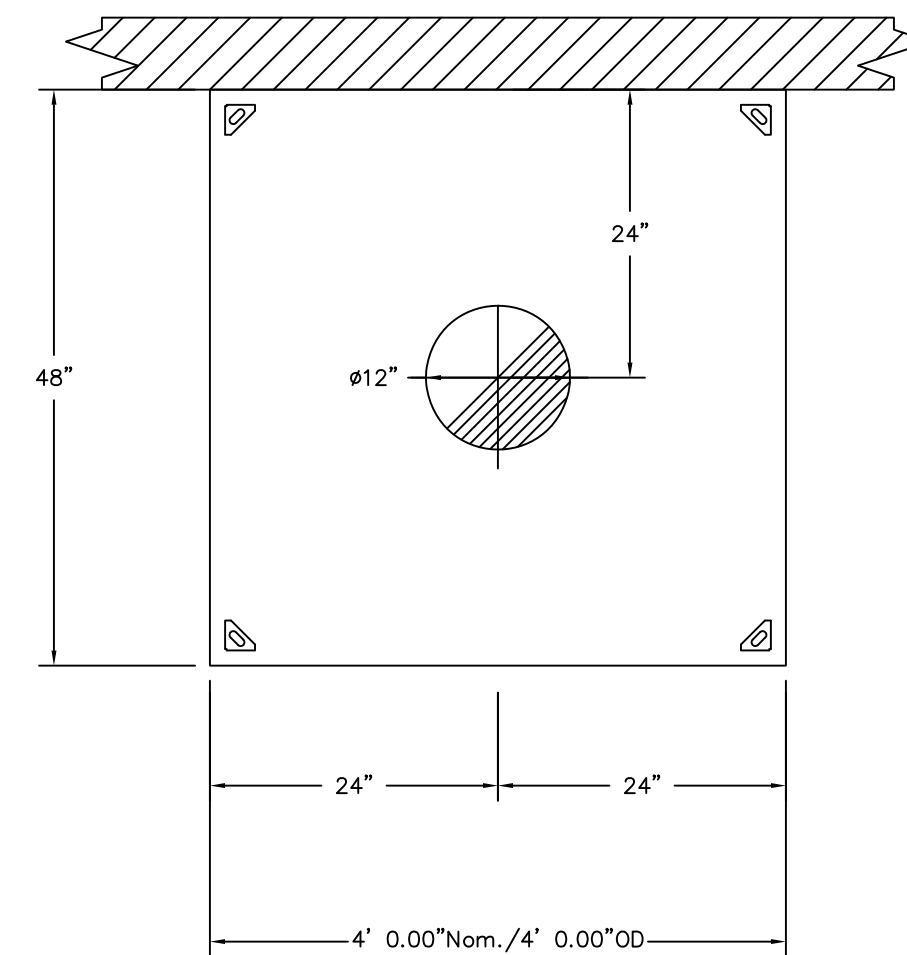
HOOD NO.	TAG	FILTER(S)			LIGHT(S)			UTILITY CABINET(S)				FIRE SYSTEM PIPING	HOOD HANGING WGT	
		TYPE	QTY.	HEIGHT	LENGTH	QTY.	TYPE	WIRE GUARD	LOCATION	FIRE SYSTEM TYPE	ELECTRICAL SIZE			SWITCHES MODEL #
1		SS Baffle with Handles	4	16"	20"	4	Screw In Compact	NO					NO	798 LBS
2	Dishwasher					0							NO	178 LBS

**HOOD OPTIONS**

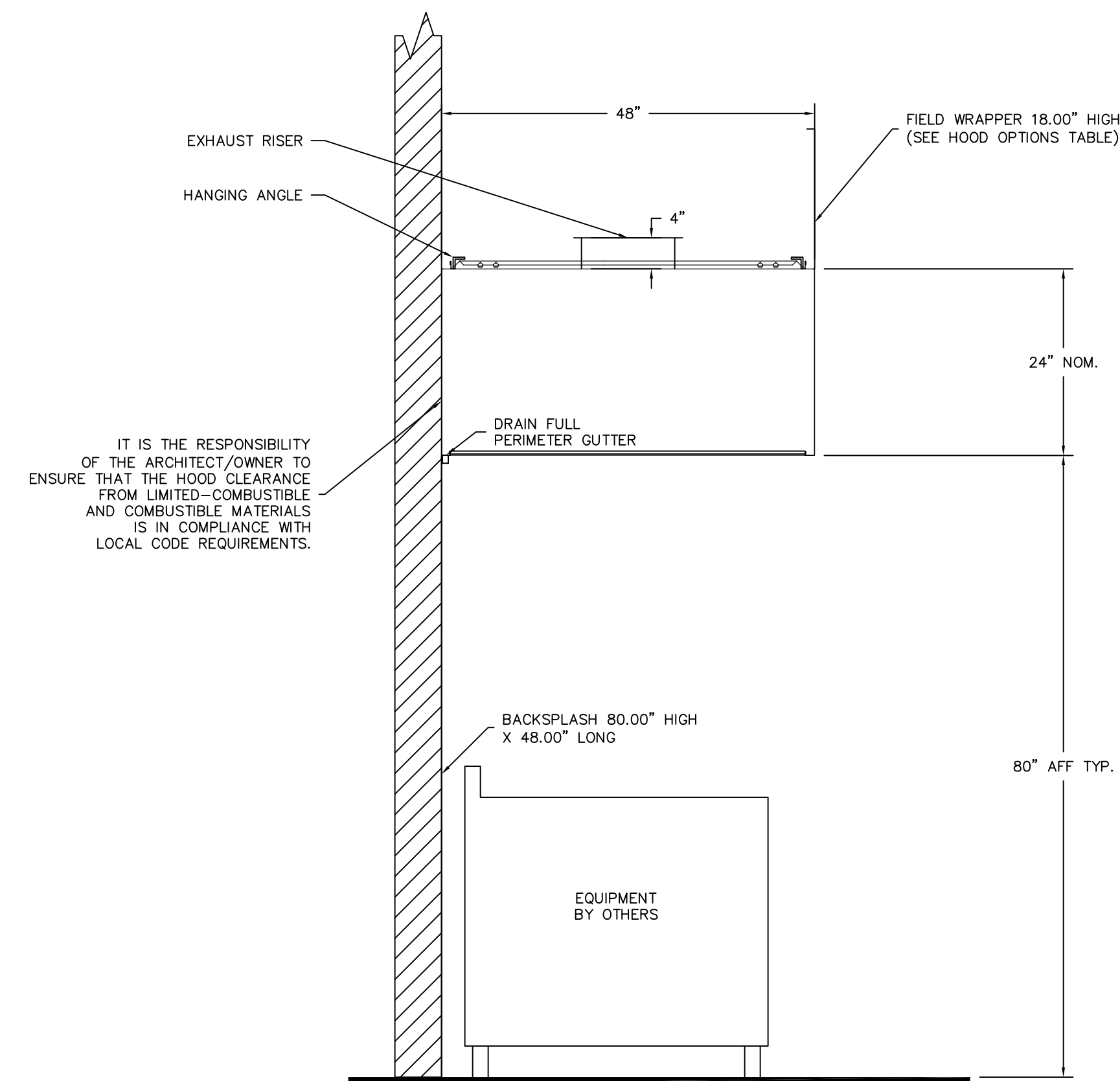
HOOD NO.	TAG	OPTION
1		FIELD WRAPPER 18.00" High Front, Left, Right
		BACKSPLASH 80.00" High X 144.00" Long 430 SS
		RIGHT VERTICAL END PANEL 27" Top Width, 21" Bottom Width, 80" High Insulated 430 SS
		LEFT VERTICAL END PANEL 27" Top Width, 21" Bottom Width, 80" High Insulated 430 SS
2	Dishwasher	FIELD WRAPPER 18.00" High Front, Right
		BACKSPLASH 80.00" High X 48.00" Long 304 SS
		LEFT SIDESPLASH 80.00" High X 48.00" Long 304 SS
		BACKSPLASH - INSIDE CORNER 80.00" High X 2.00" Leg Length 304 SS

**PERFORATED SUPPLY PLENUM(S)**

HOOD NO.	TAG	POS.	LENGTH	WIDTH	HEIGHT	TYPE	RISER(S)				
							WIDTH	LENG.	DIA.	CFM	S.P.
1		Front	144"	24"	6"	MUA	12"	28"		675	0.173"
						MUA	12"	28"		675	0.173"
						MUA	12"	28"		675	0.173"
						MUA	12"	28"		675	0.173"



PLAN VIEW - Hood #2 (Dishwasher)  
4' 0.00" LONG 4824VHB-G



SECTION VIEW - MODEL 4824VHB-G  
HOOD - #2 (Dishwasher)

IT IS THE RESPONSIBILITY OF THE ARCHITECT/OWNER TO ENSURE THAT THE HOOD CLEARANCE FROM LIMITED-COMBUSTIBLE AND COMBUSTIBLE MATERIALS IS IN COMPLIANCE WITH LOCAL CODE REQUIREMENTS.

REVISIONS	
DESCRIPTION	DATE

www.captiveair.com

**MAINE OFFICE**  
PO Box 86, 179 South Rd., Topsfield, ME, 04490 PHONE: (207) 796-2590 FAX: (819) 227-6946 EMAIL: reg21@captiveair.com

CAPTIVE

Riverside Golf Course r1  
PORTLAND, ME

DATE: 1/8/2014  
DWG.#: 1943809  
DRAWN BY: BFC-21  
SCALE: 3/4" = 1'-0"  
MASTER DRAWING

SHEET NO.  
1