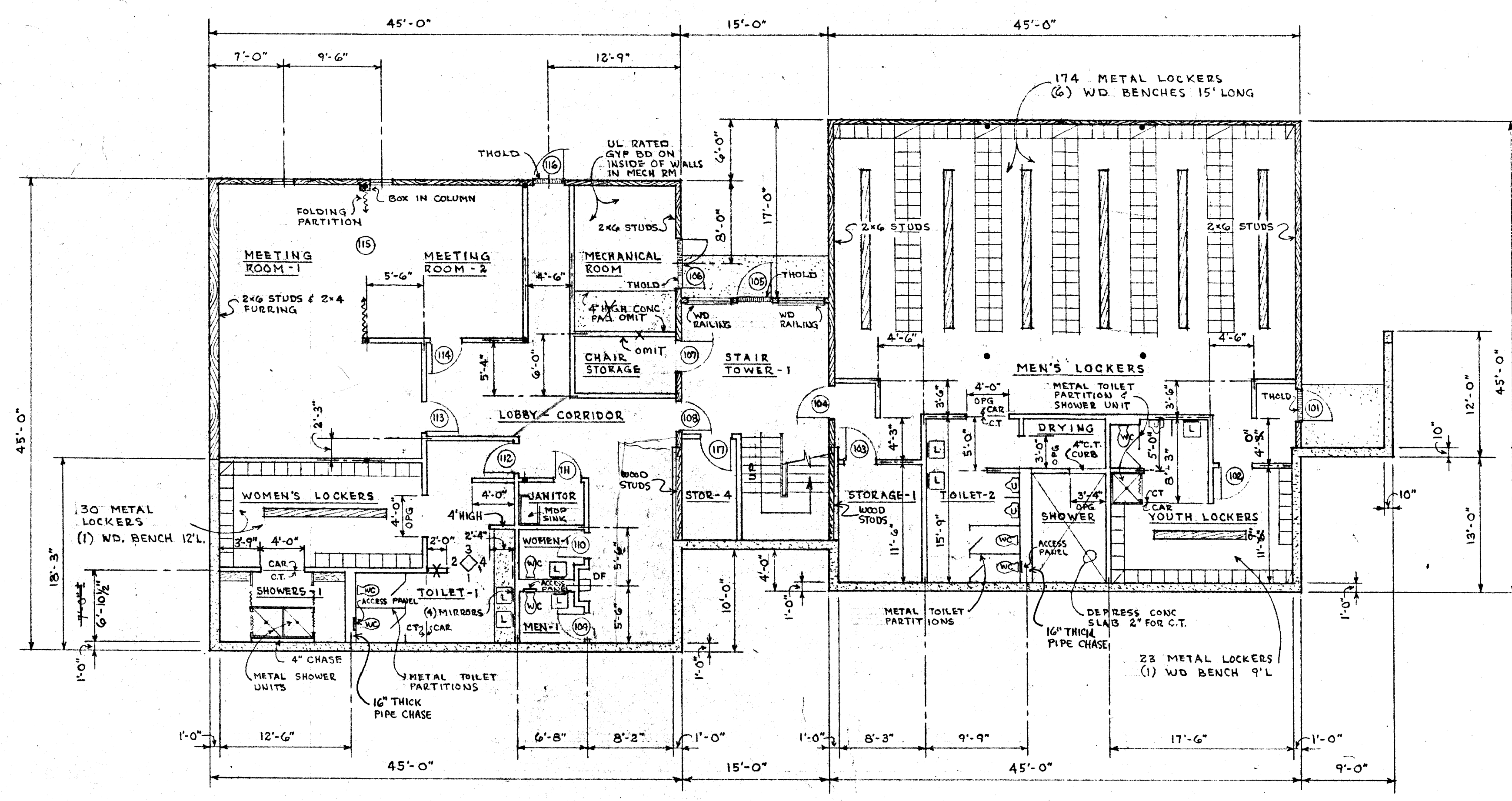


UPPER LEVEL FLOOR PLAN (ELEV. 67'-6")
SCALE 1/8" = 1'-0"



LOWER LEVEL FLOOR PLAN (ELEV. 58'-0")
SCALE 1/8" = 1'-0"

ROOM FINISH SCHEDULE

	LOCATION	FLOOR	BASE	WAINSCOT		WALLS					CEILING		DOORS	WINDOWS	TRIM	REMARKS	
				MAT	HT	N	E	S	W	MAT	HT						
												GLASS					PTD
UPPER LEVEL	STAIR TOWER - 2	CAR	WD/PTD	-	-	PTD	GLASS	S	PTD	S	1	8'-8"	PTD	-	S	WD RAILINGS STAIN RESILIENT STAIR TREADS	
	MEN - 2	C.T.	C.T.	C.T.	4'-0"	PTD	PTD	PTD	PTD	PTD	1	8'-0"	PTD	-	PTD	WAINSCOT FIXTURE WALL ONLY	
	WOMEN - 2	C.T.	C.T.	C.T.	4'-0"	PTD	PTD	PTD	PTD	PTD	1	8'-0"	PTD	-	PTD	WAINSCOT FIXTURE WALL ONLY	
	DISPLAY	CAR	R	-	-	PTD	PTD	PTD	PTD	PTD	1	8'-8"	PTD	PREFIN	PTD	PLASTIC LAMINATE COUNTER TOP PAINT WD PARTS	
	BAG STORAGE	PLYWD	WD/PTD	-	-	PTD	PTD	PTD	PTD	PTD	1	8'-8"	PTD	PREFIN	PTD	PLASTIC LAMINATE COUNTER TOP PAINT WD PARTS	
	REPAIR	PLYWD	WD/PTD	-	-	PTD	PTD	PTD	PTD	PTD	1	8'-8"	PTD	-	PTD	COUNTER PTD	
	STOR - 2	PLYWD	WD/PTD	-	-	PTD	PTD	PTD	PTD	PTD	1	8'-0"	PTD	-	PTD	WD SHELVES PTD	
	OFFICE	CAR	R	-	-	PTD	PTD	PTD	PTD	PTD	1	8'-0"	PTD	PREFIN	PTD	PLASTIC LAMINATE COUNTER TOP PAINT WD PARTS	
	SNACK BAR	PLYWD	-	-	-	PTD	PTD	-	PTD	PTD	2	7'-3"	PTD	PREFIN	PTD	WD SHELVES STAIN/PLASTIC LAMINATE COUNTER TOP PAINT WD PARTS	
	SERVICE BAR	PLYWD	-	-	-	PTD	PTD	-	PTD	PTD	2	7'-3"	PTD	-	PTD	WD SHELVES STAIN/PLASTIC LAMINATE COUNTER TOP PAINT WD PARTS	
LOWER LEVEL	STAIR TOWER - 1	CAR	R	-	-	PTD	PTD	PTD	PTD	1	8'-0"	PTD	-	S	PTD	WD RAILINGS STAIN RESILIENT STAIR TREADS	
	MEN'S LOCKERS	CAR	R	-	-	PTD	PTD	PTD	PTD	1	8'-0"	PTD	-	PTD	PTD	METAL LOCKERS - WD BENCHES NO PAINT BEHIND LOCKERS	
	YOUTH'S LOCKERS	CAR	R	-	-	PTD	PTD	PTD	PTD	2	8'-0"	PTD	-	PTD	PTD	METAL LOCKERS - WD BENCHES NO PAINT BEHIND LOCKERS	
	SHOWER	C.T.	C.T.	-	-	C.T.	C.T.	C.T.	C.T.	2	8'-0"	-	-	-	C.T.		
	DRYING	C.T.	C.T.	C.T.	4'-0"	PTD	PTD	PTD	PTD	PTD	2	8'-0"	-	-	-	C.T.	
	TOILET - 2	C.T.	C.T.	C.T.	4'-0"	PTD	PTD	PTD	PTD	PTD	2	8'-0"	-	-	-	C.T.	METAL TOILET PARTITIONS FORINAL SCREEN
	STORAGE - 1	CONC	R	-	-	PTD	PTD	PTD	PTD	PTD	1	8'-0"	PTD	-	PTD		
	LOBBY - CORRIDOR	CAR	R	-	-	PTD	PTD	PTD	PTD	PTD	1	8'-0"	PTD	-	PTD		
	CHAIR STORAGE	CONC	R	-	-	PTD	PTD	PTD	PTD	PTD	1	8'-4"	PTD	-	PTD		
	MECHANICAL ROOM	CONC	R	-	-	PTD	PTD	PTD	PTD	PTD	1	8'-4"	PTD	-	PTD	UL RATED GYP BD WALLS & CEILING FOR 1 HR RATED FOLDING PARTITION	
MEETING RM - 1	CAR	R	-	-	PTD	WVC	PTD	PTD	PTD	1	8'-0"	PTD	PREFIN	PTD	FOLDING PARTITION		
MEETING RM - 2	CAR	R	-	-	PTD	-	PTD	WVC	PTD	1	8'-0"	PTD	PREFIN	PTD	FOLDING PARTITION		
WOMEN'S LOCKERS	CAR	R	-	-	PTD	PTD	PTD	PTD	PTD	1	8'-0"	-	-	PTD	METAL LOCKERS - WD BENCHES NO PAINT BEHIND LOCKERS		
SHOWERS - 1	C.T.	C.T.	GLPT	4'-0"	PTD	PTD	PTD	PTD	PTD	2	8'-0"	-	-	-	-	METAL SHOWER COMPARTMENTS	
TOILET - 1	CAR	R	C.T.	4'-0"	PTD	PTD	PTD	PTD	PTD	1	8'-0"	PTD	-	PTD	PTD	PLASTIC LAMINATE COUNTER TOP METAL TOILET PARTITIONS	
JANITOR	CONC	R	-	-	PTD	PTD	PTD	PTD	PTD	1	8'-0"	PTD	-	PTD	PTD	MOP RACK	
WOMEN - 1	C.T.	C.T.	C.T.	4'-0"	PTD	PTD	PTD	PTD	PTD	1	8'-0"	PTD	-	PTD	PTD	WAINSCOT FIXTURE WALL ONLY	
MEN - 1	C.T.	C.T.	C.T.	4'-0"	PTD	PTD	PTD	PTD	PTD	1	8'-0"	PTD	-	PTD	PTD	WAINSCOT FIXTURE WALL ONLY	
STOR - 4	CONC	R	-	-	PTD	PTD	PTD	PTD	PTD	1	8'-0"	PTD	-	PTD	PTD		

FINISH SCHEDULE KEYED NOTES

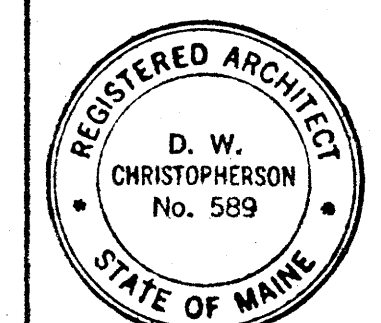
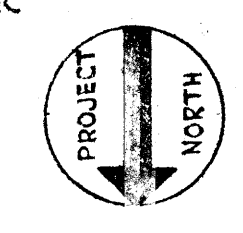
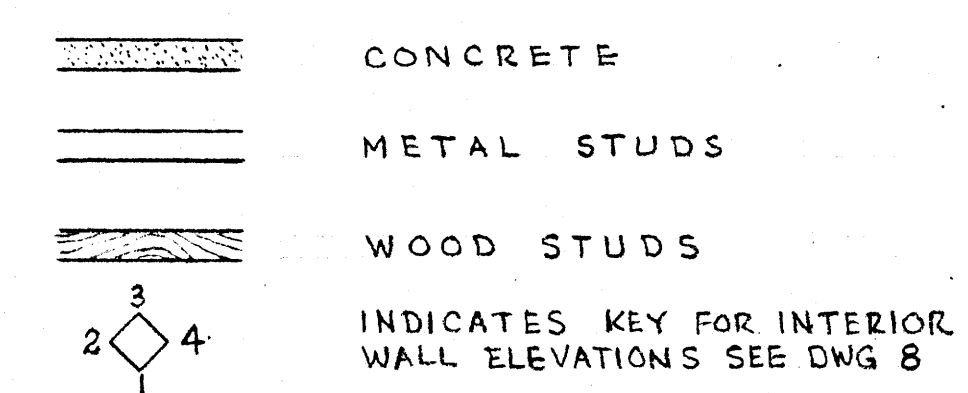
- ① TYPE 1 ACOUSTIC CEILING TILE AS SPECED 2'x4' FISSURED
- ② TYPE 2 ACOUSTIC CEILING TILE AS SPECED 2'x4' CERAMAGUARD
- ③ TYPE 3 ACOUSTIC CEILING TILE AS SPECED 2'x2' REVEAL EDGE

FINISH SCHEDULE ABBREVIATIONS

CAR.	CARPET (NOT IN CONTRACT)
WD.	WOOD
C.T.	CERAMIC TILE
PTD.	PAINTED
S.	STAIN
R.	RESILIENT
PREFIN	PREFINISHED
PLYWD	PLYWOOD
GL PT.	GLAZED PAINT
GYP BD.	GYPSUM BOARD
VWC.	VINYL WALL COVERING
CONC	CONCRETE

NOTE:
EXTEND ONE SIDE OF ALL INTERIOR PARTITIONS
TO DECK ABOVE FOR SOUND CONTROL
PROVIDE MIRROR OVER EACH LAV & AS NOTED
TYPICAL WOOD BASE WHERE SCHEDULED BRISCO B088

PARTITION CONSTRUCTION LEGEND



FLOOR PLANS & FINISH SCHEDULE
FOUR SEASON RECREATION FACILITY
AT RIVERSIDE MUNICIPAL GOLF COURSE
FOR THE CITY OF PORTLAND, MAINE
D.W. CHRISTOPHERSON
ARCHITECT
PORTLAND, MAINE
SCALE 1/8" = 1'-0" DATE OCT. 31, 1975 C7503