



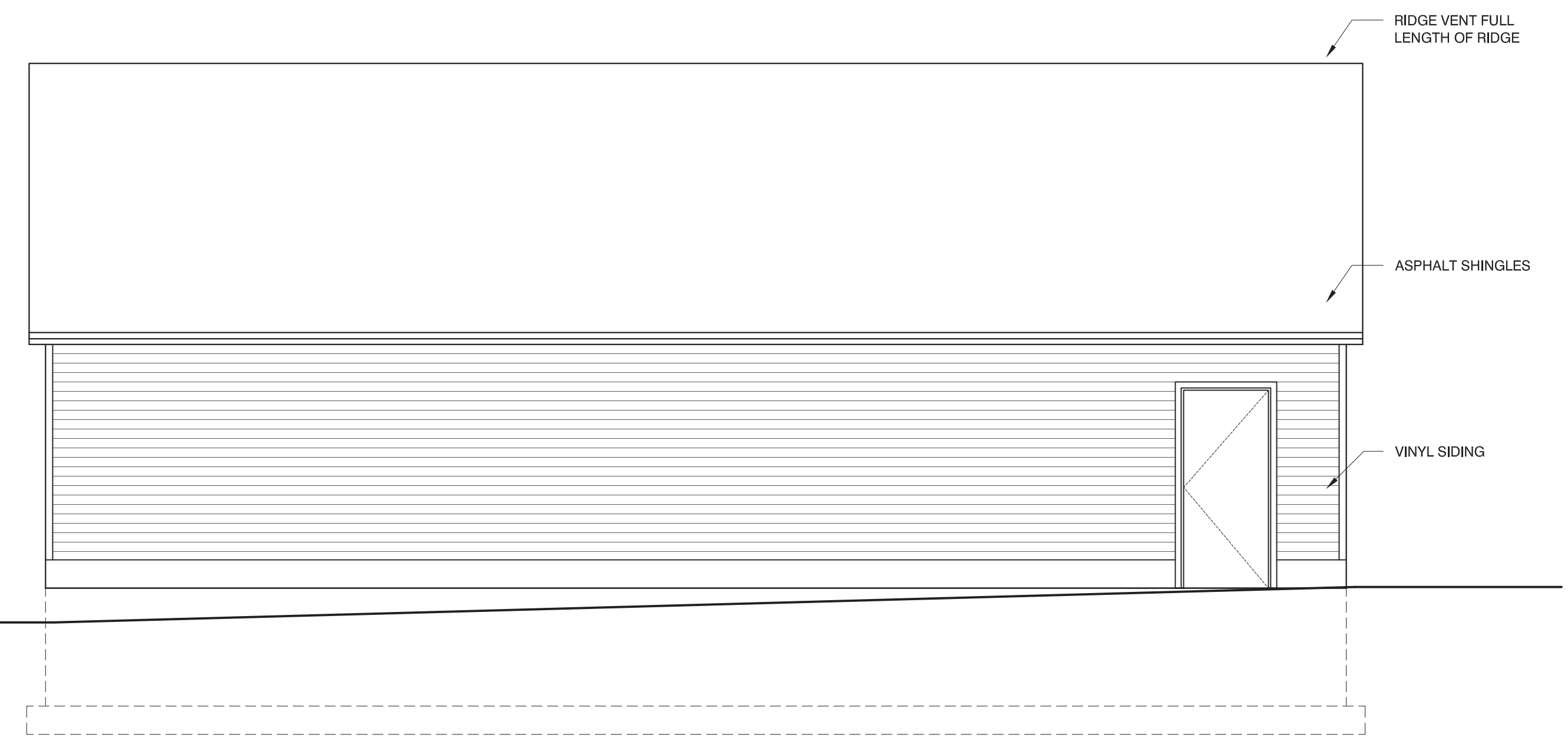
REFERENCES:
 RiversideSouthGolfCourse2011_C3D_LUS.dwg

DESIGNED BY:
 DRAWN BY:
 CHECKED BY:
 SCALE:
 DATE:



RIVERSIDE SOUTH
 GOLF COURSE PRO SHOP

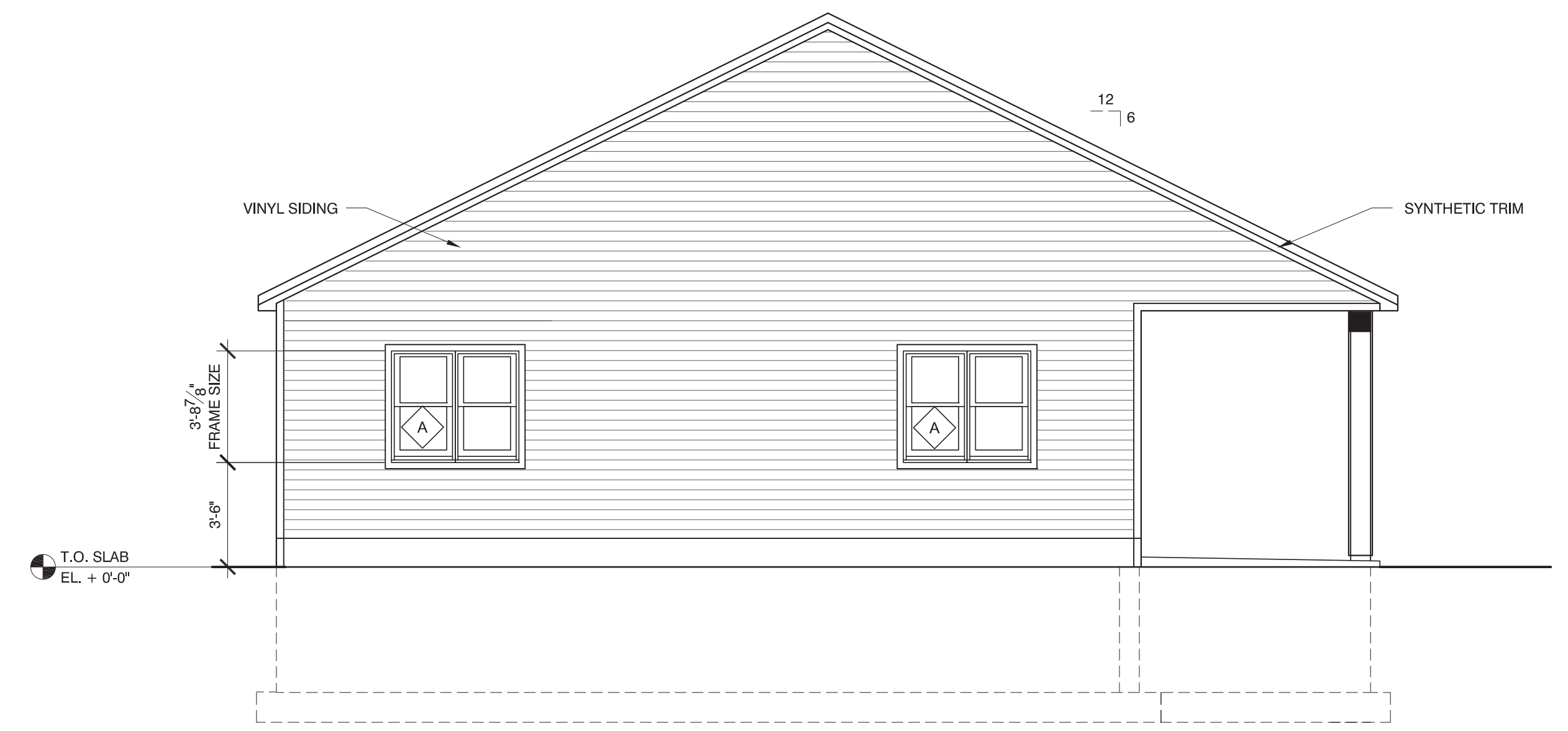
CITY OF PORTLAND, MAINE
 RECREATION AND FACILITIES
 MANAGEMENT DEPARTMENT



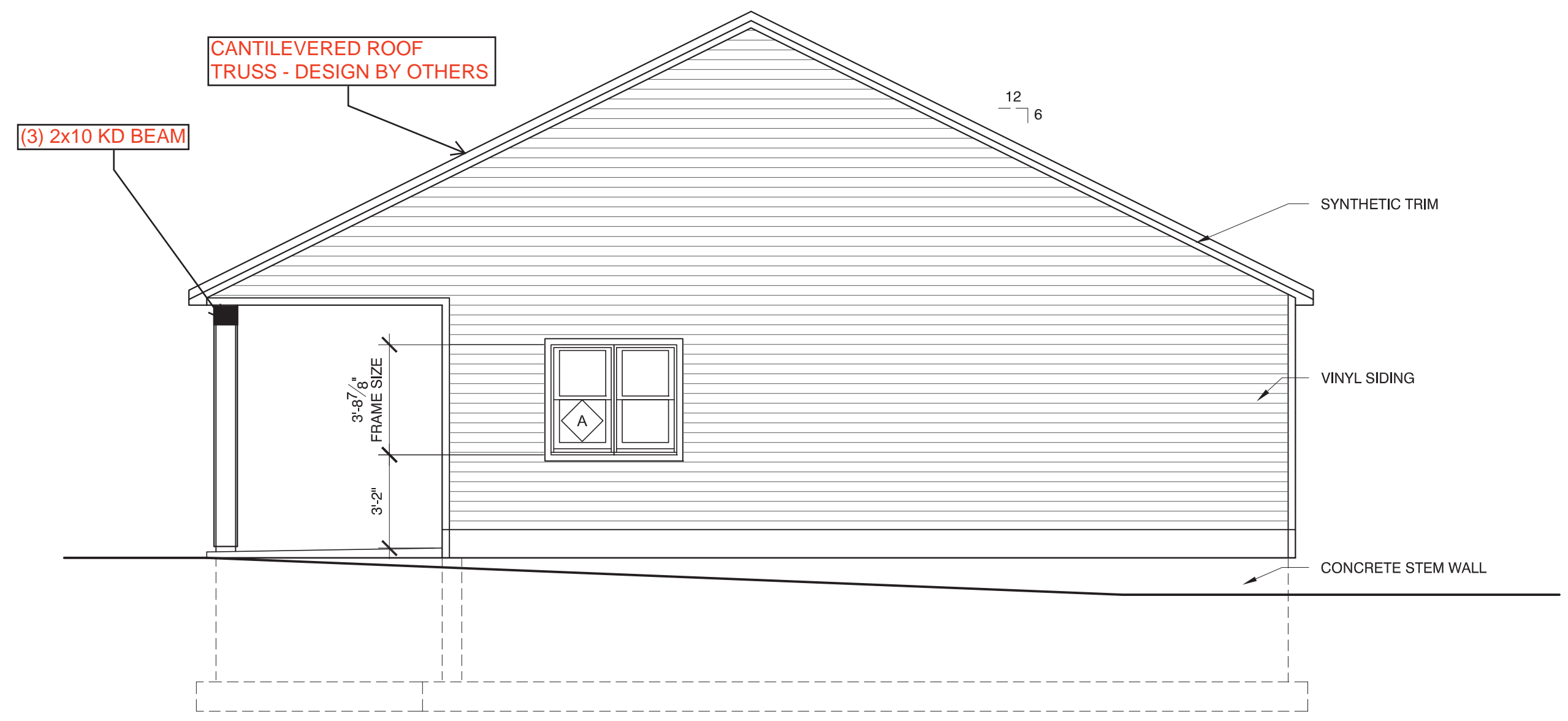
1 West Elevation
 SCALE: 1/4" = 1'-0"



2 East Elevation
 SCALE: 1/4" = 1'-0"

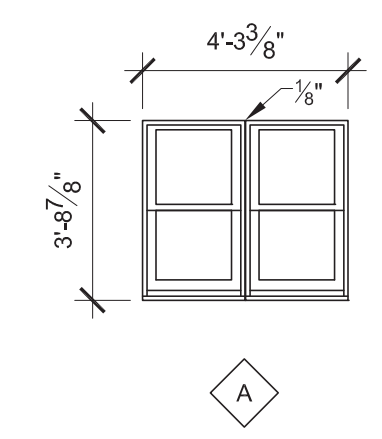


3 South Elevation
 SCALE: 1/4" = 1'-0"



4 North Elevation
 SCALE: 1/4" = 1'-0"

WINDOW SCHEDULE										
TYPE	MANF.	MODEL	OPER.	FRAME SIZE		ROUGH OPENING		SCREEN	GLAZING	REMARKS
				WIDTH	HEIGHT	WIDTH	HEIGHT			
A	ANDERSEN	244DH2036	DH	4'-3 3/8"	3'-8 7/8"	4'-3 7/8"	3'-8 7/8"	X	DOUBLE	DOUBLE UNIT, NON-REINFORCED MULLION
GENERAL NOTES:										
1. GENERAL CONTRACTOR SHALL CONFIRM ALL JAMB DEPTH DIMENSIONS PRIOR TO PLACING THE WINDOW ORDER.										
2. ALL WINDOWS TO HAVE FLAT STOCK EXTERIOR CASING TRIM AND FIELD APPLIED SUBSILL.										
TYPE KEY: DH=DOUBLE HUNG										



NOTE WELL: DESIGN LIMITED TO FOUNDATION PLAN, FLOOR PLAN, WALL SECTION.
 STRUCTURAL ENGINEERING, ELECTRICAL, LIGHTING, PLUMBING, HEATING, INTERIOR DETAILING BY OTHERS.
 ISSUED FOR PERMITTING, APRIL 12, 2013