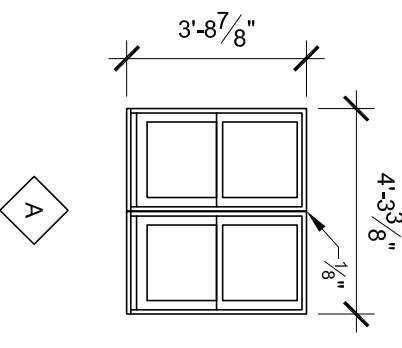


WINDOW SCHEDULE										
TYPE	MANF.	MODEL	OPER.	WIDTH	HEIGHT	WIDTH	HEIGHT	SCREEN	GLAZING	REMARKS
A	ANDERSEN	24010206	DH	4'-3 3/8"	3'-8 7/8"	4'-3 7/8"	3'-8 7/8"	X	DOUBLE	DOUBLE UNIT, NON-REINFORCED MULLION

GENERAL NOTES:  
 1. GENERAL CONTRACTOR SHALL CONFIRM ALL JAMB DEPTH DIMENSIONS PRIOR TO PLACING THE WINDOW ORDER.  
 2. ALL WINDOWS TO HAVE FLAT STOCK EXTERIOR CASING TRIM AND FIELD APPLIED SUBSILL.  
 TYPE KEY: DH=DOUBLE HUNG



NOTE WELL: DESIGN LIMITED TO FOUNDATION PLAN, FLOOR PLAN, WALL SECTION, STRUCTURAL ENGINEERING, ELECTRICAL, LIGHTING, PLUMBING, HEATING, INTERIOR DETAILING BY OTHERS. ISSUED FOR PERMITTING, APRIL 12, 2013

SSA  
 Scott Simons Architects  
 75 York Street, Portland, Maine 04101  
 www.simonsarchitects.com  
 207.772.4656

LDD PROJECT NAME:  
 N/A  
 DRAWING NAME:  
 FIELD BOOK USED:  
 N/A

DESIGNED BY:  
 DRAWN BY:  
 CHECKED BY:  
 SCALE:  
 DATE:



RIVERSIDE SOUTH  
 GOLF COURSE PRO SHOP

CITY OF PORTLAND, MAINE  
 RECREATION AND FACILITIES  
 MANAGEMENT DEPARTMENT



SHEET #  
 002  
 PLAN NUMBER