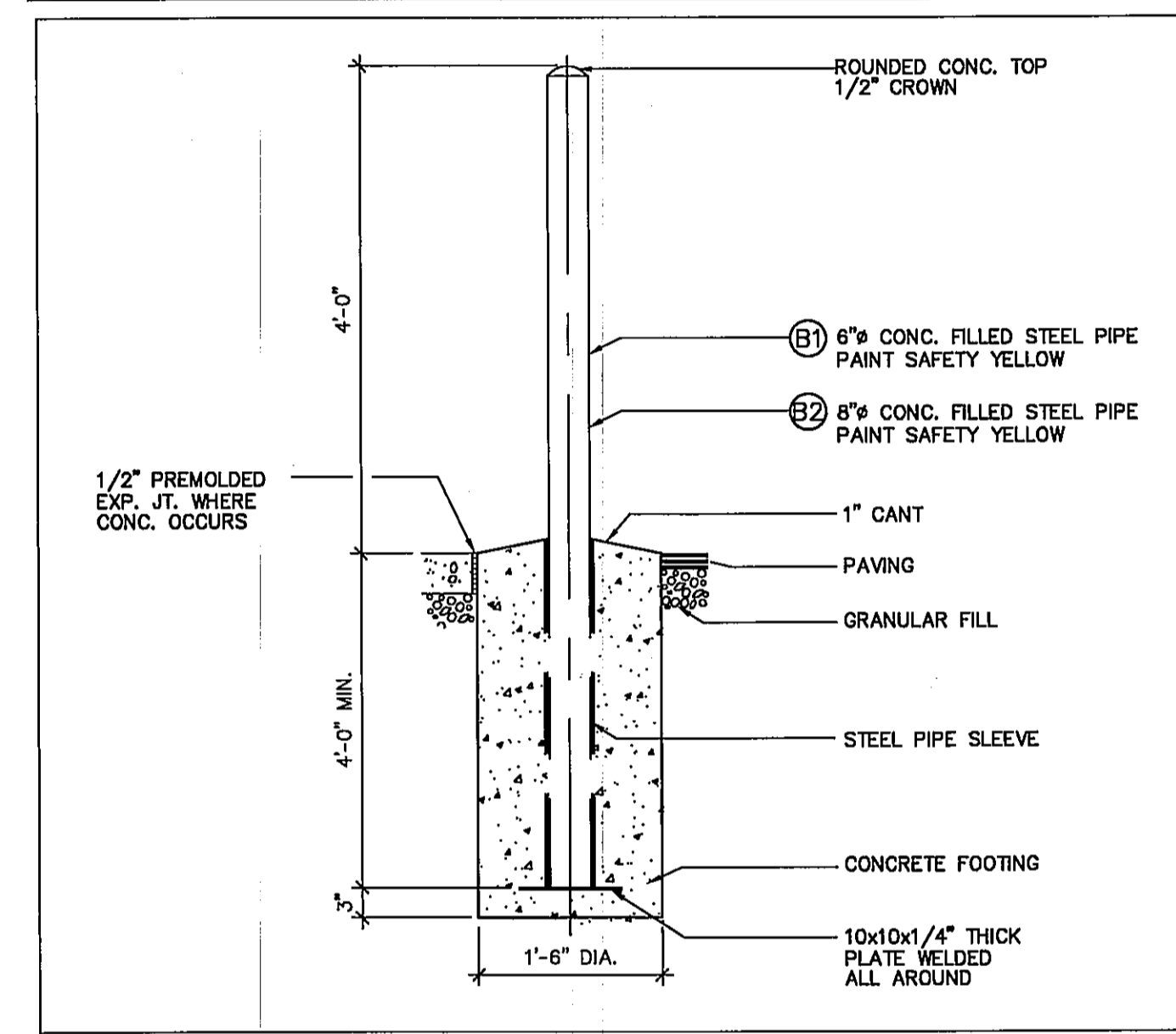
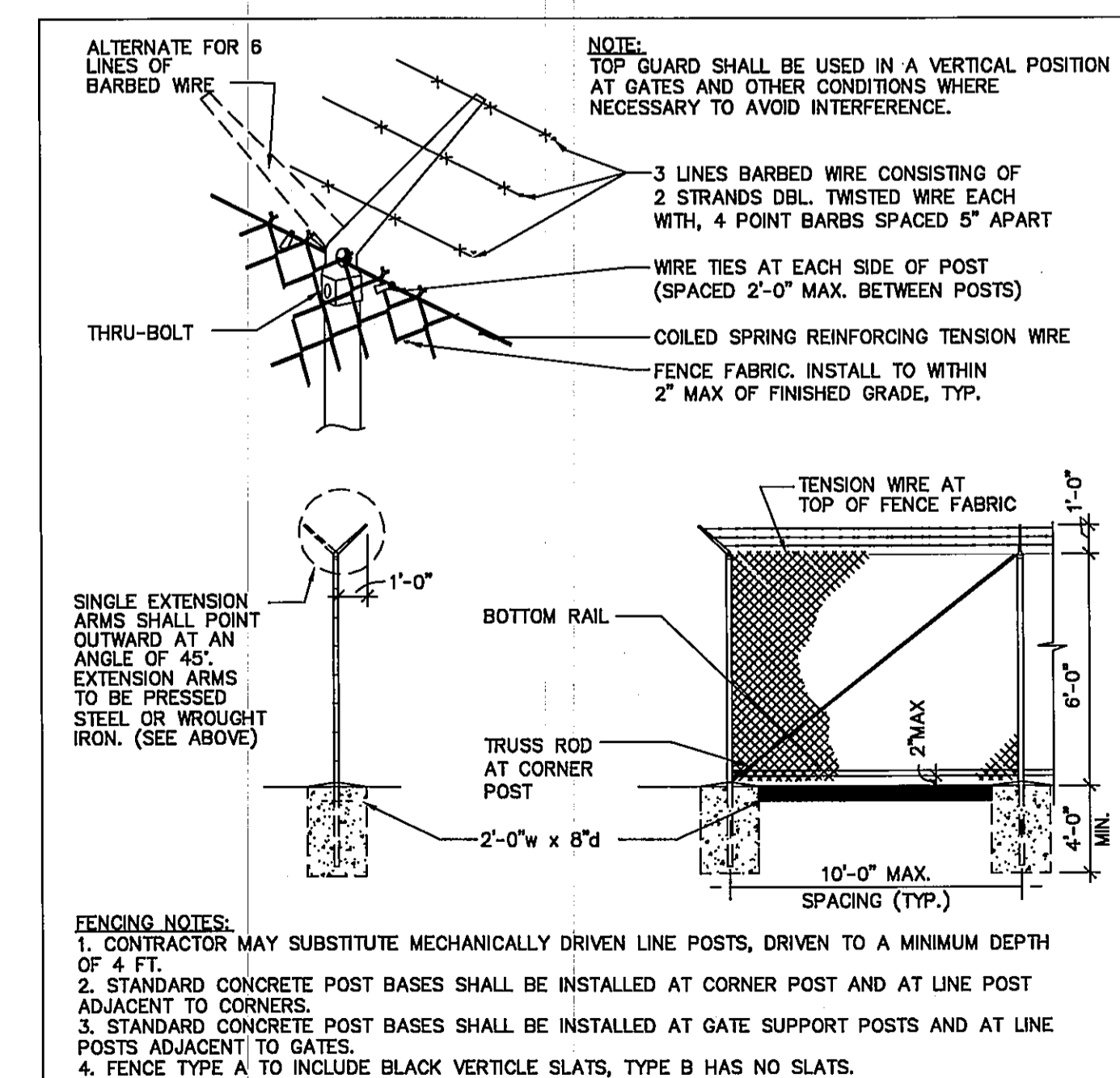


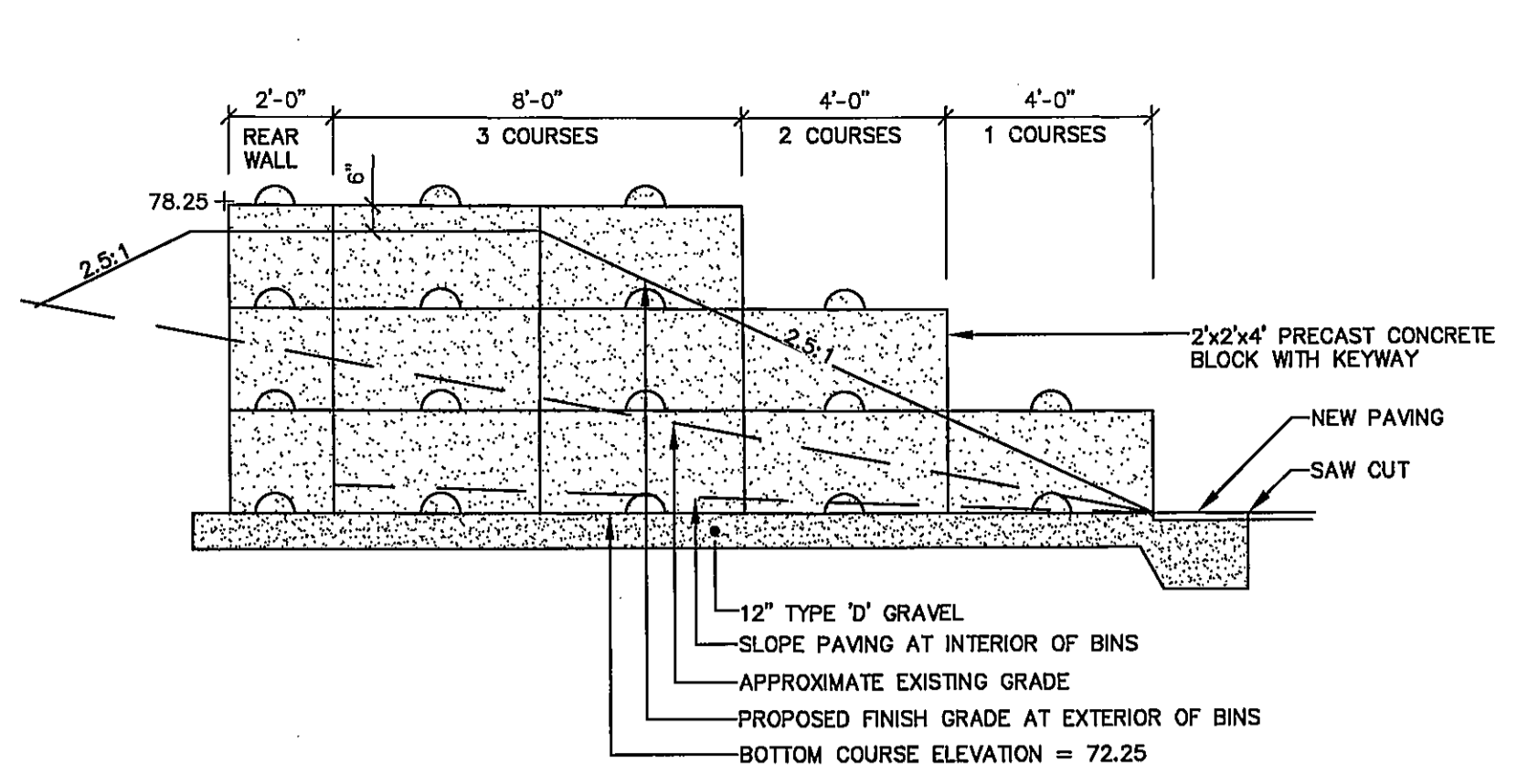
PERIMETER FENCING - SLIDING CANTILEVER GATE



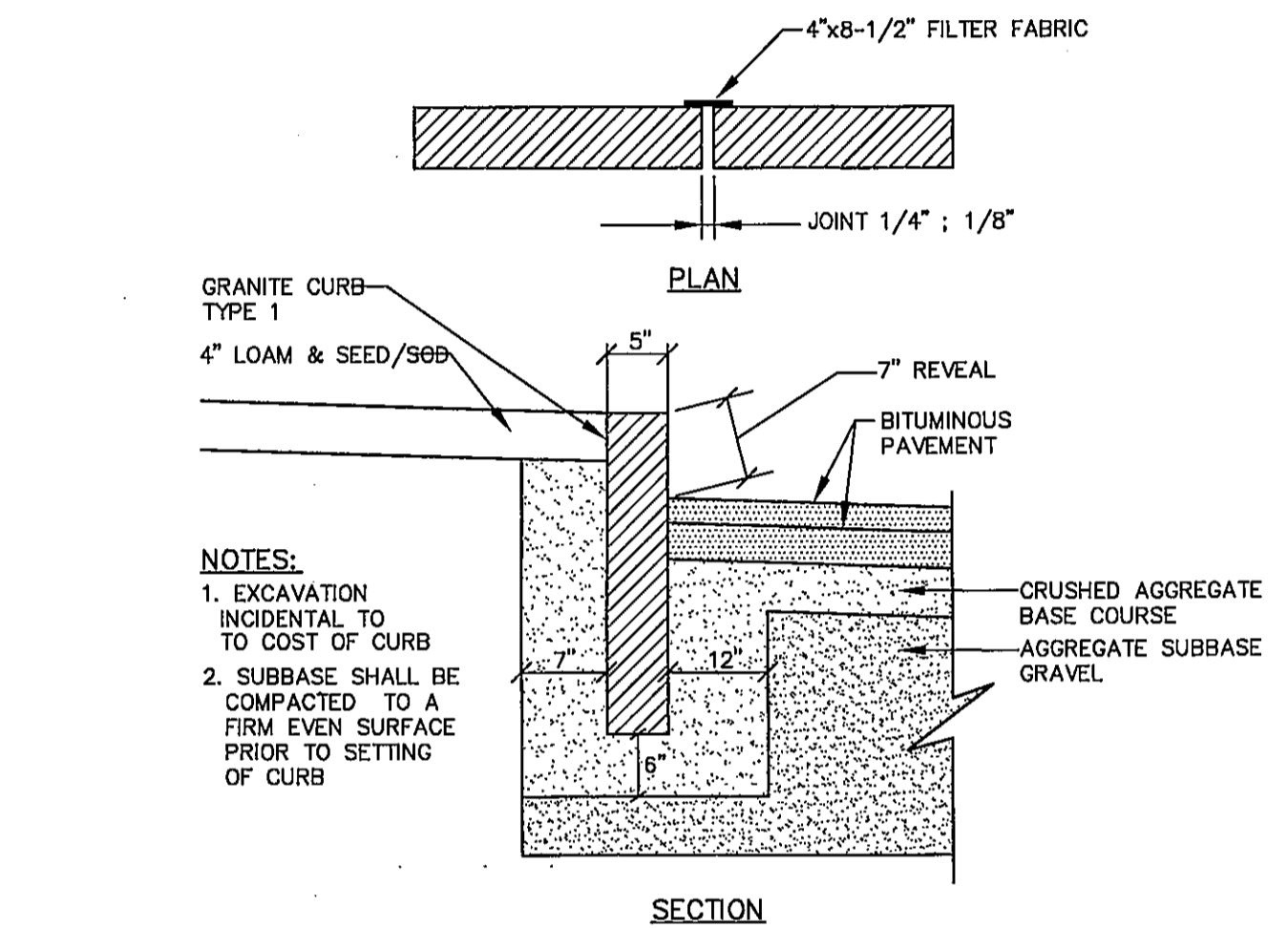
PROTECTIVE BARRIERS - DETAIL @ TYPICAL SITE PIPE BOLLARD



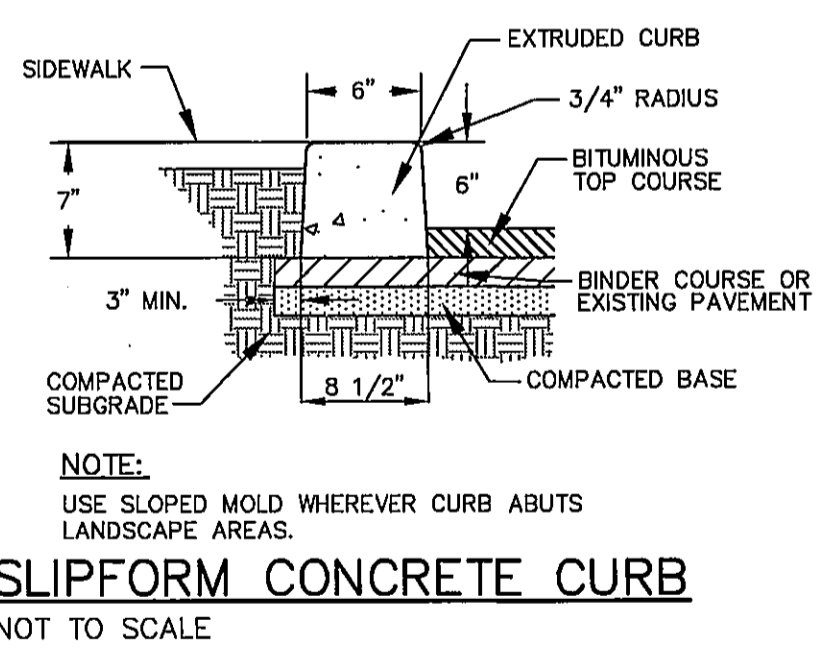
PERIMETER FENCING - CHAIN LINK FENCE AND TOP GUARD WITH MOW STRIP



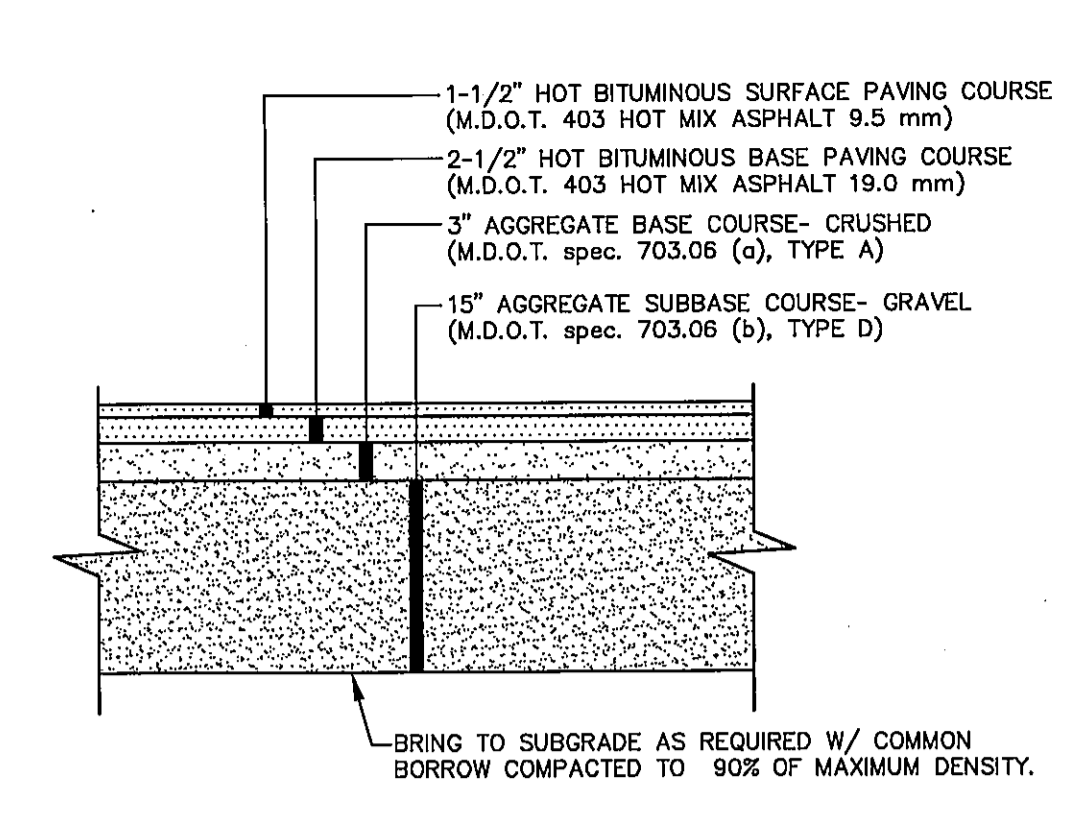
PRECAST CONCRETE AGGREGATE BINS



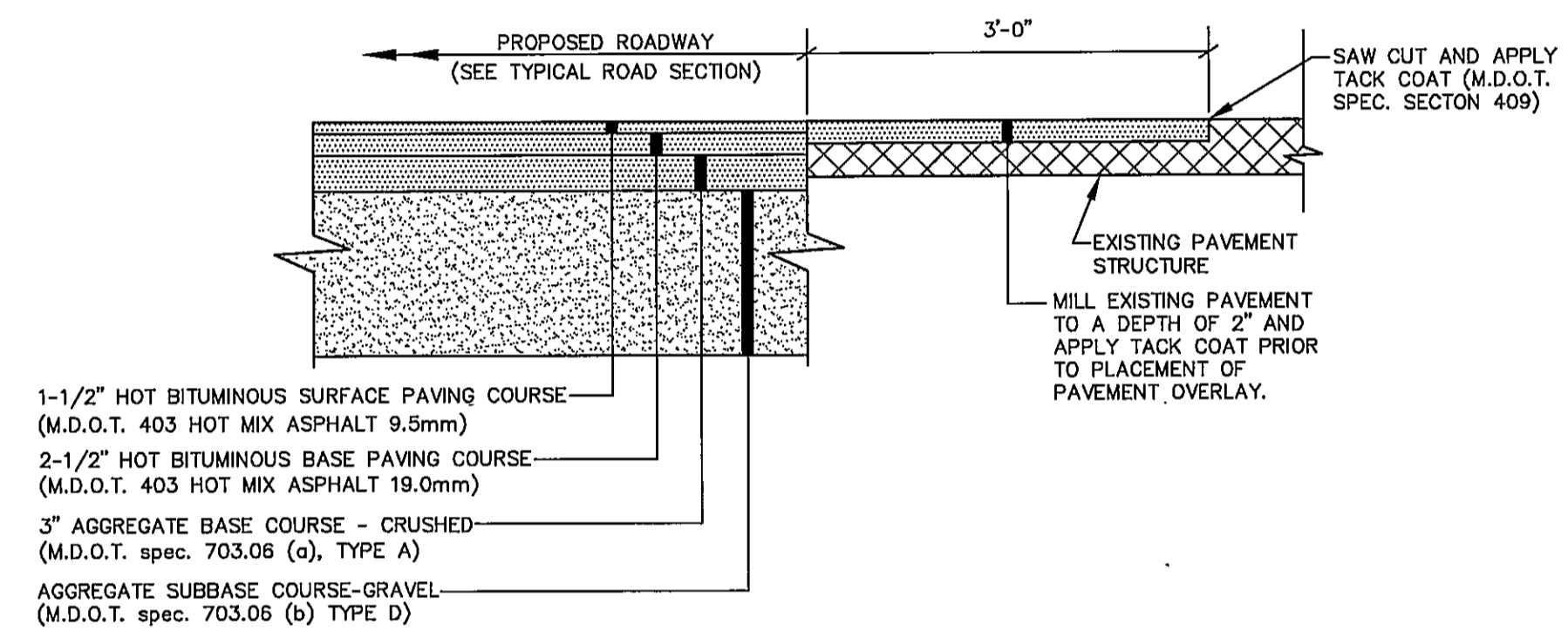
VERTICAL GRANITE CURB



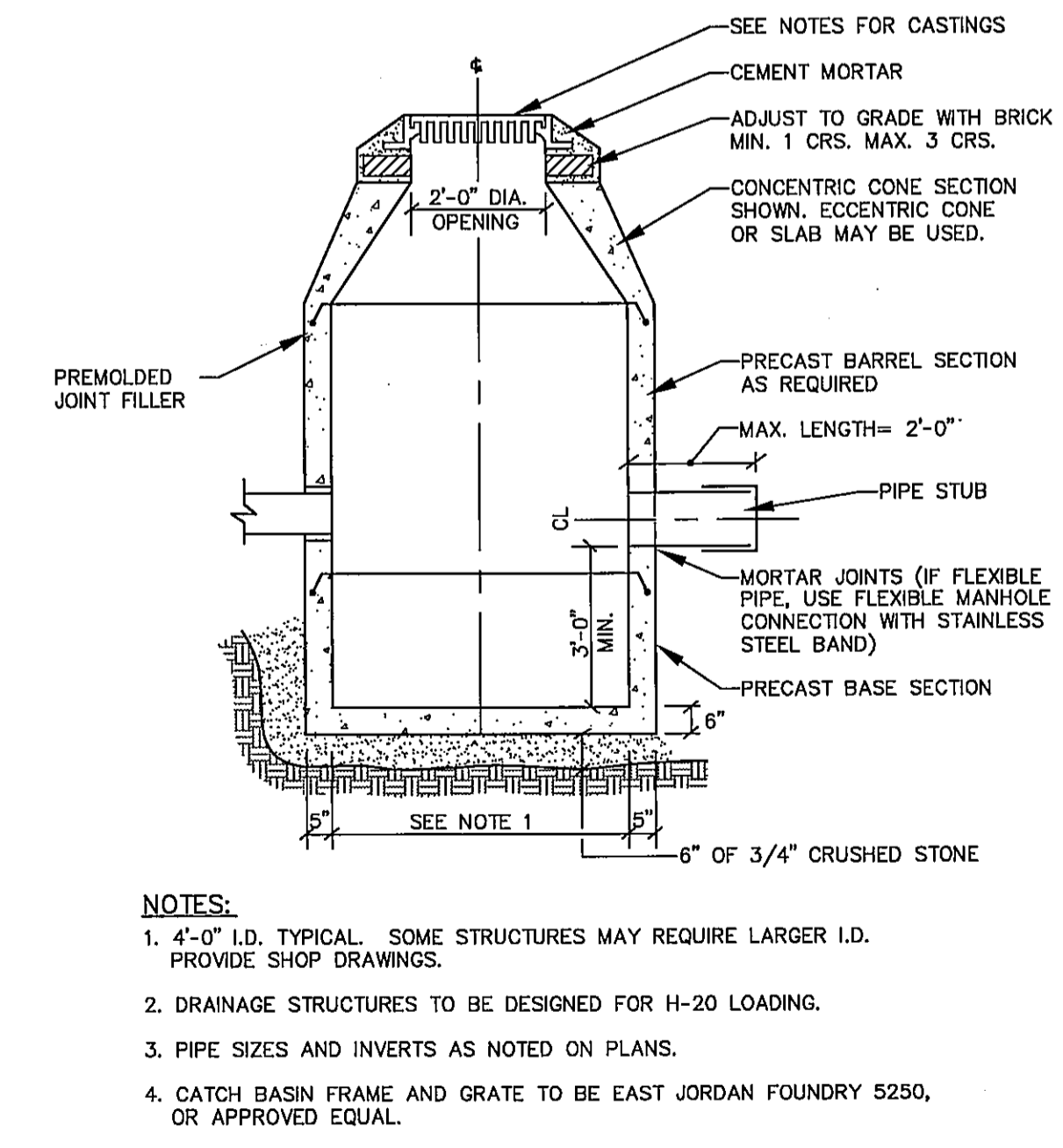
SLIPFORM CONCRETE CURB



TYP. PAVED PARKING LOT SECTION



TYPICAL PAVEMENT JOINT



TYPICAL CATCH BASIN

OWNER / DEVELOPER	UNITIL
PROJECT TITLE	NORTHERN UTILITIES, INC. PORTLAND DOC FIT-UP
	400 RIVERSIDE INDUSTRIAL PARKWAY PORTLAND, MAINE
	6 LIBERTY LANE WEST HAMPTON, NH 03842

DRAWING TITLE	DETAILS
CWS PROJ. NO.:	14029

REVISION DESCRIPTION	DATE

DRAWING NUMBER	C1.2
SCALE:	NTS
DATE:	03/04/15