

CWS ARCHITECTS  
ARCHITECTURE | INTERIOR DESIGN  
264 US ROUTE ONE  
BOX 6 SUITE 100-2A  
SCARBOROUGH, MAINE 04074  
T: 207.774.4441  
WWW.CWSARCH.COM

OWNER  
UNITIL  
6 LIBERTY LANE WEST  
HAMPTON, NEW HAMPSHIRE 03842

PROJECT  
UNITIL GAS  
OPERATIONS TRAINING  
AND TESTING ROOM  
376 RIVERSIDE INDUSTRIAL PARKWAY  
PORTLAND, MAINE 04101

DRAWING  
DOOR AND DOOR FRAME  
SCHEDULE, ELEVATIONS  
AND DETAILS  
CWS PROJECT NUMBER: 17027

REVISIONS

NO.	DATE	DESCRIPTION
09/14/17		
REVISED SCOPE OF WORK		

DRAWING NUMBER  
**A8.01**  
SCALE: AS NOTED  
DATE: 08/14/2017  
ISSUED FOR CONSTRUCTION

### DOOR & DOOR FRAME SCHEDULE

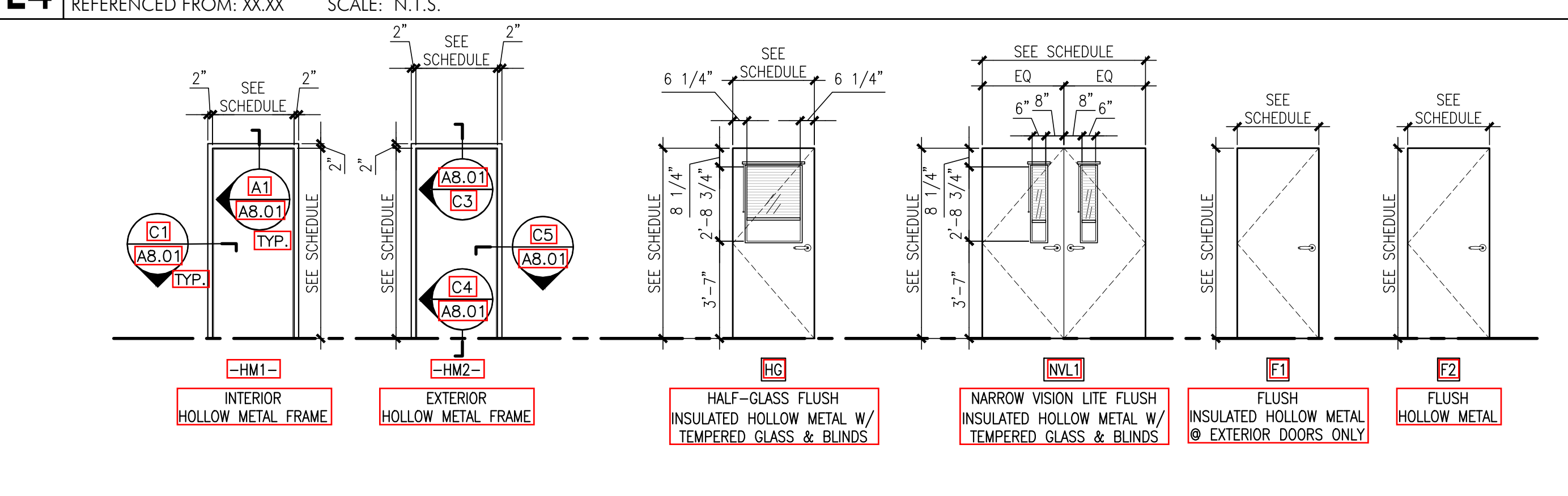
DOOR NO.	ROOM NO.	HWR SET NO.	DOOR			FRAME			FIRE RATING	REMARKS
			SIZE (W x H)	MAT	TYPE	HEAD	JAMB	SILL		
164	164	4	(2) 3'-0" x 7'-0"	HM	NVL1	HM	A1/A8.01	C1/A8.01		
165A	165	2	3'-0" x 7'-0"	HM	HG	HM	A1/A8.01	C1/A8.01		
165B	165	5	3'-0" x 7'-0"	HM	HG	HM	A1/A8.01	C1/A8.01		
166	166	5	3'-0" x 7'-0"	HM	F2	HM	A1/A8.01	C1/A8.01		
168	168	1	3'-6" x 7'-0"	HM	F2	HM	A1/A8.01	C1/A8.01		
145B	145	3	3'-0" x 7'-0"	HM	F1	HM	C3/A8.01	C5/A8.01	C4/A8.01	
145	164	ETR	ETR	ETR	ETR	ETR				DOOR & FRAME EXISTING TO REMAIN

### HARDWARE SCHEDULE

SET #	LEAF	QTY.	DESCRIPTION	MODEL #	COLOR	MANUFACTURER
HARDWARE SET #1	ACTIVE LEAF: RIGHT LEAF UPON EXISTING 164	1 EA.	STORAGE FUNCTION LOCKSET	10904	26D	SARGENT
		1 EA.	DOOR CLOSER	1431 SERIES W/ HOLD OPEN		SARGENT
		3 EA.	FULL MORTISE HINGE	T2714BB		McKINNEY
		1 SET	SILENCERS	SR64/SR65		IVES
		NOTES:	<ul style="list-style-type: none"> <li>PREP FOR ELECTRIC STRIKE BY SECURITY SYSTEM CONTRACTOR</li> <li>TIE TO CARD ACCESS SYSTEM BY SECURITY SYSTEM CONTRACTOR</li> </ul>			
HARDWARE SET #2	ACTIVE LEAF: LEFT LEAF UPON EXISTING 164	1 EA.	STORAGE FUNCTION LOCKSET	10904	26D	SARGENT
		1 EA.	DOOR CLOSER	1431 SERIES W/ HOLD OPEN		SARGENT
		3 EA.	FULL MORTISE HINGE	T2714BB		McKINNEY
		1 SET	SILENCERS	SR64/SR65		IVES
		NOTES:	<ul style="list-style-type: none"> <li>PREP FOR ELECTRIC STRIKE BY SECURITY SYSTEM CONTRACTOR</li> <li>TIE TO CARD ACCESS SYSTEM BY SECURITY SYSTEM CONTRACTOR</li> </ul>			
HARDWARE SET #3	ACTIVE LEAF: RIGHT LEAF UPON EXISTING 164	1 EA.	SERIES 30 RIM EXIT DEVICE FUNCTION 06	28-N-LL		SARGENT
		1 EA.	DOOR CLOSER	1431 SERIES W/ HOLD OPEN		SARGENT
		3 EA.	FULL MORTISE HINGE	T2714BB		McKINNEY
		1 SET	SILENCERS	SR64/SR65		IVES
		NOTES:	<ul style="list-style-type: none"> <li>PREP FOR ELECTRIC STRIKE BY SECURITY SYSTEM CONTRACTOR</li> <li>TIE TO CARD ACCESS SYSTEM BY SECURITY SYSTEM CONTRACTOR</li> </ul>			
HARDWARE SET #4	ACTIVE LEAF: LEFT LEAF UPON EXISTING 164	3 EA.	FULL MORTISE HINGE	T2714BB		McKINNEY
		1 SET	SMOKE AND FIRE GASKETING	S88D		PEMKO
		1 EA.	DOOR BOTTOM SWEEP	368CN		PEMKO
		1 EA.	CENTRAL OVERLAPPING ASTRAGAL PLATE	357SP		PEMKO
		NOTES:	<ul style="list-style-type: none"> <li>PREP FOR ELECTRIC STRIKE BY SECURITY SYSTEM CONTRACTOR</li> <li>TIE TO CARD ACCESS SYSTEM BY SECURITY SYSTEM CONTRACTOR</li> </ul>			
HARDWARE SET #5	ACTIVE LEAF: LEFT LEAF UPON EXISTING 164	1 EA.	KEYPAD LOCKSET	B-PB E4761LN	26D	YALE
		1 EA.	DOOR CLOSER	1431 SERIES W/ HOLD OPEN		SARGENT
		3 EA.	FULL MORTISE HINGE	T2714BB		McKINNEY
		1 SET	SILENCERS	SR64/SR65		IVES
		NOTES:	<ul style="list-style-type: none"> <li>PREP FOR ELECTRIC STRIKE BY SECURITY SYSTEM CONTRACTOR</li> <li>TIE TO CARD ACCESS SYSTEM BY SECURITY SYSTEM CONTRACTOR</li> </ul>			

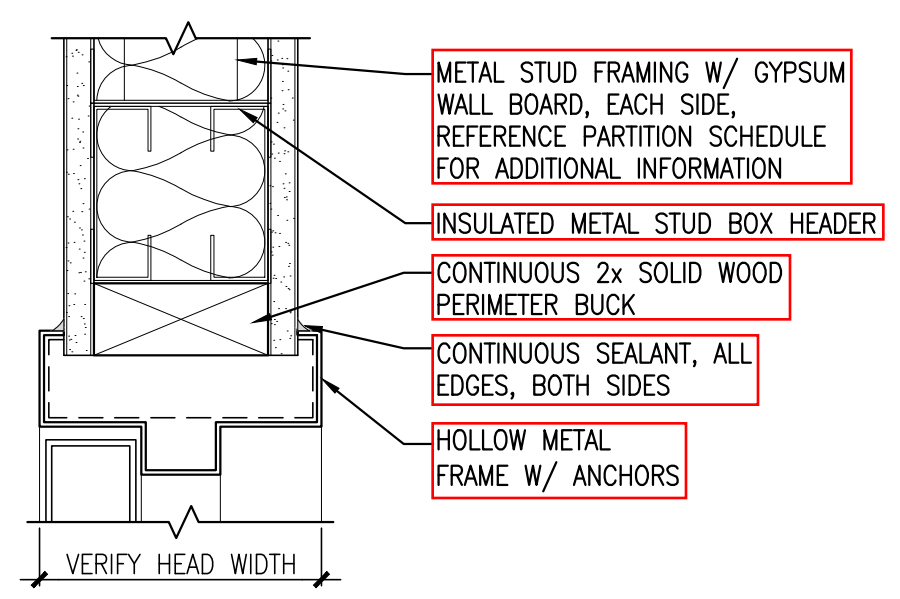
- GENERAL NOTES:**
- ALL GLAZING SHALL BE TEMPERED GLASS.
  - INSTALLATION TO BE COMPLETED IN ACCORDANCE WITH MANUFACTURER'S SPECIFICATIONS.
- GENERAL HARDWARE NOTES:**
- IT IS THE INTENT TO MATCH ALL EXISTING HARDWARE TYPES AND FINISHES.
  - ALL NEW LOCKING LOCKSETS TO RECEIVE A CYLINDER MATCHING EXISTING. COORDINATE KEYING WITH EXISTING MASTER KEY SYSTEM.
- ABBREVIATIONS:**
- ALUM = ALUMINUM
  - HM = HOLLOW METAL
  - SCW = SOLID CORE WOOD
  - ETR = EXISTING TO REMAIN

### E4 DOOR AND HARDWARE SCHEDULE

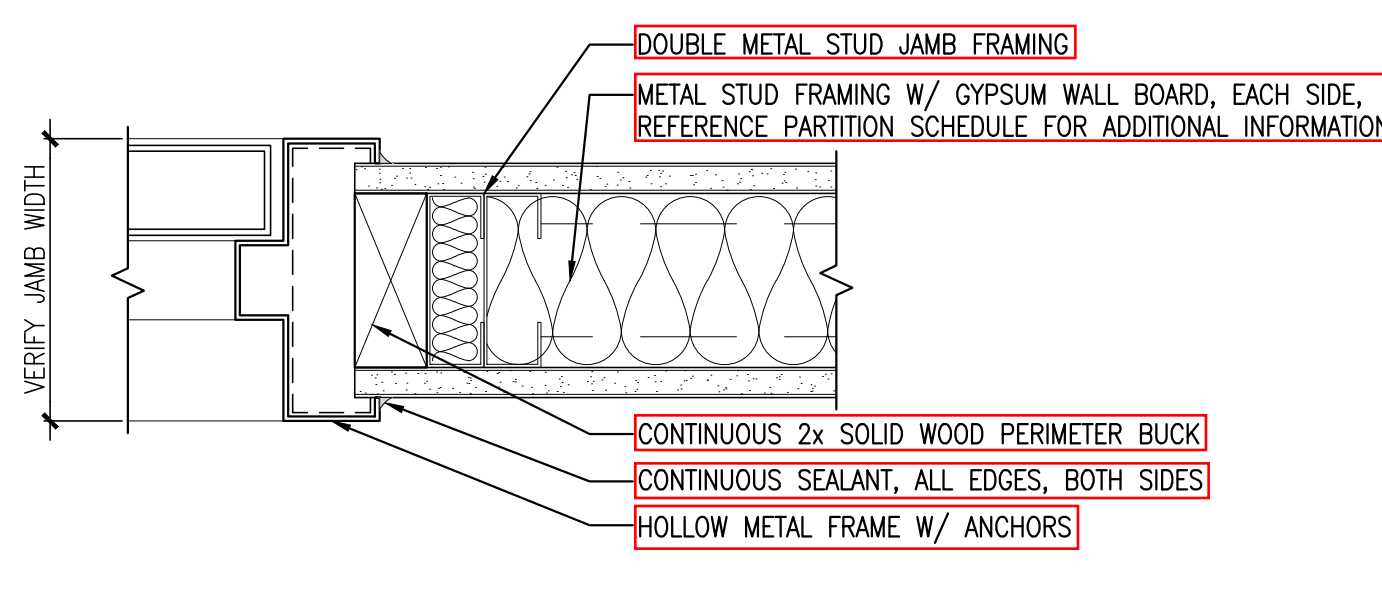


### E5 DOOR AND DOOR FRAME ELEVATIONS

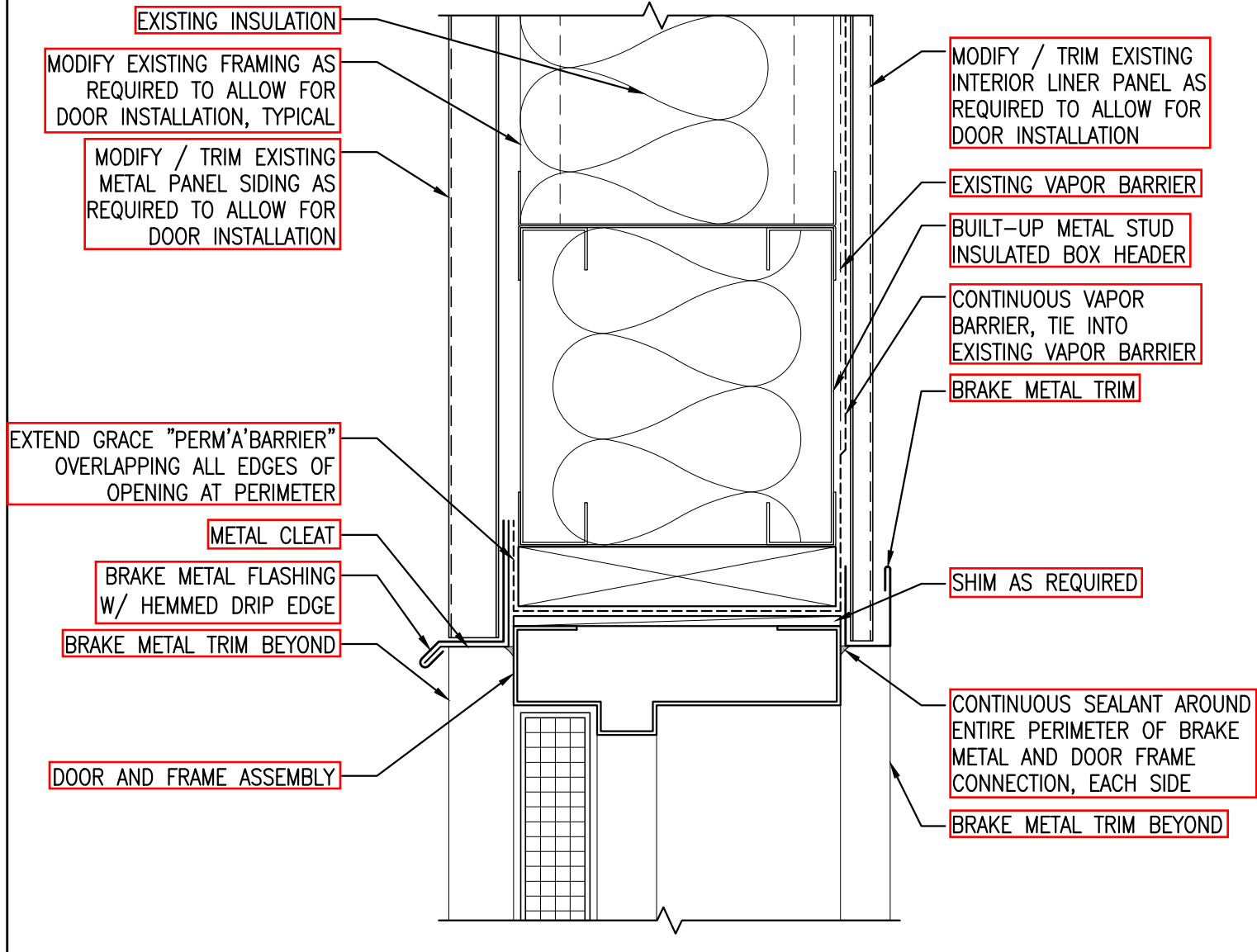
REFERENCED FROM: XX.XX SCALE: 1/4" = 1'-0"



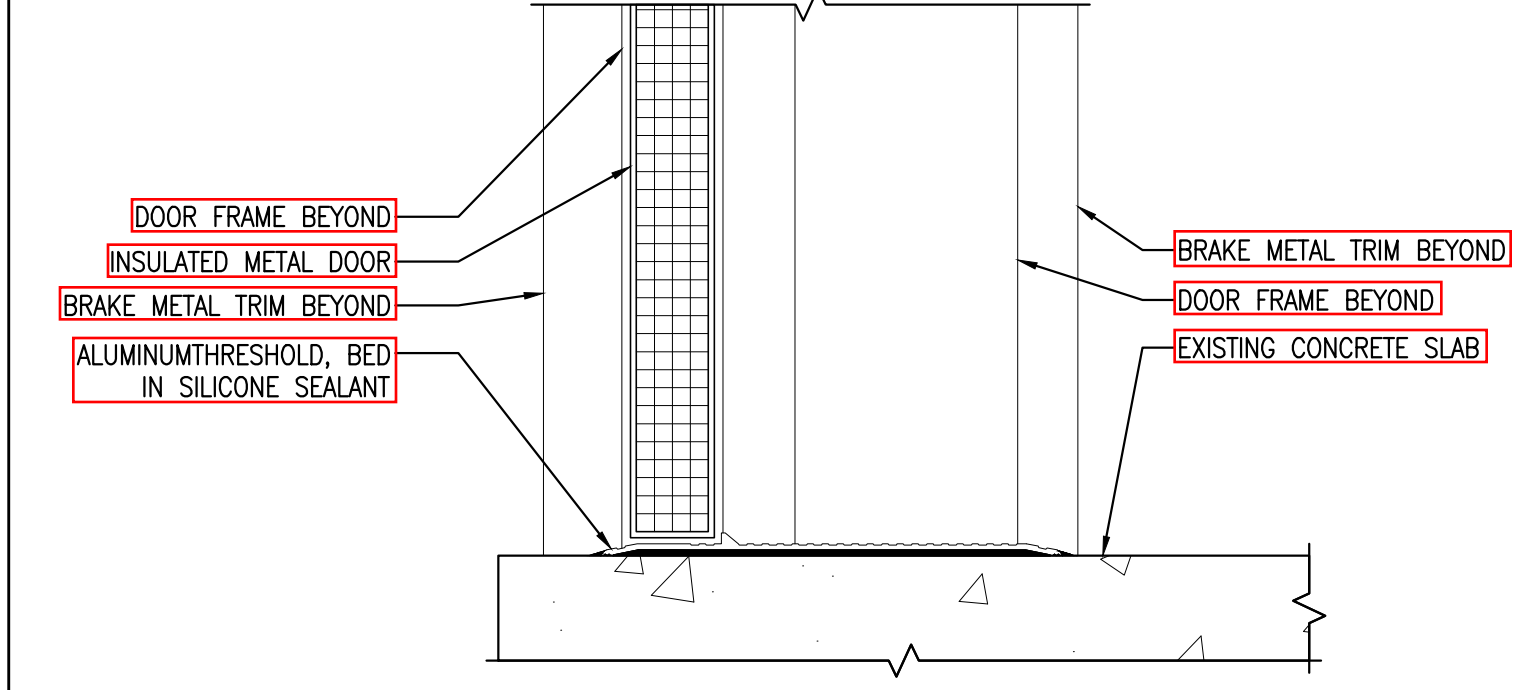
**A1 INTERIOR DOOR - HEAD DETAIL**  
REFERENCED FROM: XX.XX SCALE: 3" = 1'-0"



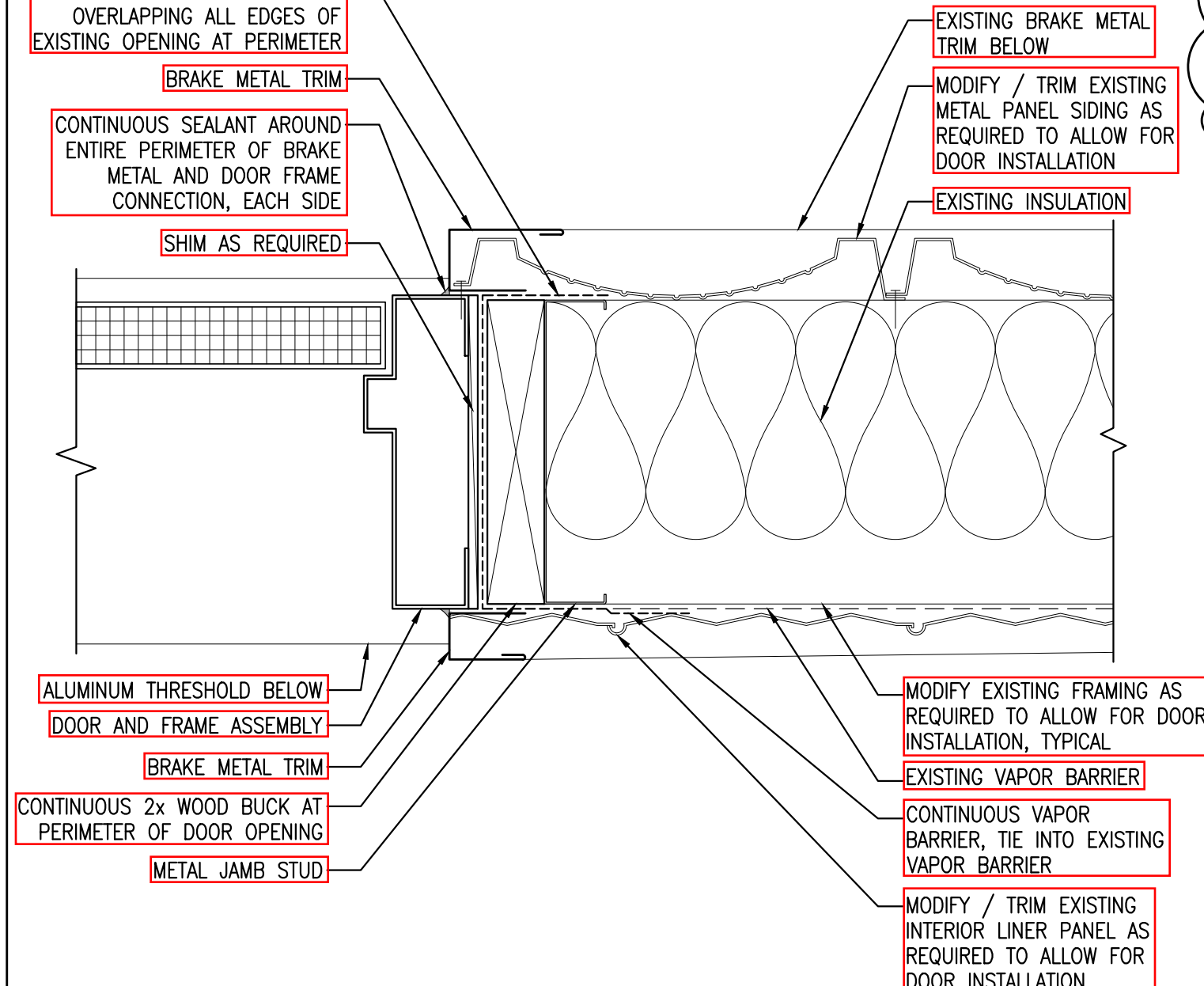
**C1 INTERIOR DOOR - JAMB DETAIL**  
REFERENCED FROM: XX.XX SCALE: 3" = 1'-0"



**C3 EXTERIOR DOOR 145B - HEAD DETAIL**  
REFERENCED FROM: XX.XX SCALE: 3" = 1'-0"



**C4 EXTERIOR DOOR 145B - SILL DETAIL**  
REFERENCED FROM: XX.XX SCALE: 3" = 1'-0"



**C5 EXTERIOR DOOR 145B - JAMB DETAIL**  
REFERENCED FROM: XX.XX SCALE: 3" = 1'-0"

**A3 NOT USED**  
REFERENCED FROM: XX.XX SCALE: N/A

**A4 NOT USED**  
REFERENCED FROM: XX.XX SCALE: N/A

**A5 NOT USED**  
REFERENCED FROM: XX.XX SCALE: N/A