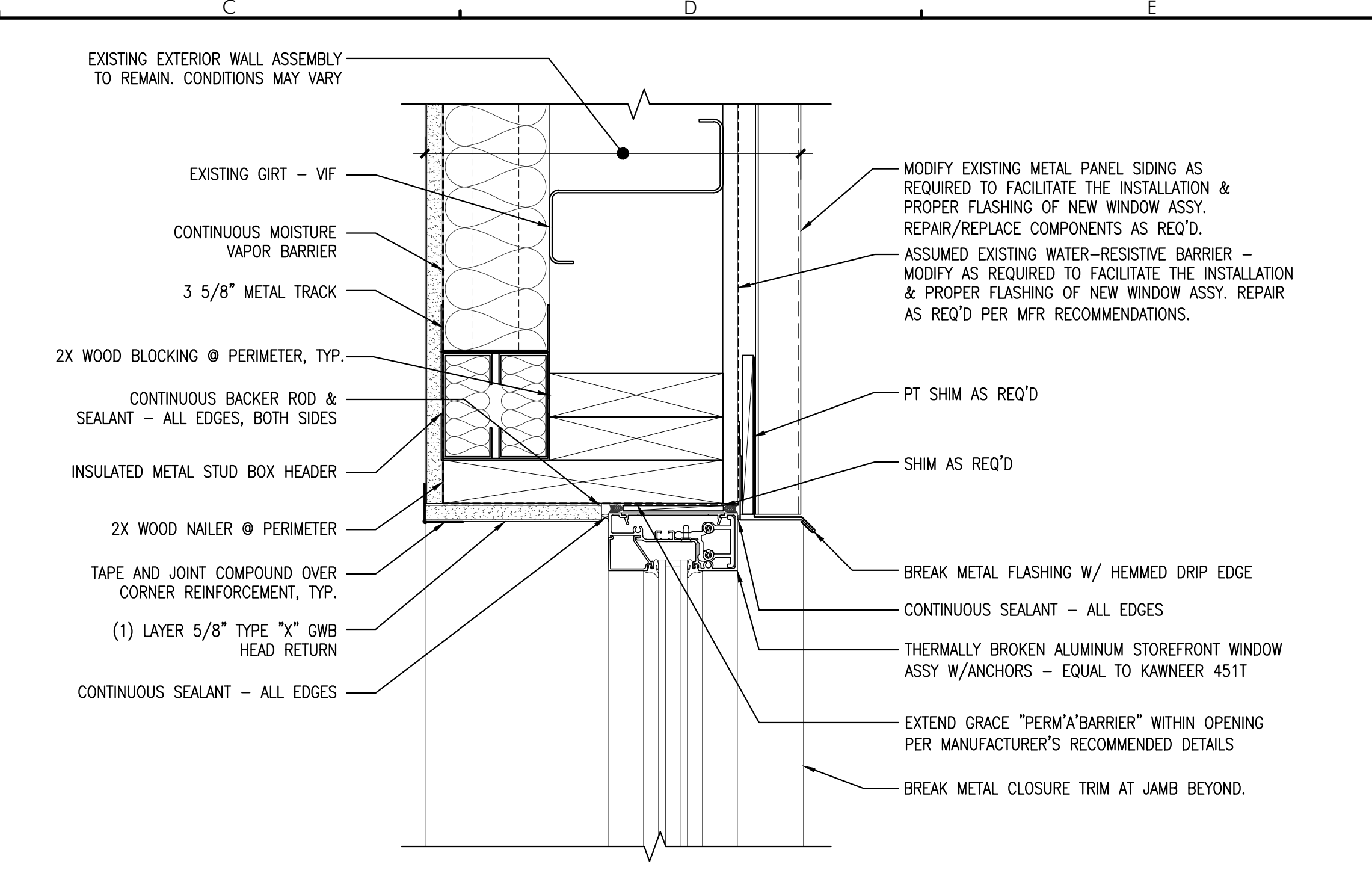
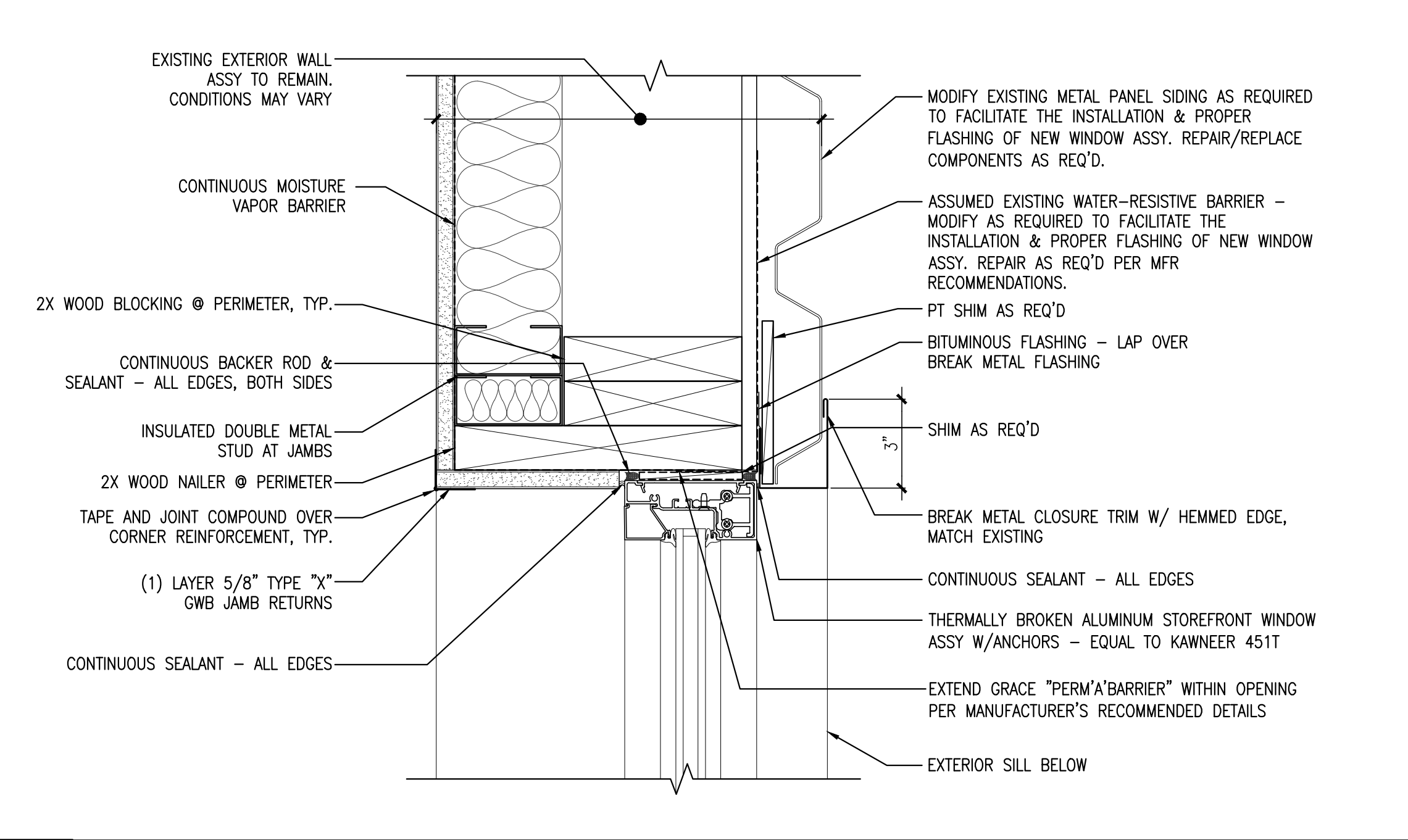


A2 NOT USED
 REFERENCED FROM: SCALE:



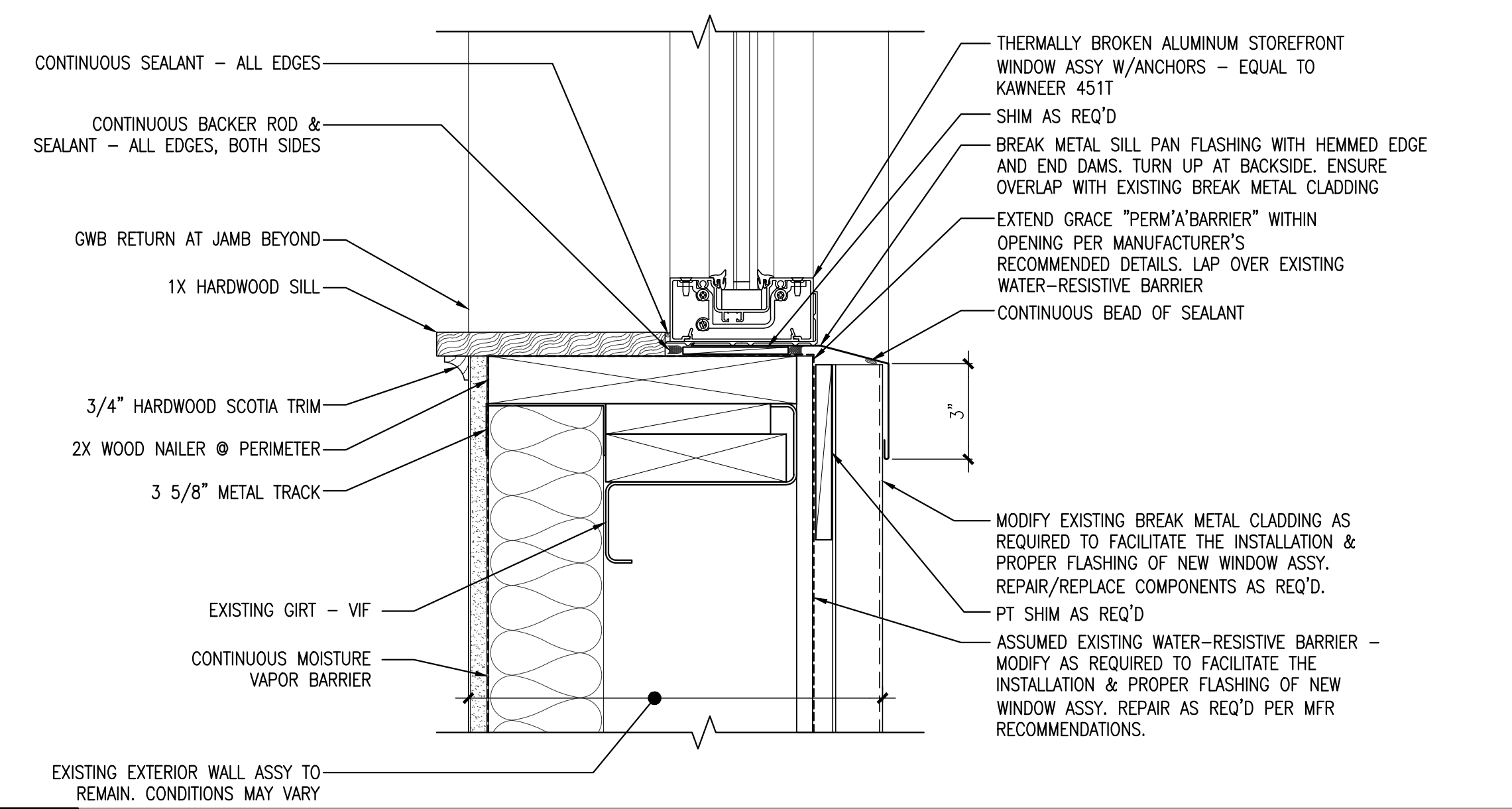
C2 WINDOW HEAD DETAIL
 REFERENCED FROM: A8.10 SCALE: 3" = 1'-0"

A4



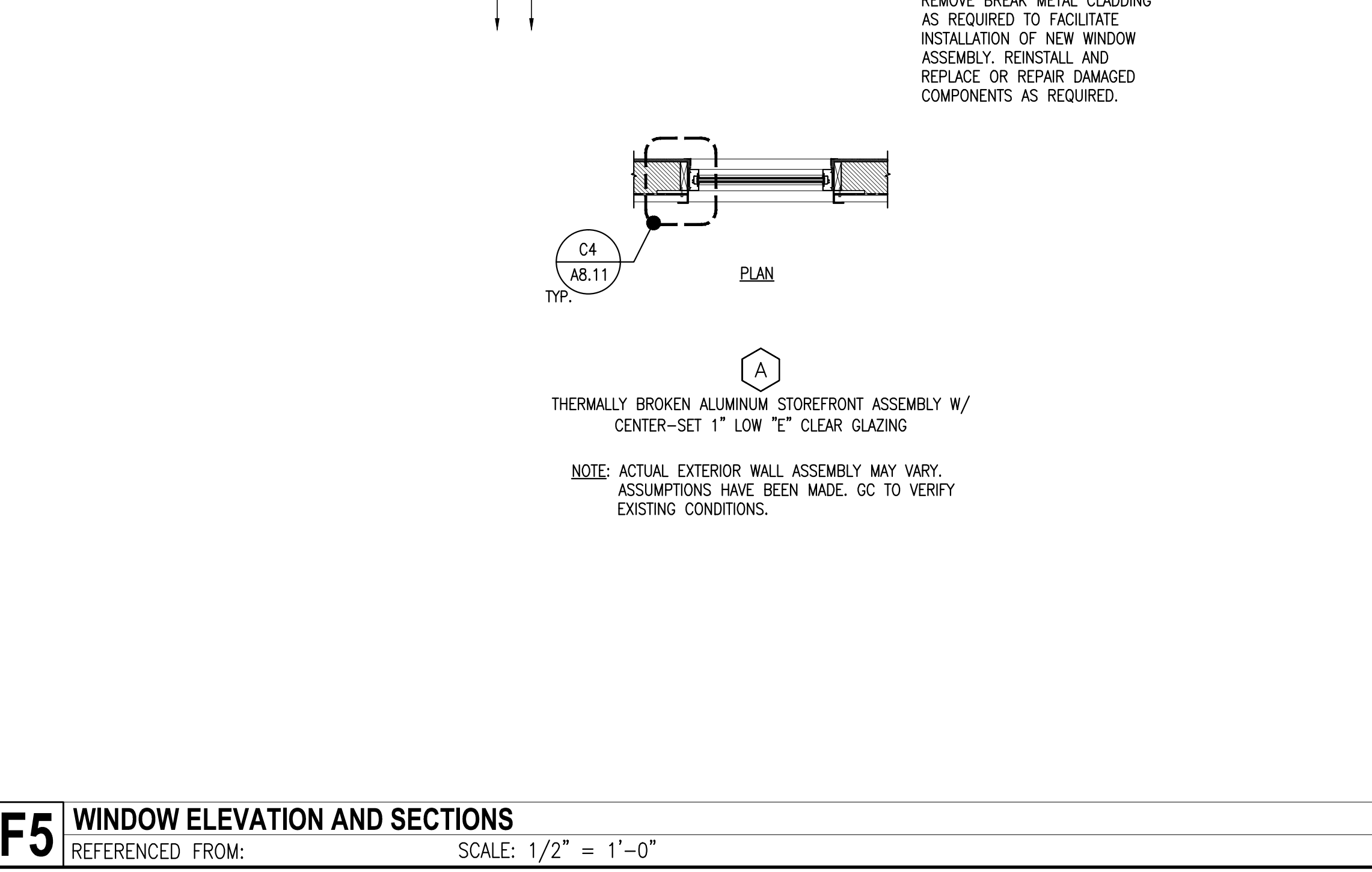
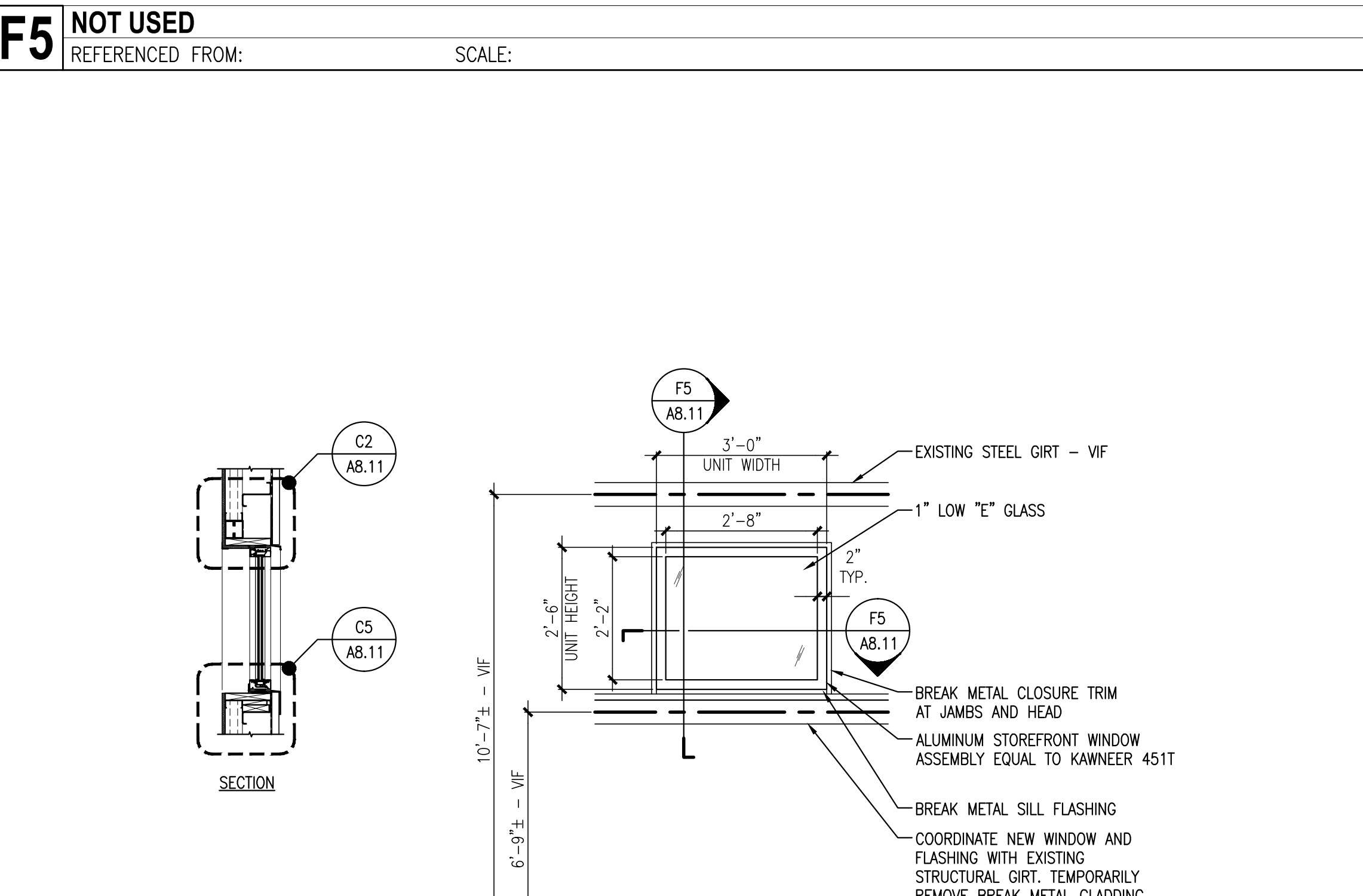
C4 WINDOW JAMB DETAIL
 REFERENCED FROM: A8.10 SCALE: 3" = 1'-0"

A5 NOT USED
 REFERENCED FROM: SCALE:



C5 WINDOW SILL DETAIL
 REFERENCED FROM: A8.10 SCALE: 3" = 1'-0"

F5 NOT USED
 REFERENCED FROM: SCALE:



F5 WINDOW ELEVATION AND SECTIONS
 REFERENCED FROM: SCALE: 1/2" = 1'-0"

CWS ARCHITECTS

DESIGNER

OWNER

PROJECT

DRAWING

REVISIONS

DRAWING NUMBER

A8.11

SCALE: AS NOTED
 DATE: 04/17/15

ISSUED FOR CITY OF PORTLAND PERMITTING

UNITLE

NORTHERN UTILITIES, INC. FIT-UP

400 RIVERSIDE INDUSTRIAL PARKWAY
 PORTLAND, MAINE 04101

6 LIBERTY LANE WEST
 HAMPTON, NEW HAMPSHIRE 03842

WWW.CWSARCH.COM

STATE OF MAINE

GUY T. LABRECQUE, JR. ARCHITECT

434 CUMBERLAND AVENUE
 PORTLAND, MAINE 04101
 P: 207.774.4010
 F: 207.774.4011