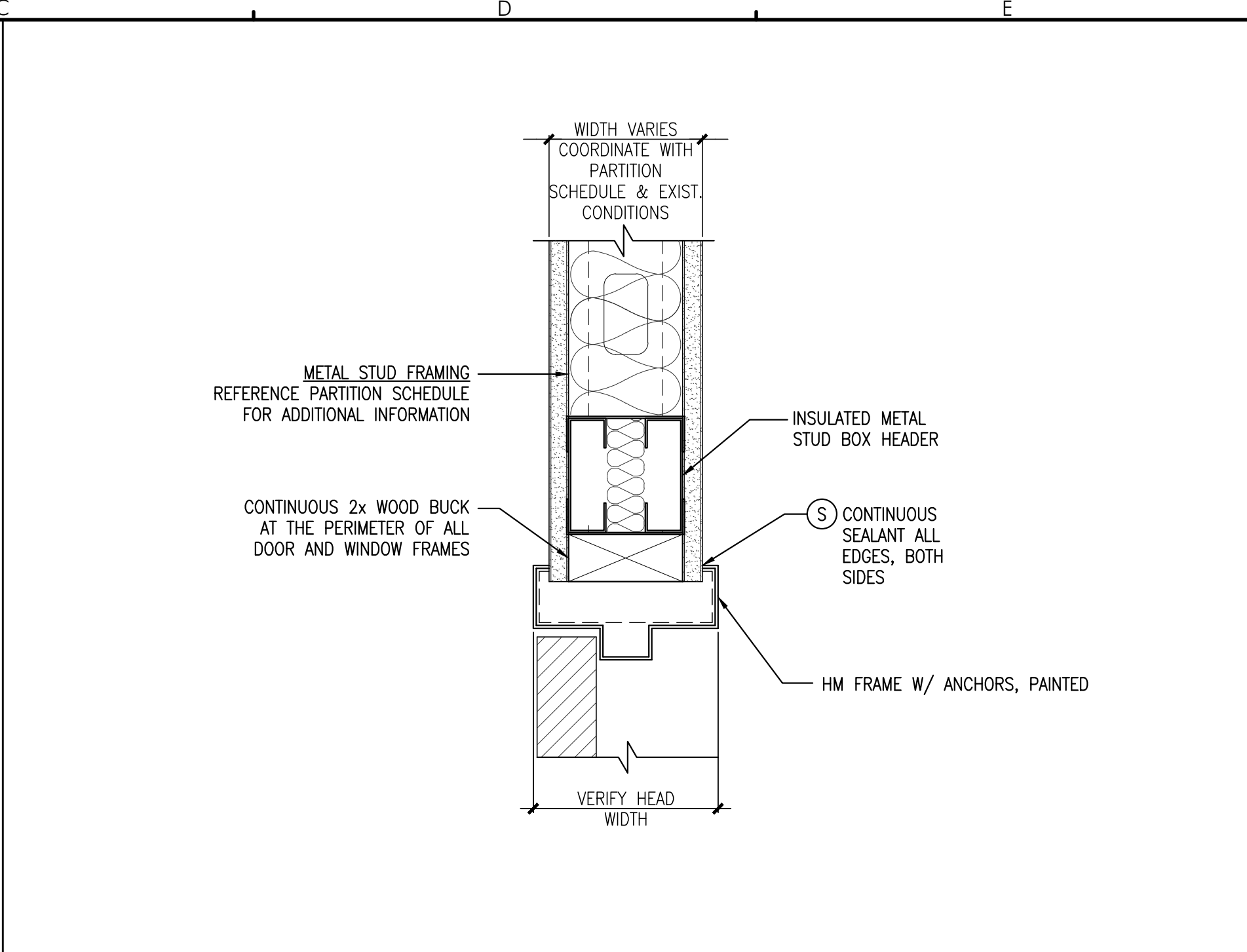
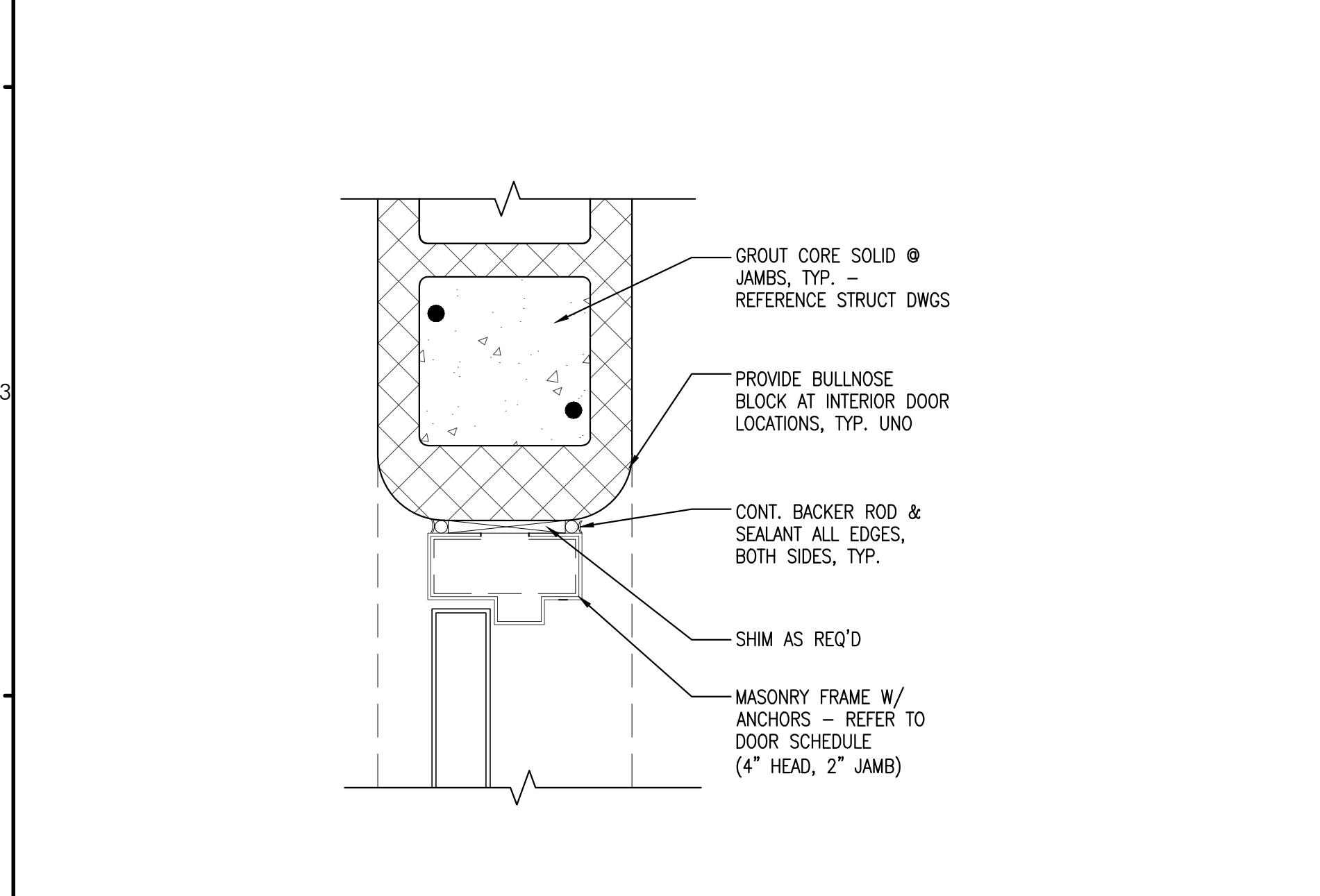


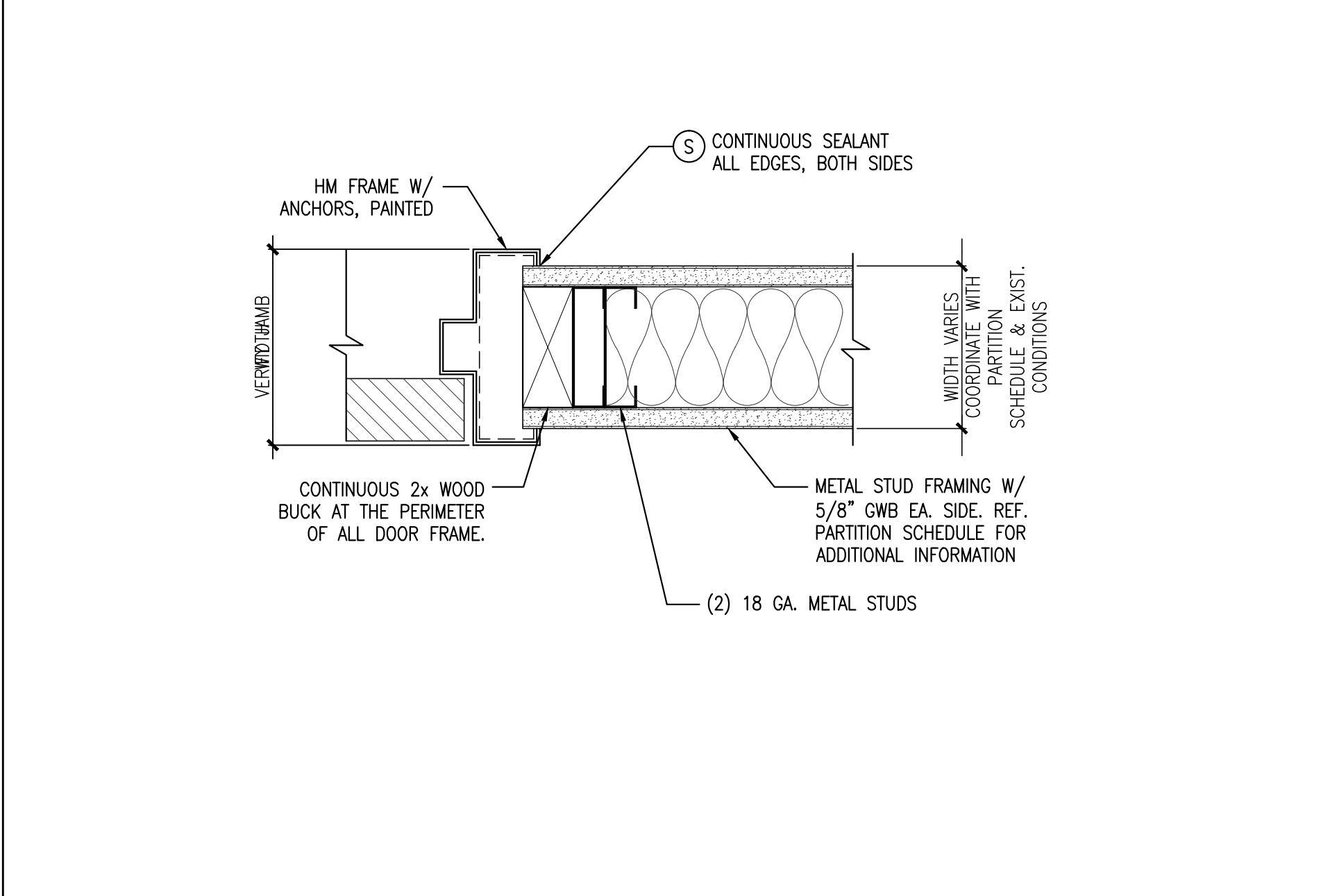
A2 TYPICAL INTERIOR HOLLOW METAL DOOR FRAME HEAD DETAIL @ CMU WALL
REFERENCED FROM: A8.10 SCALE: 3" = 1'-0"



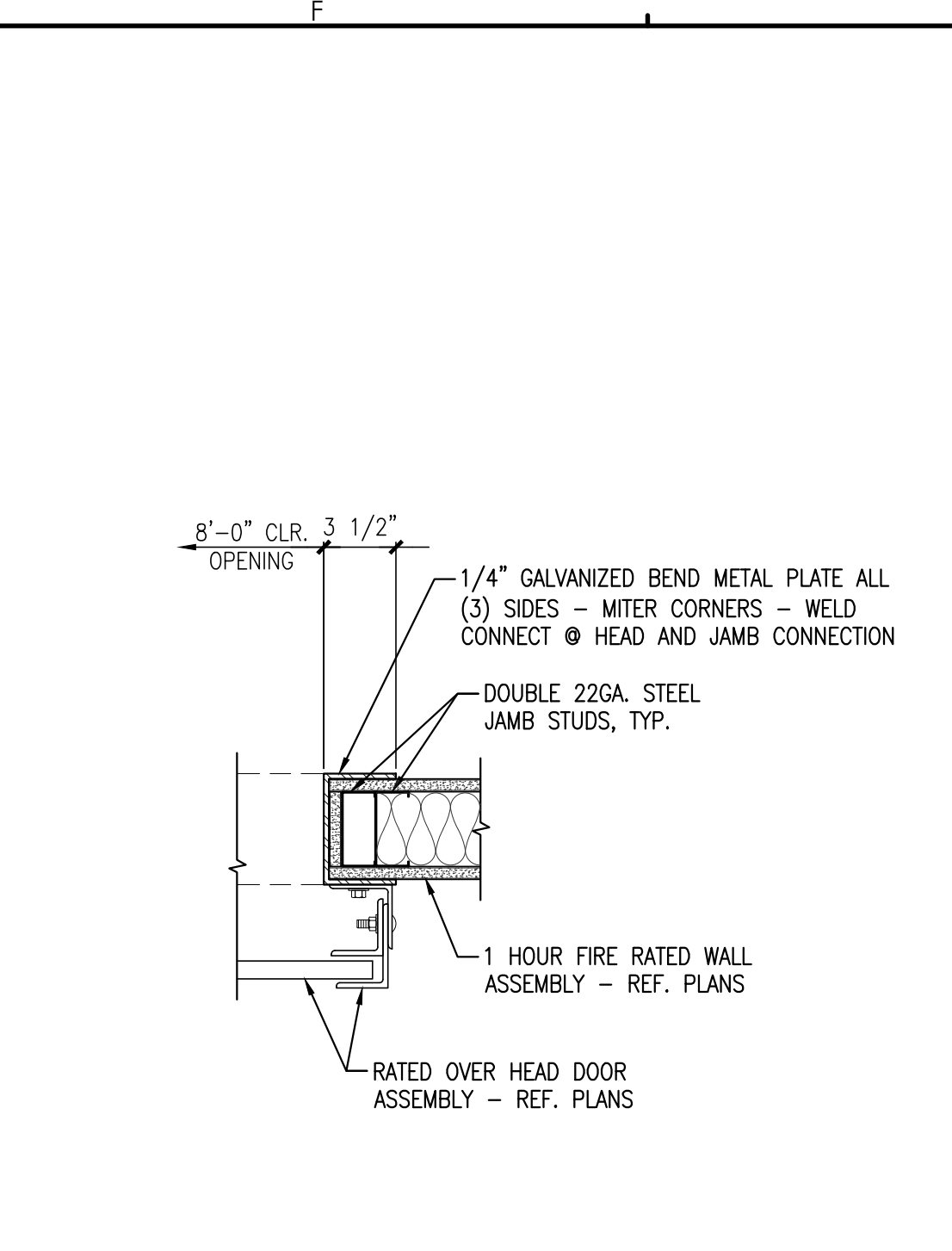
C2 TYPICAL INTERIOR HOLLOW METAL DOOR FRAME HEAD DETAIL
REFERENCED FROM: A8.10 SCALE: 3" = 1'-0"



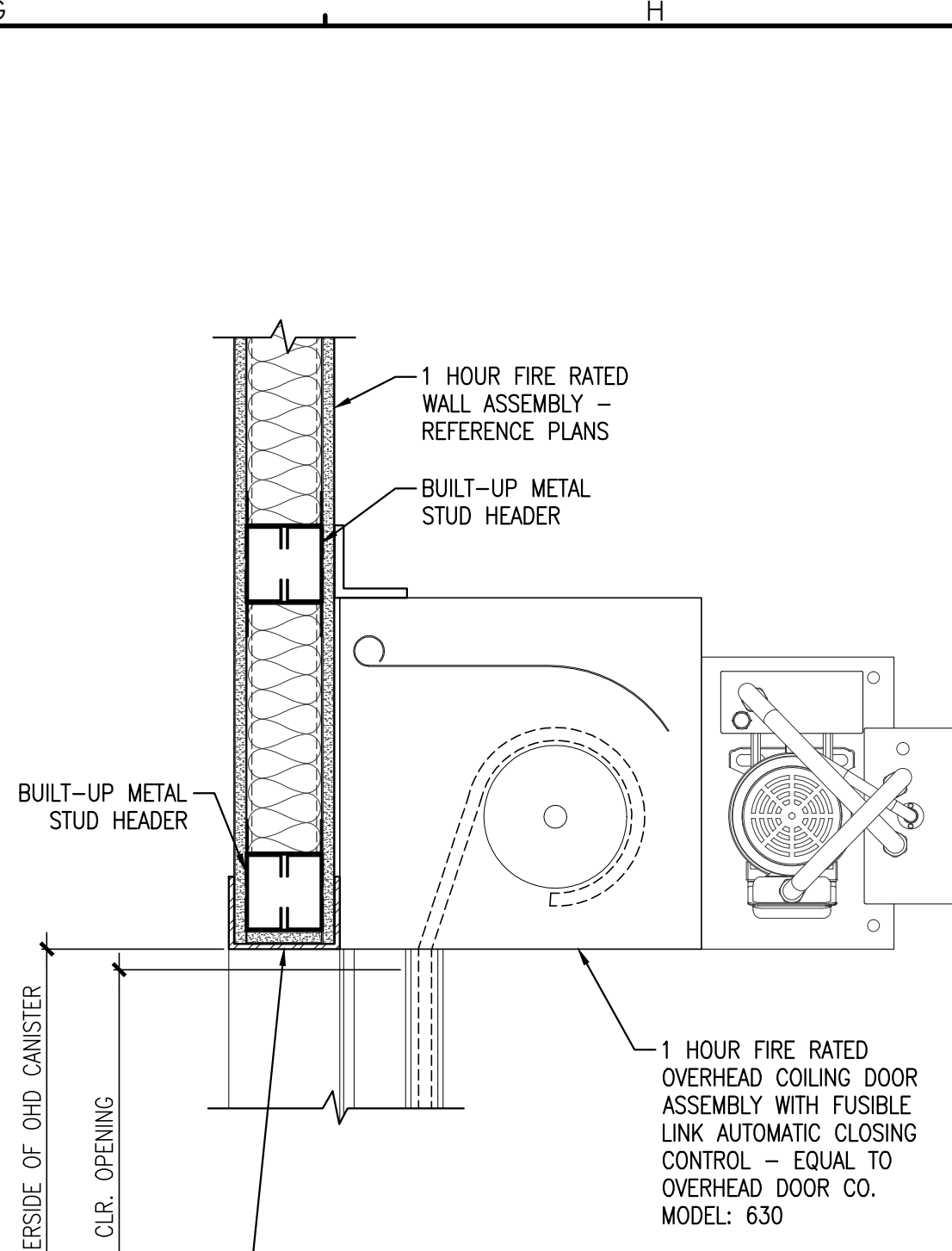
A4 TYPICAL INTERIOR HOLLOW METAL DOOR FRAME JAMB DETAIL @ CMU WALL
REFERENCED FROM: A8.10 SCALE: 3" = 1'-0"



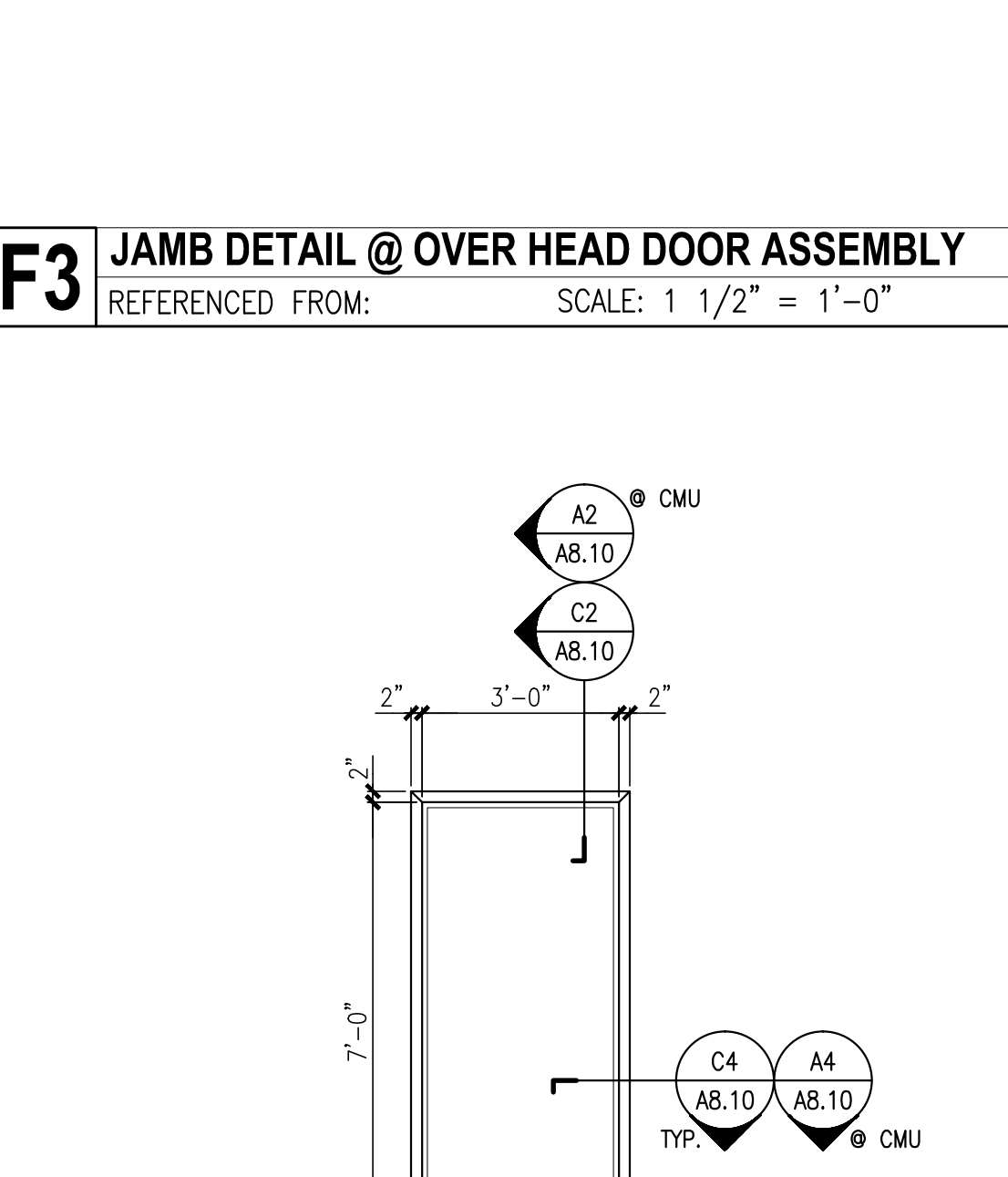
C4 TYPICAL INTERIOR HOLLOW METAL DOOR FRAME JAMB DETAIL
REFERENCED FROM: A8.10 SCALE: 3" = 1'-0"



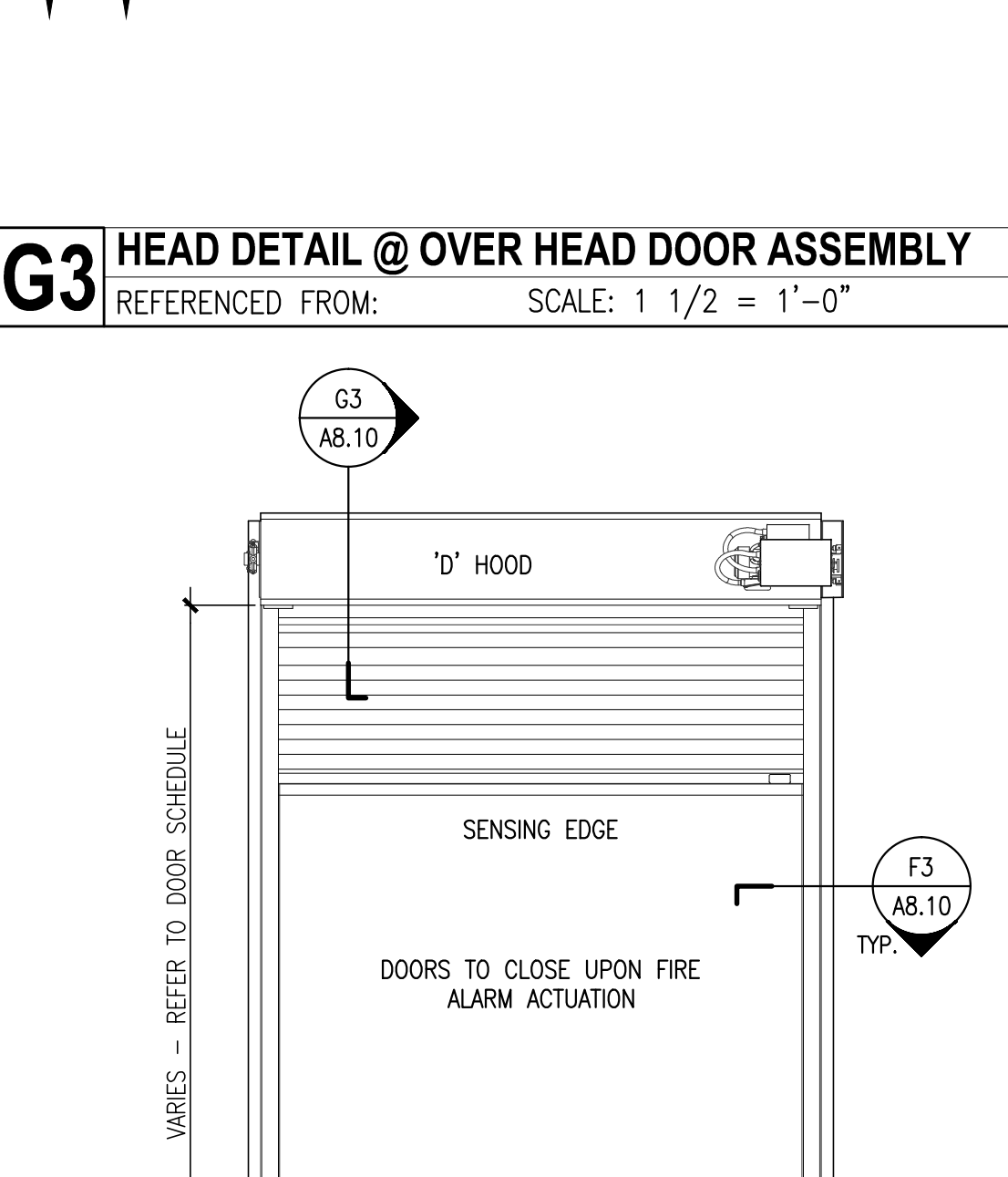
F3 JAMB DETAIL @ OVER HEAD DOOR ASSEMBLY
REFERENCED FROM: SCALE: 1 1/2" = 1'-0"



G3 HEAD DETAIL @ OVER HEAD DOOR ASSEMBLY
REFERENCED FROM: SCALE: 1 1/2" = 1'-0"



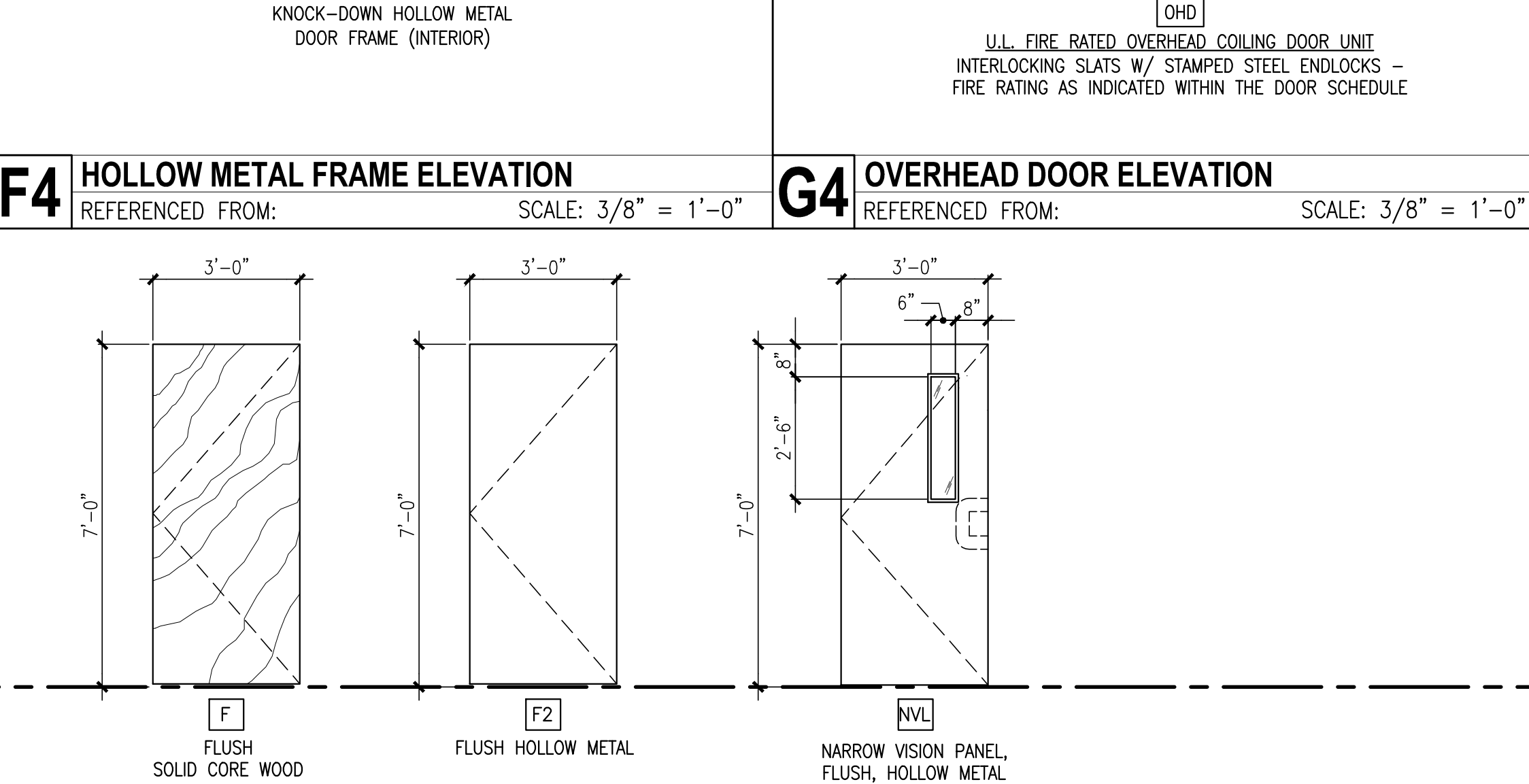
F4 HOLLOW METAL FRAME ELEVATION
REFERENCED FROM: SCALE: 3/8" = 1'-0"



G4 OVERHEAD DOOR ELEVATION
REFERENCED FROM: SCALE: 3/8" = 1'-0"



A5 NOT USED
REFERENCED FROM: SCALE:



F5 DOOR TYPE ELEVATIONS
REFERENCED FROM: SCALE: 3/8" = 1'-0"