

Gawron Turgeon ARCHITECTS
 29 Black Point Road
 Scarborough, Maine 04074
 www.gawronturgeon.com
 207-883-6307 tel 207-883-0361 fax

CAPRICORN OFFICE RENOVATION
 12 RICE STREET PORTLAND, MAINE

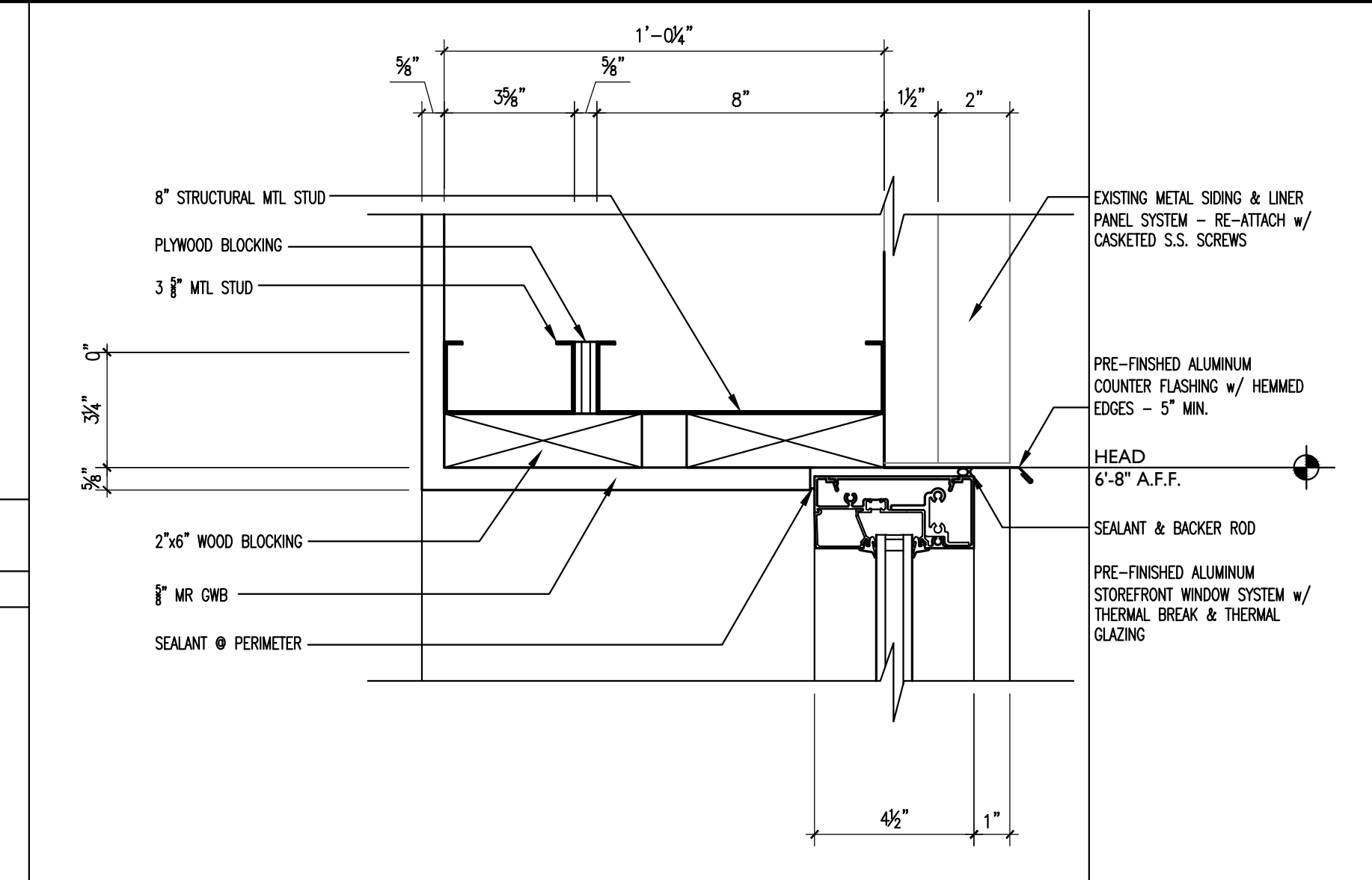
REVISIONS		
#	DATE	DESCRIPTION
1	11.15.13	ISSUED FOR PRICING
2	11.22.13	ISSUED FOR PRICING
3	12.05.13	ISSUED FOR PRICING

DATE:	12.05.13
PROJECT #:	100213
DRAWN BY:	DMR
CHECKED BY:	MT
DRAWING SCALE:	AS NOTED

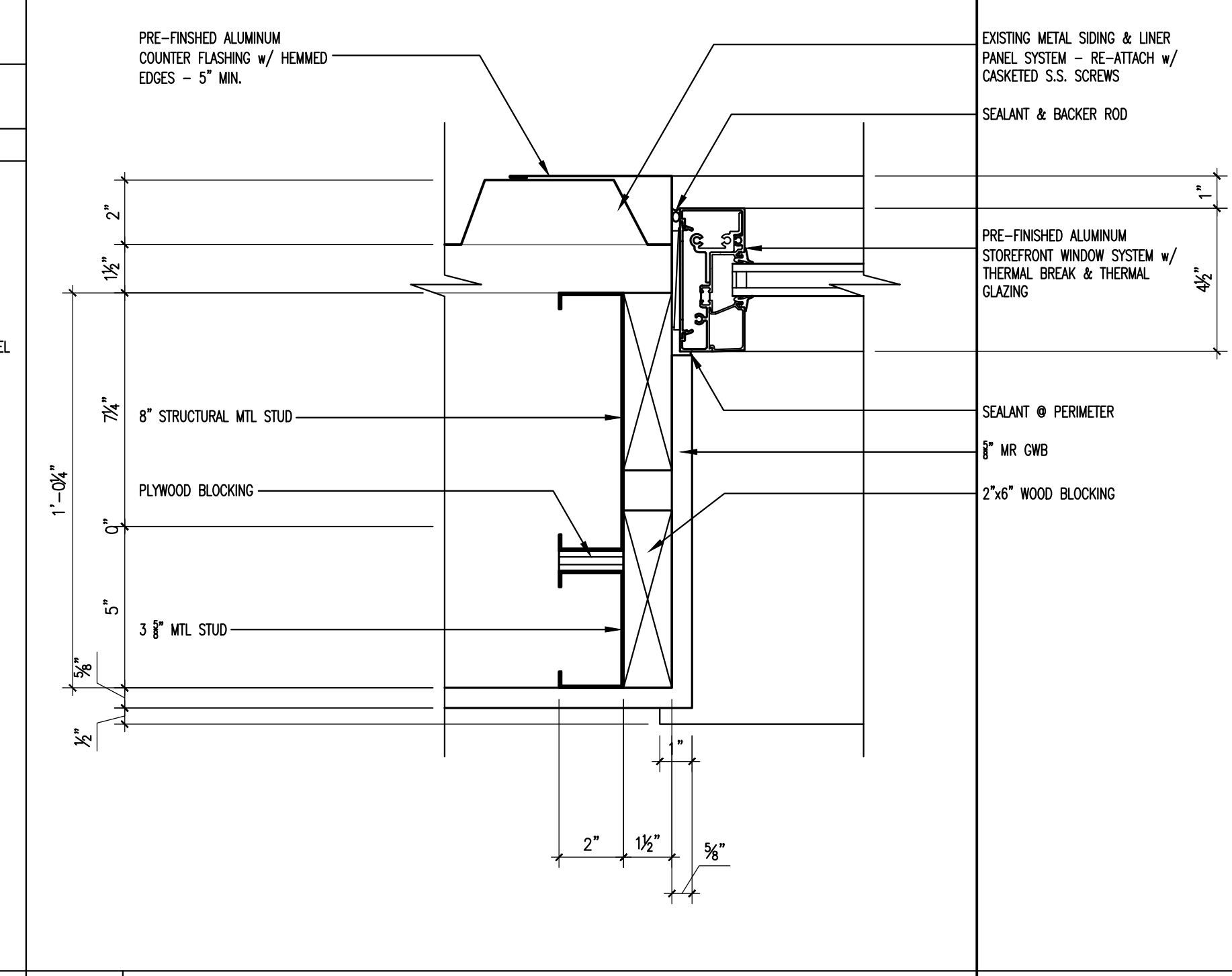
SHEET TITLE
 DOOR SCHEDULE - DOOR & WINDOW TYPES & DETAILS

A800

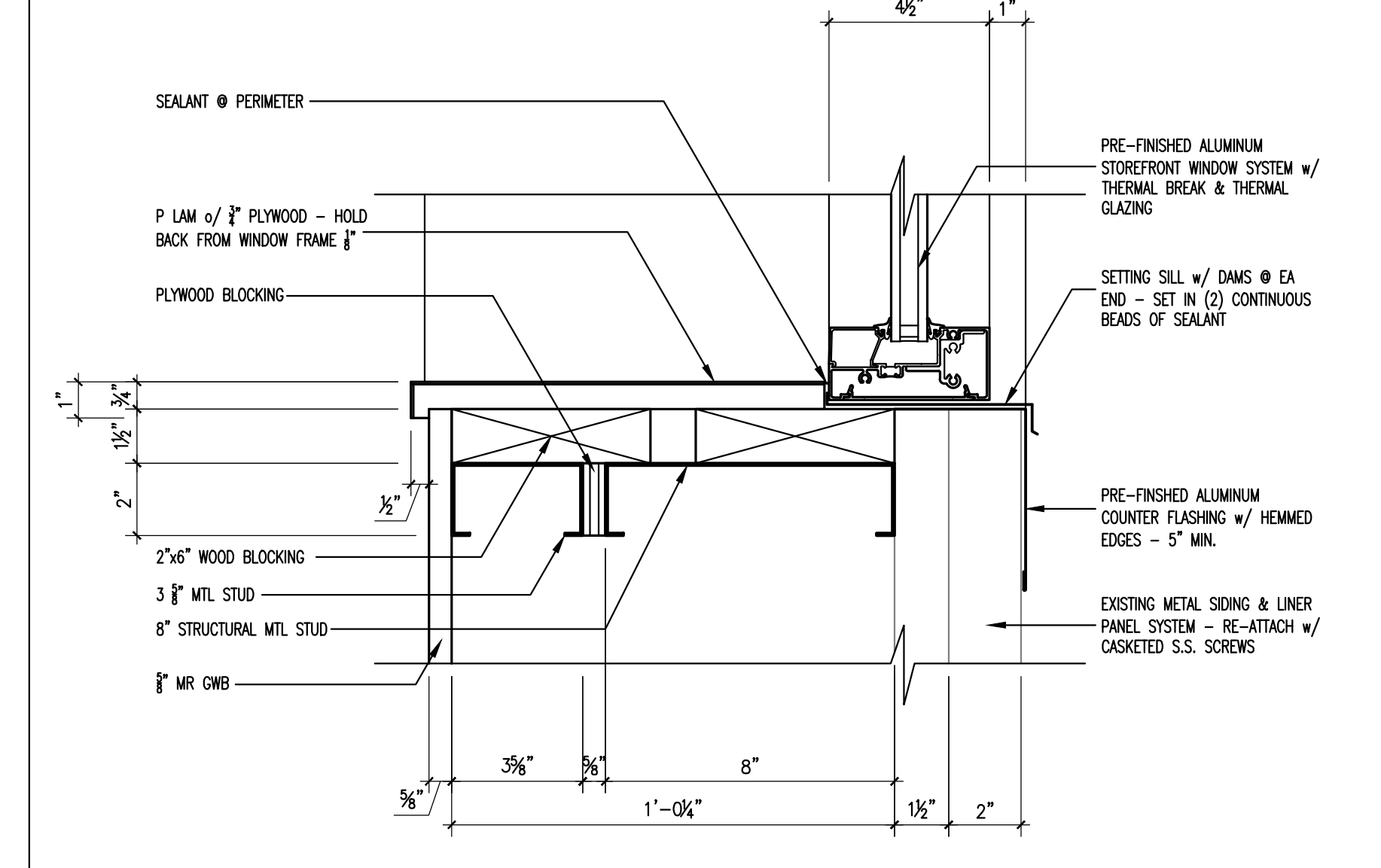
© COPYRIGHT 1985-2013
 REPRODUCTION OR RESALE OF THIS DOCUMENT WITHOUT WRITTEN PERMISSION OF GAWRON TURGEON ARCHITECTS IS PROHIBITED



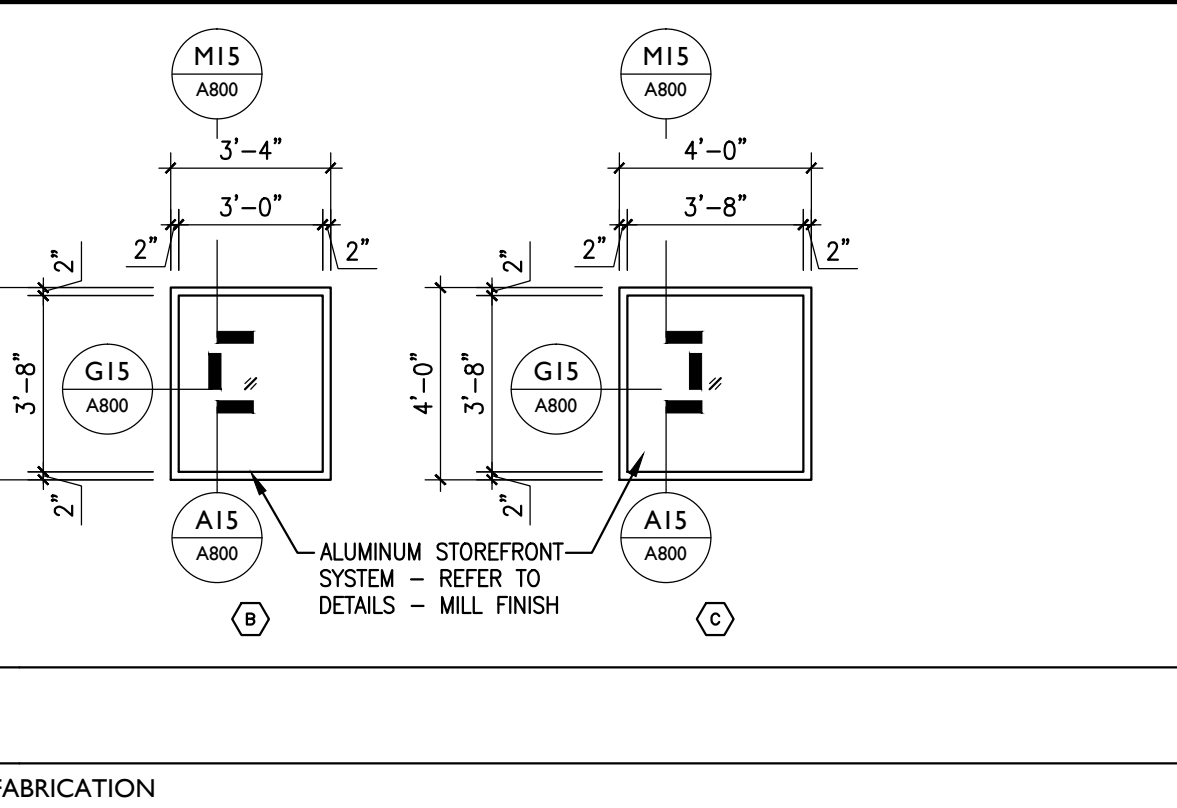
M15 SECTION DETAIL
 3"=1'-0" WINDOW HEAD



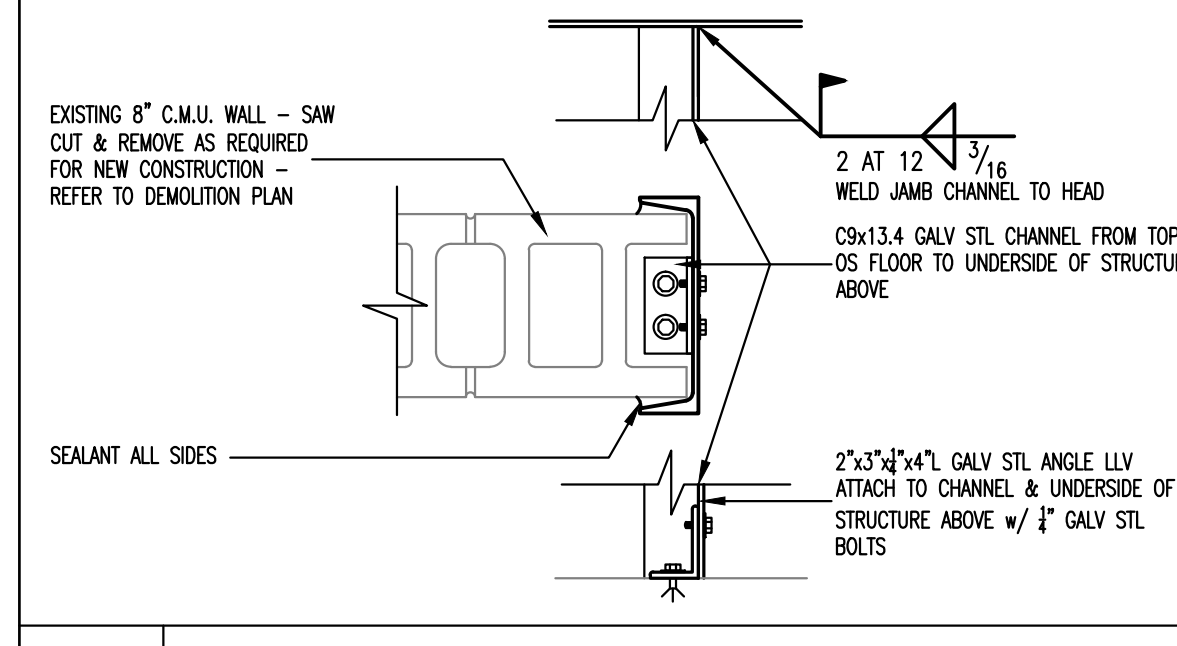
M15 SECTION DETAIL
 3"=1'-0" WINDOW JAMB



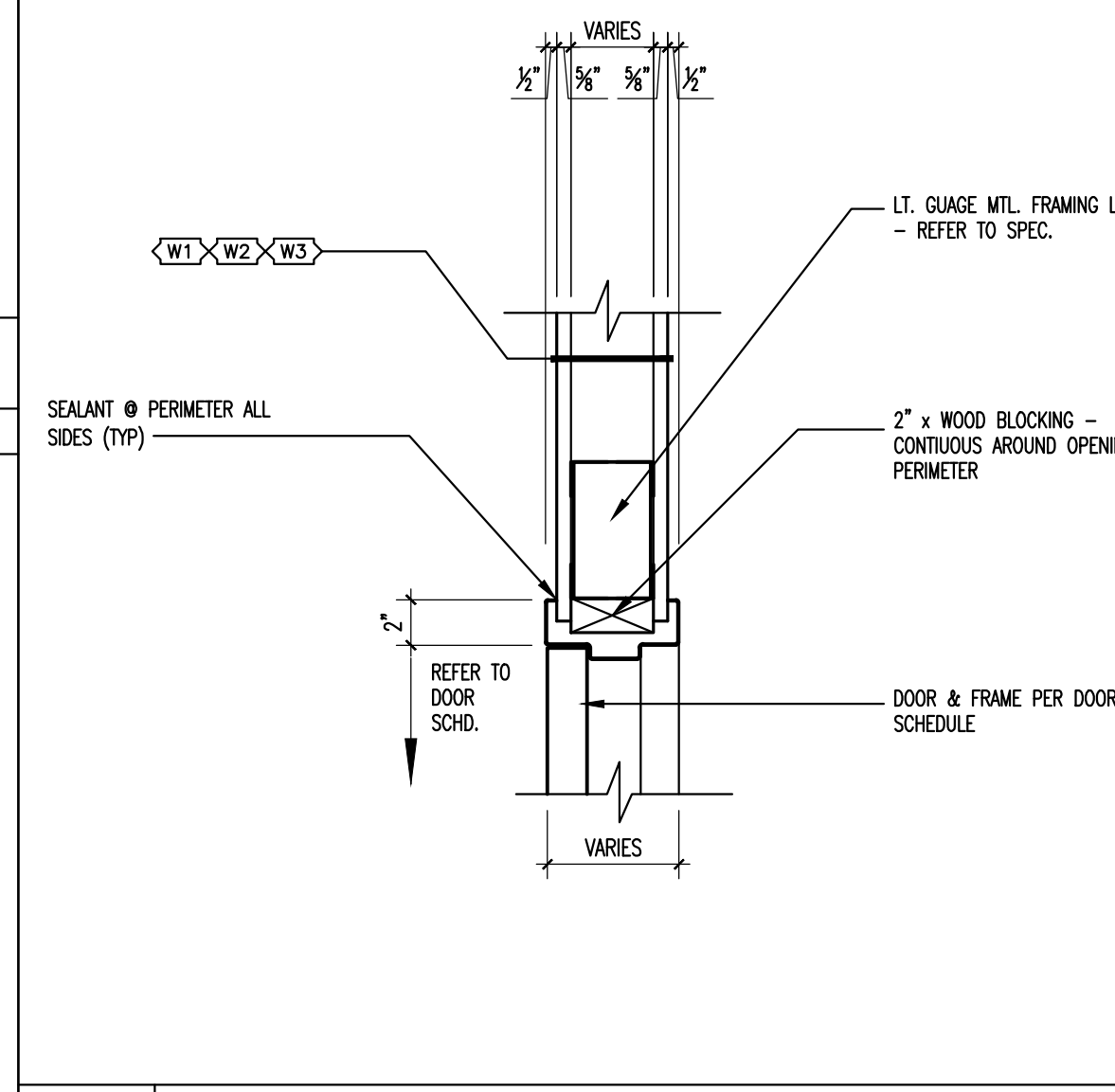
G15 SECTION DETAIL
 3"=1'-0" WINDOW SILL



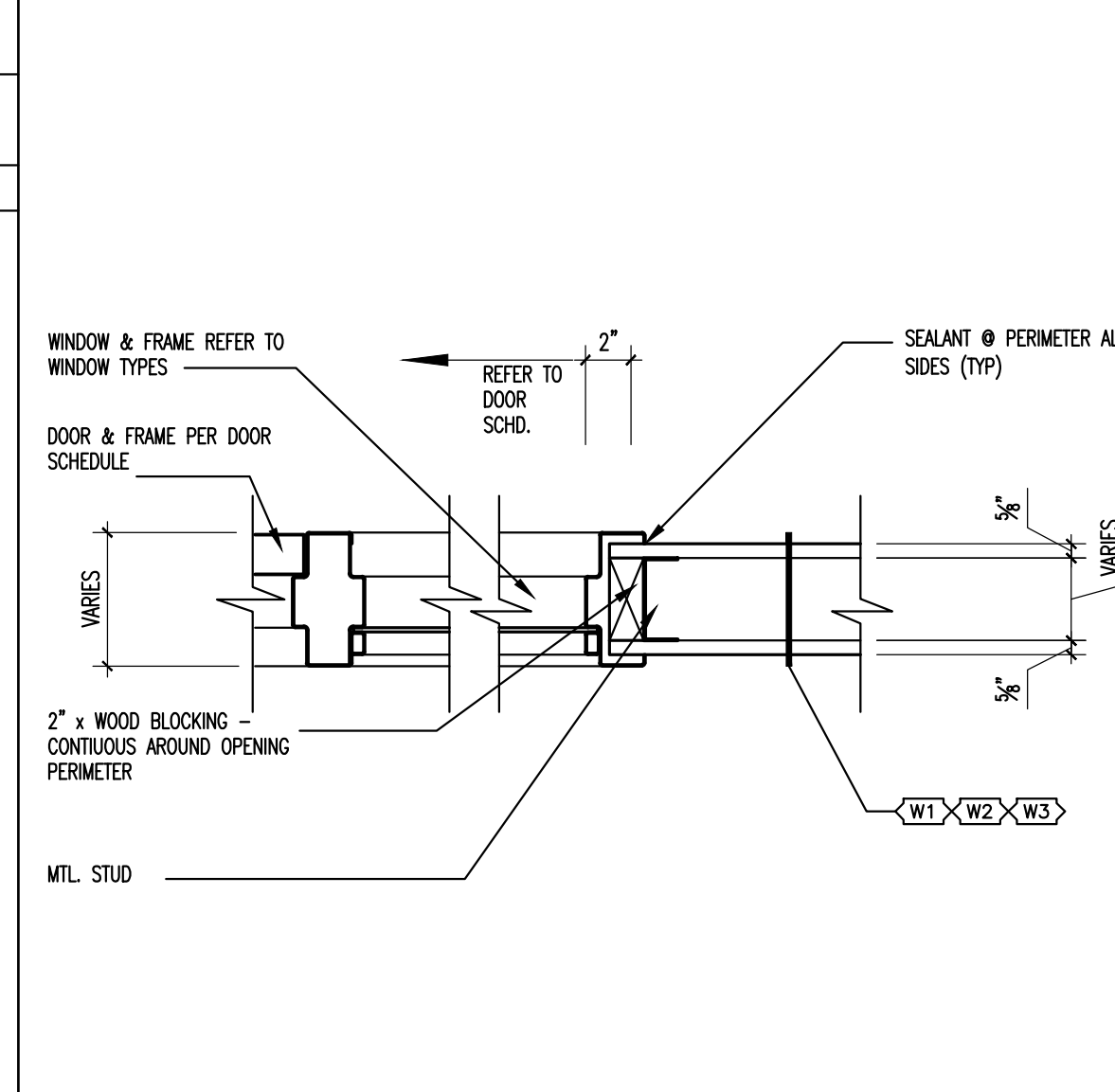
O11 WINDOW TYPES
 1/4"=1'-0" FIELD VERIFY WINDOW OPENINGS DIMENSIONS PRIOR TO FABRICATION



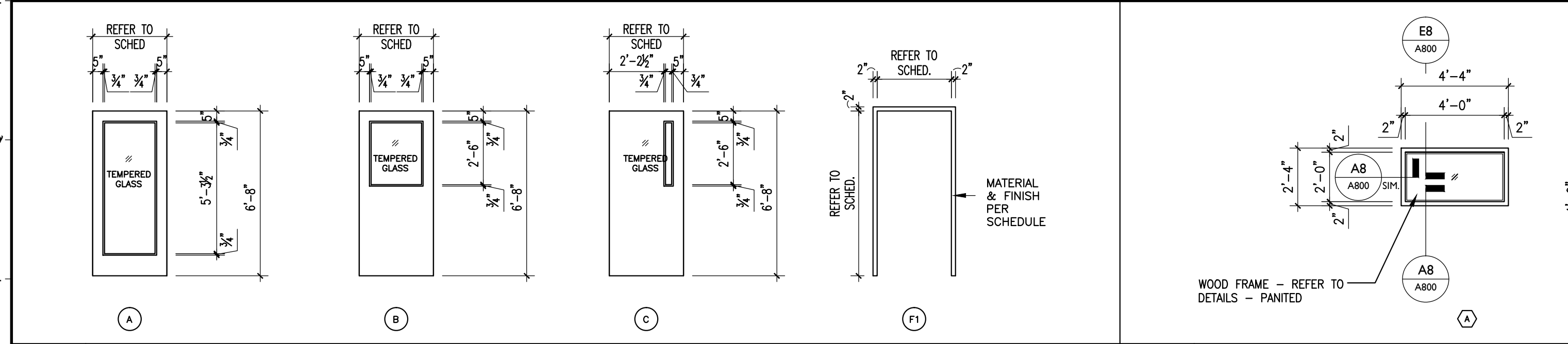
LII SECTION DETAIL
 1 1/2"=1'-0" OPENING JAMB



F11 SECTION DETAIL
 1/4"=1'-0" DOOR HEAD



A11 SECTION DETAIL
 1/4"=1'-0" DOOR JAMB

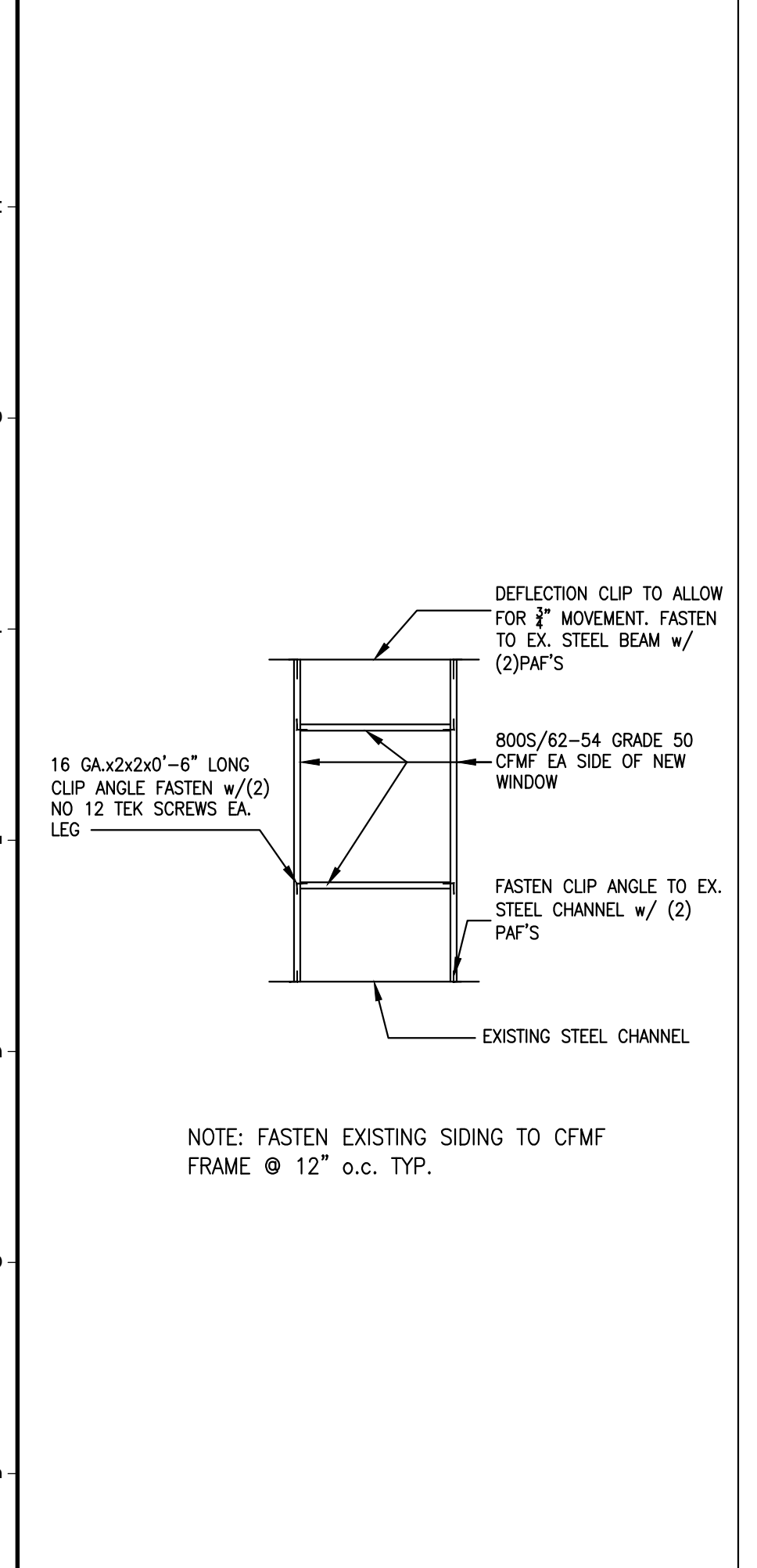


O1 DOOR & FRAME TYPE
 1/4"=1'-0" MATCH EXISTING DOOR HEIGHTS - FIELD VERIFY EXISTING DOOR HEIGHTS

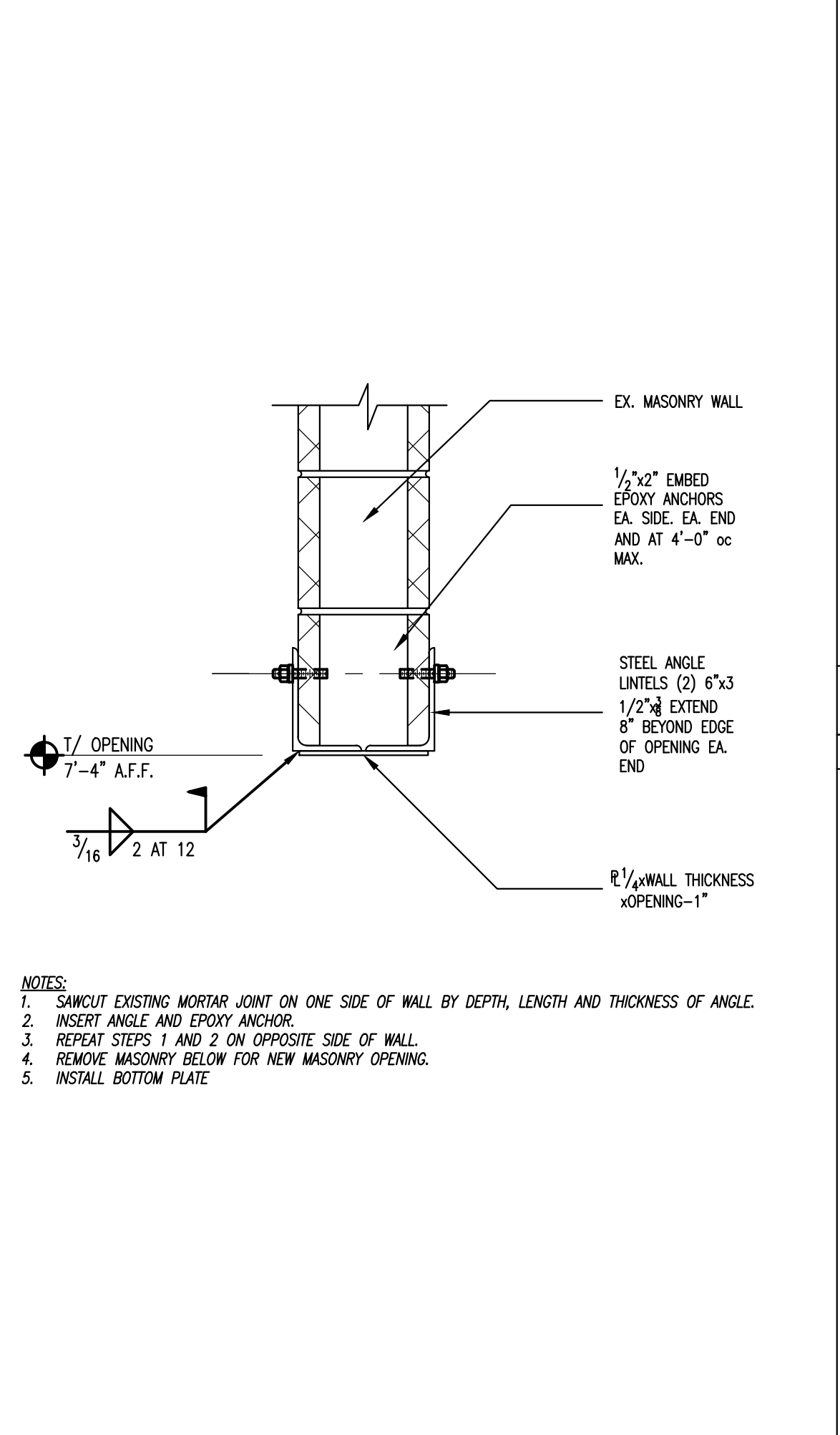
DOOR SCHEDULE												
DOOR SCHEDULE ABBREVIATIONS												
EHO	ELECTRO. HOLD OPENER	NO	NUMBER	WD	WOOD (SOLID)							
HM	HOLLOW METAL	ES	ELECTRIC STRIKE	WG	WIRE GLASS							
NS	INSULATED	TEMP	TEMPERED	S	STAIN							
MTL	METAL	THK	THICKNESS	P	PAINT							
DOORS						FRAMES						
NO	TYPE	SIZE	THK	MAT.	FINISH	REMARKS	TYPE	MAT.	DETAILS	RATING	DOORS	
							HEAD		JAMB			
							FINISH		REMARKS			
							MAT.		SILL		HEIGHT	
103	A	3'-0" x 6'-8"	1 3/4"	SCW	CLEAR	NOTE 1	F1	HM	F11/A800	A11/A800	PAINT	103
107	B	3'-0" x 6'-8"	1 3/4"	SCW	CLEAR	NOTE 1	F1	HM	F11/A800	A11/A800	PAINT	107
111	B	3'-0" x 6'-8"	1 3/4"	SCW	CLEAR	NOTE 1	F1	HM	F11/A800	A11/A800	PAINT	111
201	C	3'-0" x 6'-8"	1 3/4"	SCW	CLEAR	NOTE 1	F1	HM	F11/A800	A11/A800	PAINT	20 MIN. 201

NOTE 1 MATCH EXISTING DOOR HGT. & FINISH - FIELD VERIFY

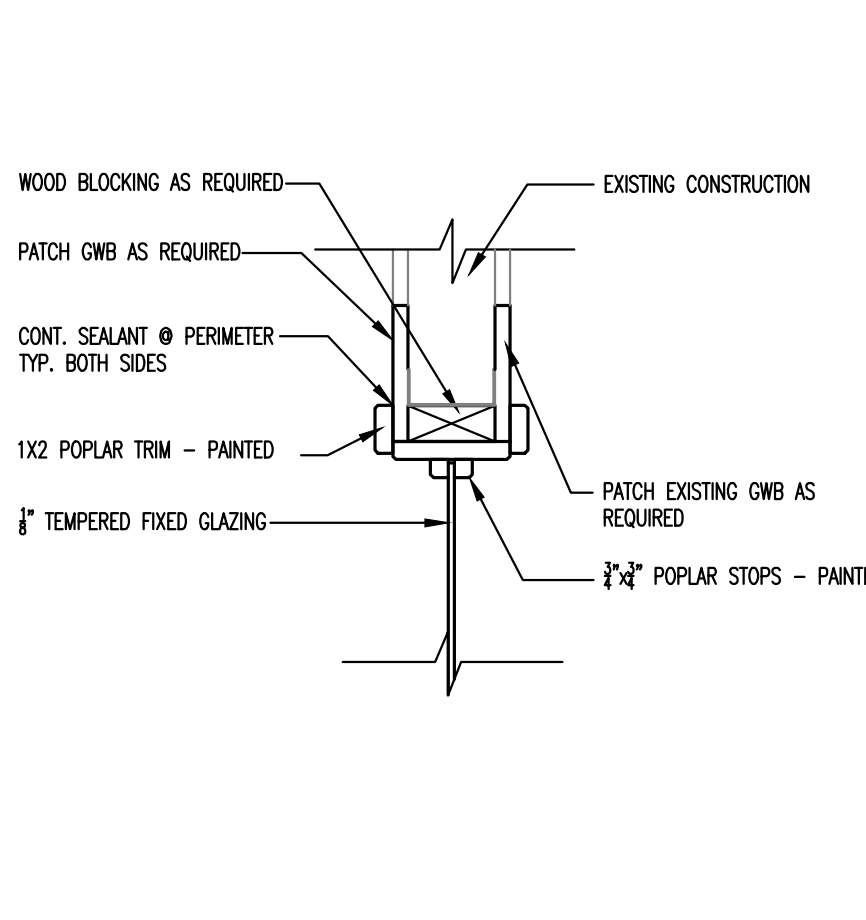
J4 DOOR SCHEDULE
 NA



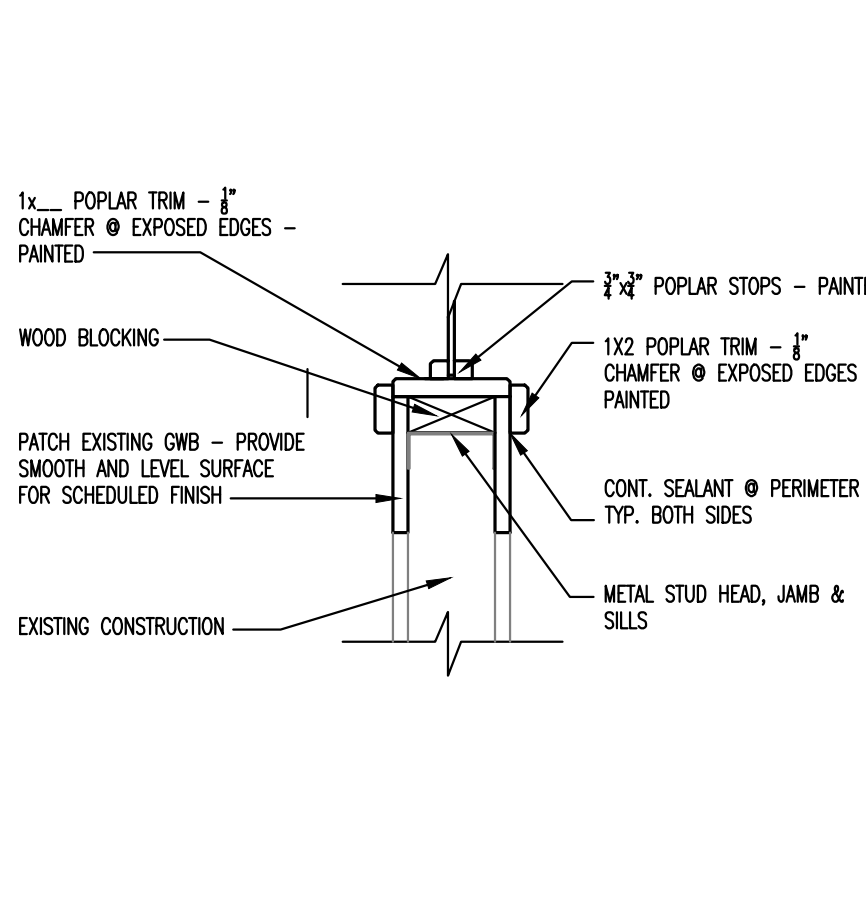
A1 ELEVATION DETAIL
 1/4"=1'-0" EXTERIOR WINDOW FRAMING



A4 SECTION DETAIL
 1 1/2"=1'-0" OPENING - HEAD



E8 SECTION DETAIL
 1 1/2"=1'-0" WINDOW HEAD



A8 SECTION DETAIL
 1 1/2"=1'-0" WINDOW SILL - JAMB SIMILAR

A11 SECTION DETAIL
 1/4"=1'-0" DOOR JAMB

A15 SECTION DETAIL
 3"=1'-0" WINDOW SILL