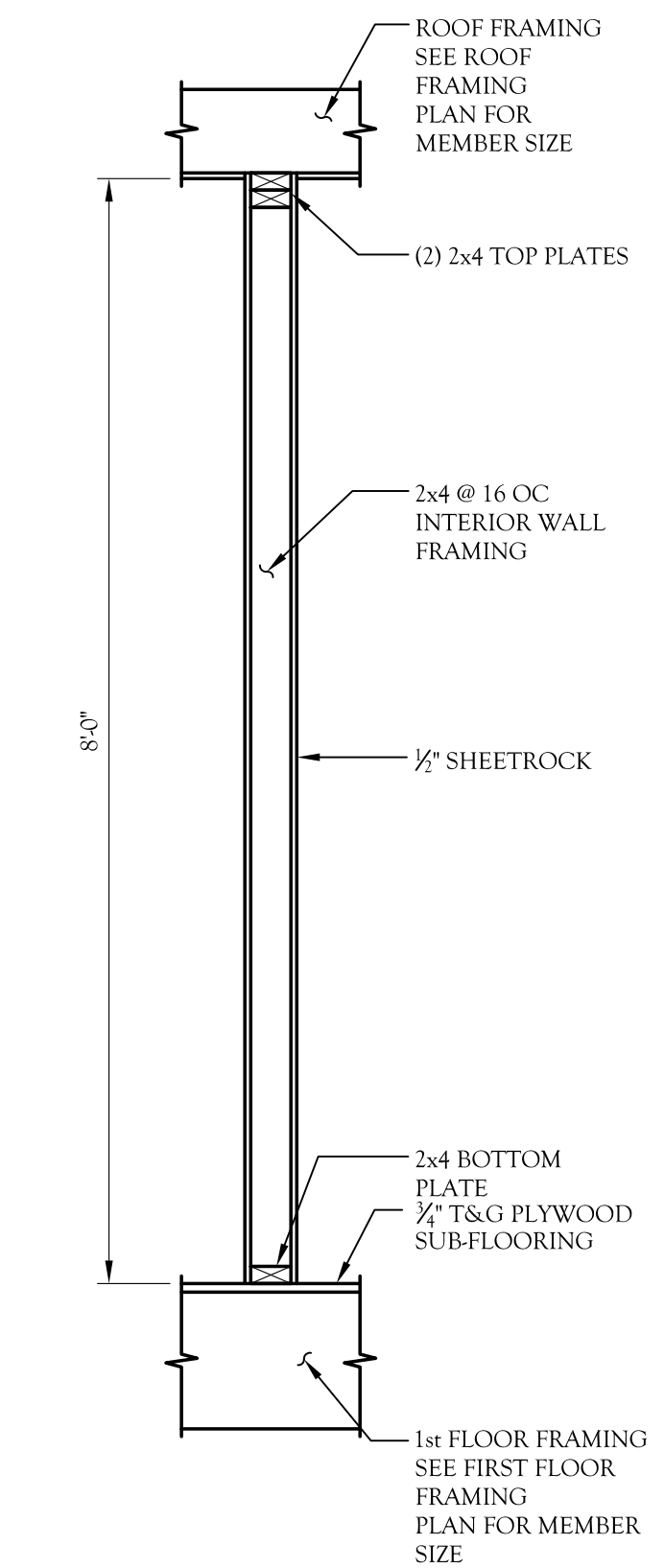
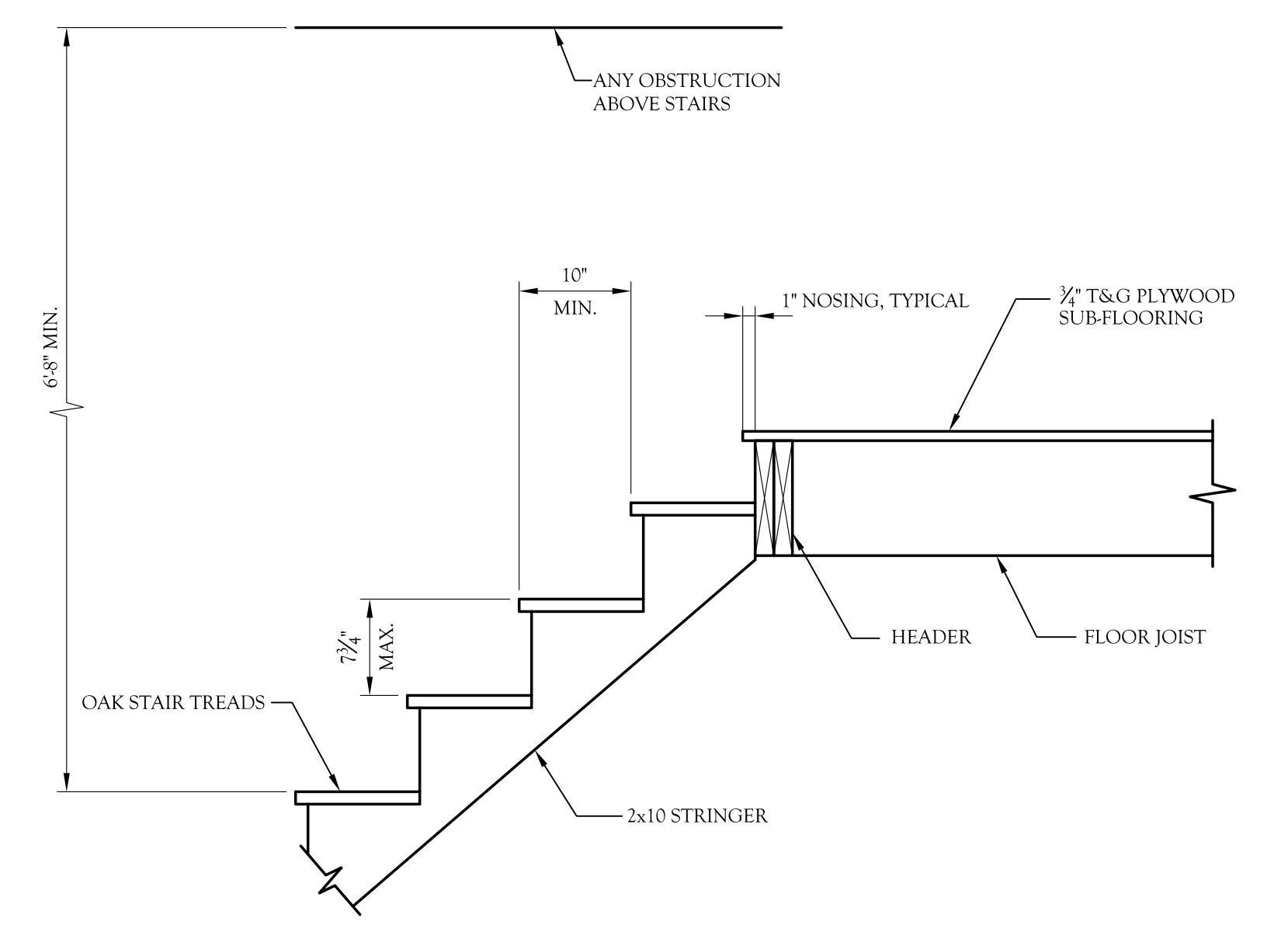


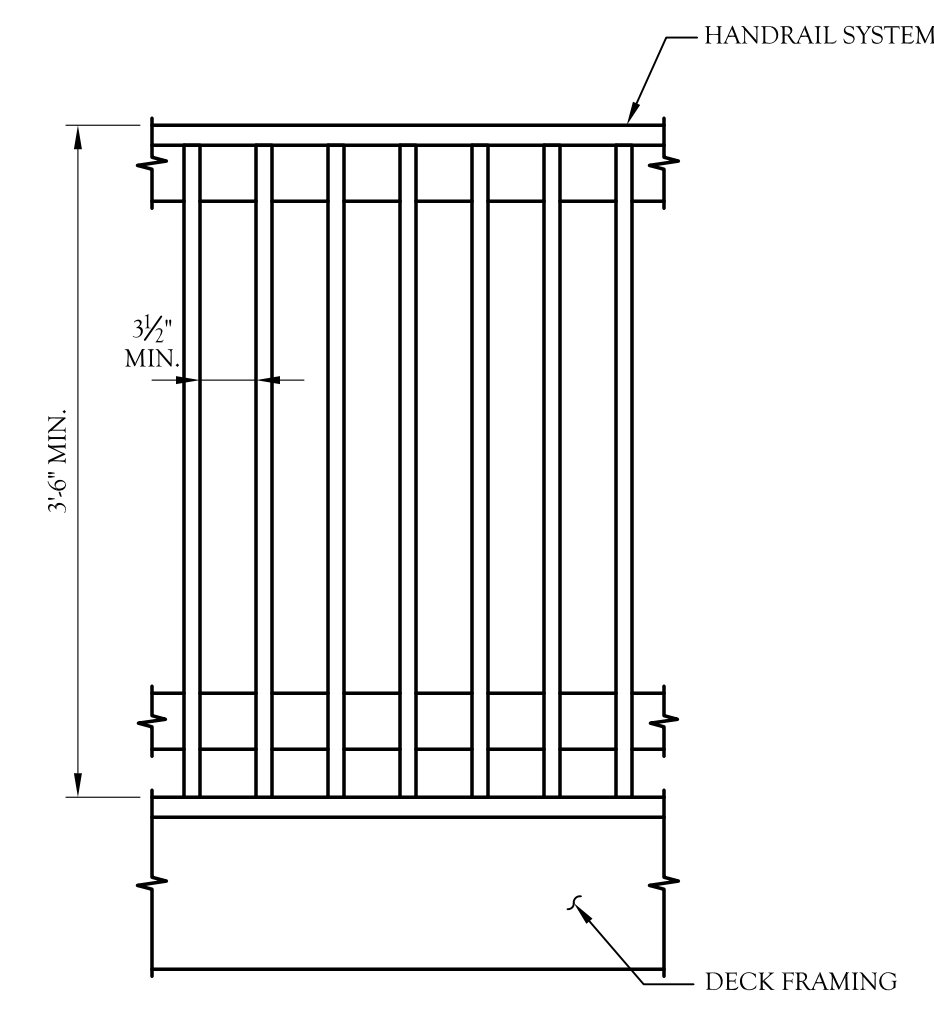
TYPICAL CROSS SECTION THRU NEW 2nd FLOOR ADDITION  
SCALE: 1/2" = 1'-0"



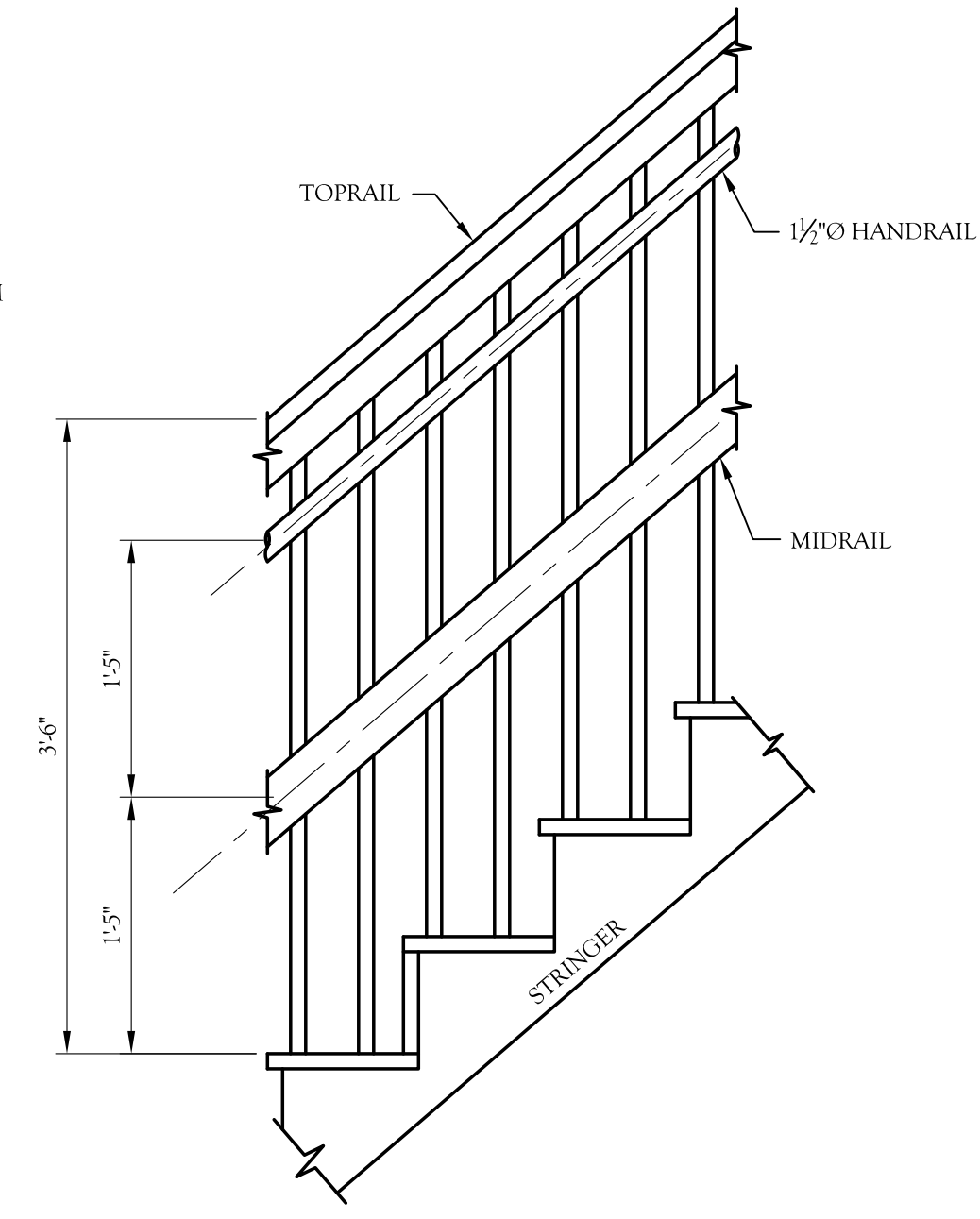
TYPICAL INTERIOR WALL  
SCALE: 1/4" = 1'-0"



TYPICAL STAIR SECTION  
SCALE: 1" = 1'-0"



TYPICAL HANDRAIL DETAIL  
SCALE: 1" = 1'-0"



TYPICAL HANDRAIL DETAIL AT STAIRS  
SCALE: 1" = 1'-0"

<b>GLENN SMITH DESIGNS</b> HOME PLANS AND GENERAL CONTRACTING 186 SOUTH WATERBORO RD. LYMAN, MAINE 04002 (207) 499-2811 / CELL (207) 590-3352	
THESE DRAWINGS ARE PREPARED AS A DRAFTING SERVICE ONLY. THE DRAFTER IS NOT RESPONSIBLE FOR DIMENSIONAL DRAFTING OR ANY OTHER TYPE OF DESIGN AND DETAILING ERRORS.	
DRAWING NO.	S5
CLIENT	KR STIFFLER CONSTRUCTION WINDHAM, MAINE
TITLE	32 TANDBERG TRAIL BUILDING ADDITION SECTIONS AND DETAILS