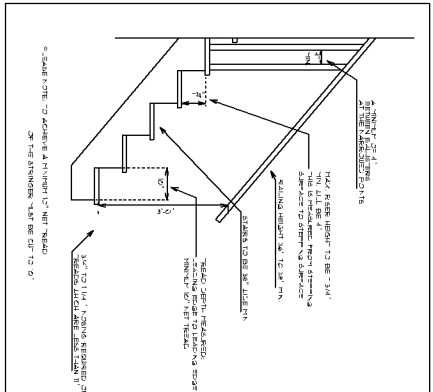
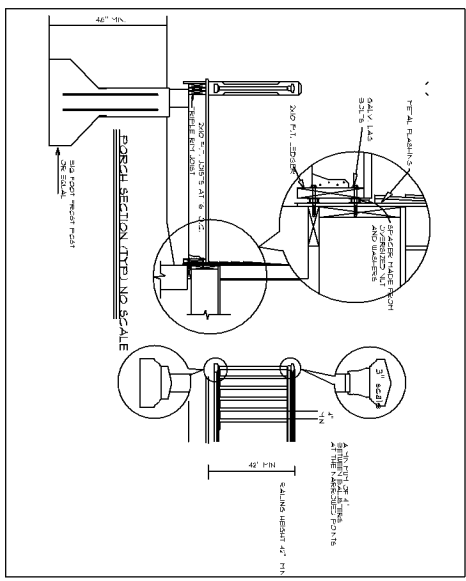
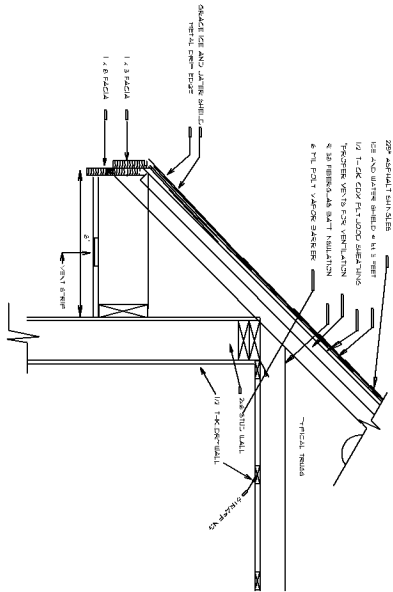


### TYPICAL TRUSS TRIM DETAIL



**CONSTRUCTION NOTES:**

1. ALL TRUSS TRIM SHALL BE PERFORMED BY THE CONTRACTOR.
2. TRUSS TRIM SHALL BE INSTALLED TO THE TOP OF THE TRUSS MEMBER.
3. TRUSS TRIM SHALL BE INSTALLED TO THE TOP OF THE TRUSS MEMBER.
4. TRUSS TRIM SHALL BE INSTALLED TO THE TOP OF THE TRUSS MEMBER.
5. TRUSS TRIM SHALL BE INSTALLED TO THE TOP OF THE TRUSS MEMBER.
6. TRUSS TRIM SHALL BE INSTALLED TO THE TOP OF THE TRUSS MEMBER.
7. TRUSS TRIM SHALL BE INSTALLED TO THE TOP OF THE TRUSS MEMBER.
8. TRUSS TRIM SHALL BE INSTALLED TO THE TOP OF THE TRUSS MEMBER.
9. TRUSS TRIM SHALL BE INSTALLED TO THE TOP OF THE TRUSS MEMBER.
10. TRUSS TRIM SHALL BE INSTALLED TO THE TOP OF THE TRUSS MEMBER.

**FASTENINGS SCHEDULE (SEE TABLE 209.4.1 IN THE RESIDENTIAL CONSTRUCTION CODE FOR COMPLETE DETAILS)**

NUMBER	DESCRIPTION	CONNECTION	NUMBER	DESCRIPTION	CONNECTION
1	1/2\"/>				

PROJECT NAME:	DOLE DRIVE SPEC	CONTRACTOR:	MARTEL BUILDERS LLC.
DATE:	11/11/2020	SCALE:	A5, 1/8\"/>
DRAWN:	AS, VJTD		
FILE:	11/11/2020		