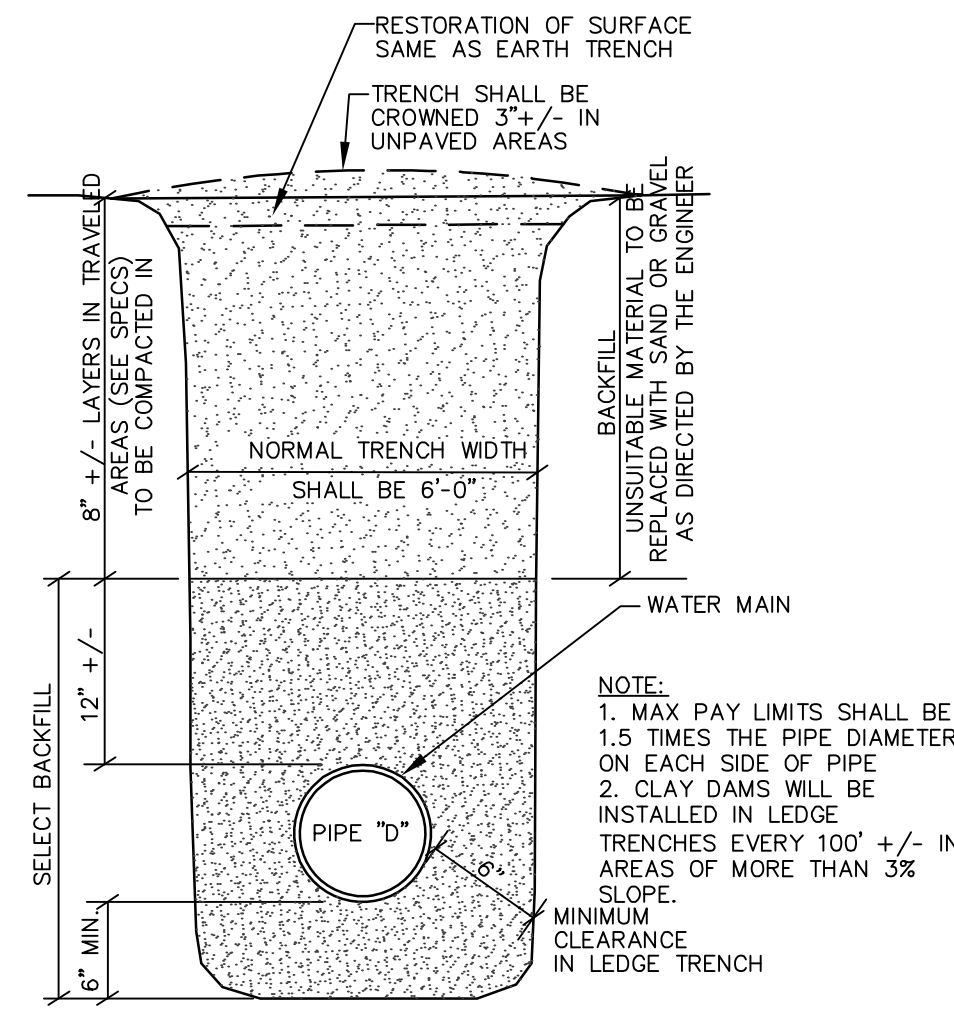


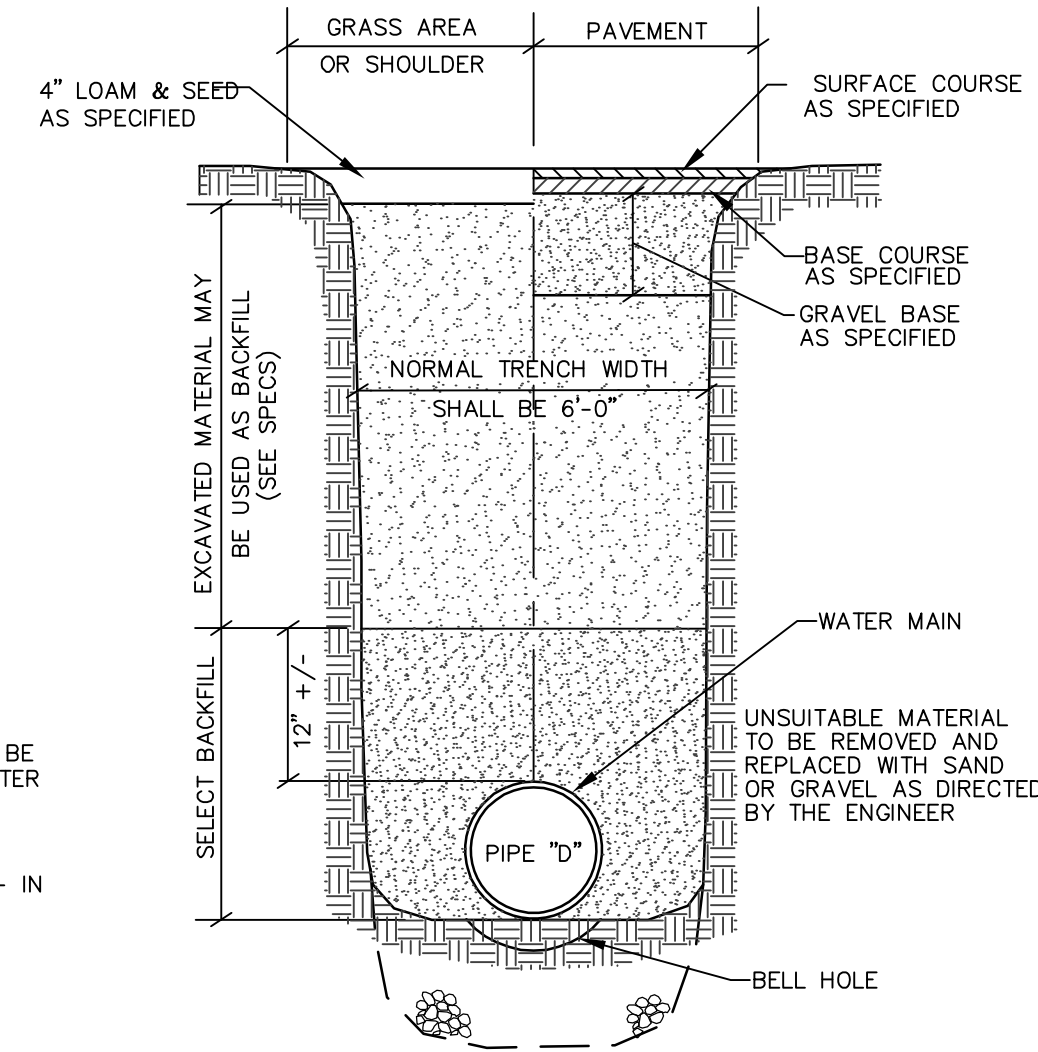
NOTES:

1. INTERMEDIATE POST SPACING SHALL BE 6'-3" UNLESS OTHERWISE SHOWN.
2. POSTS AND OFFSET BRACKETS FOR TYPE 3b GUARD RAIL SHALL BE W 6x8.
3. ALL HOLES IN BEAM TO BE SHOP-PUNCHED BEFORE GALVANIZING.

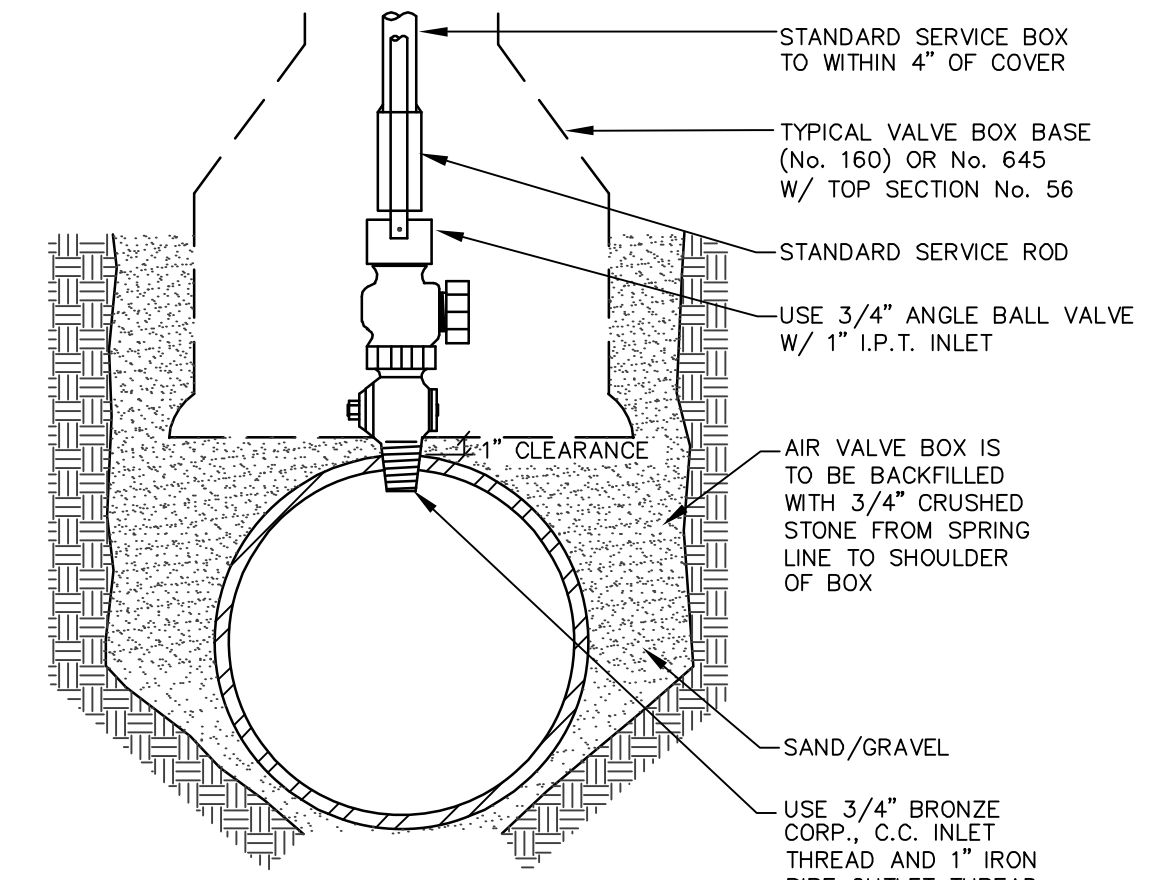
GUARDRAIL TYPE 3b
NOT TO SCALE



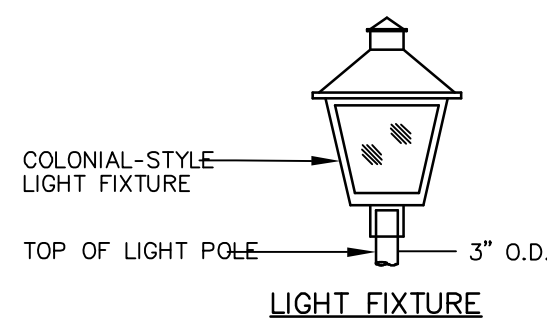
SECTION THRU LEDGE TRENCH
NOT TO SCALE



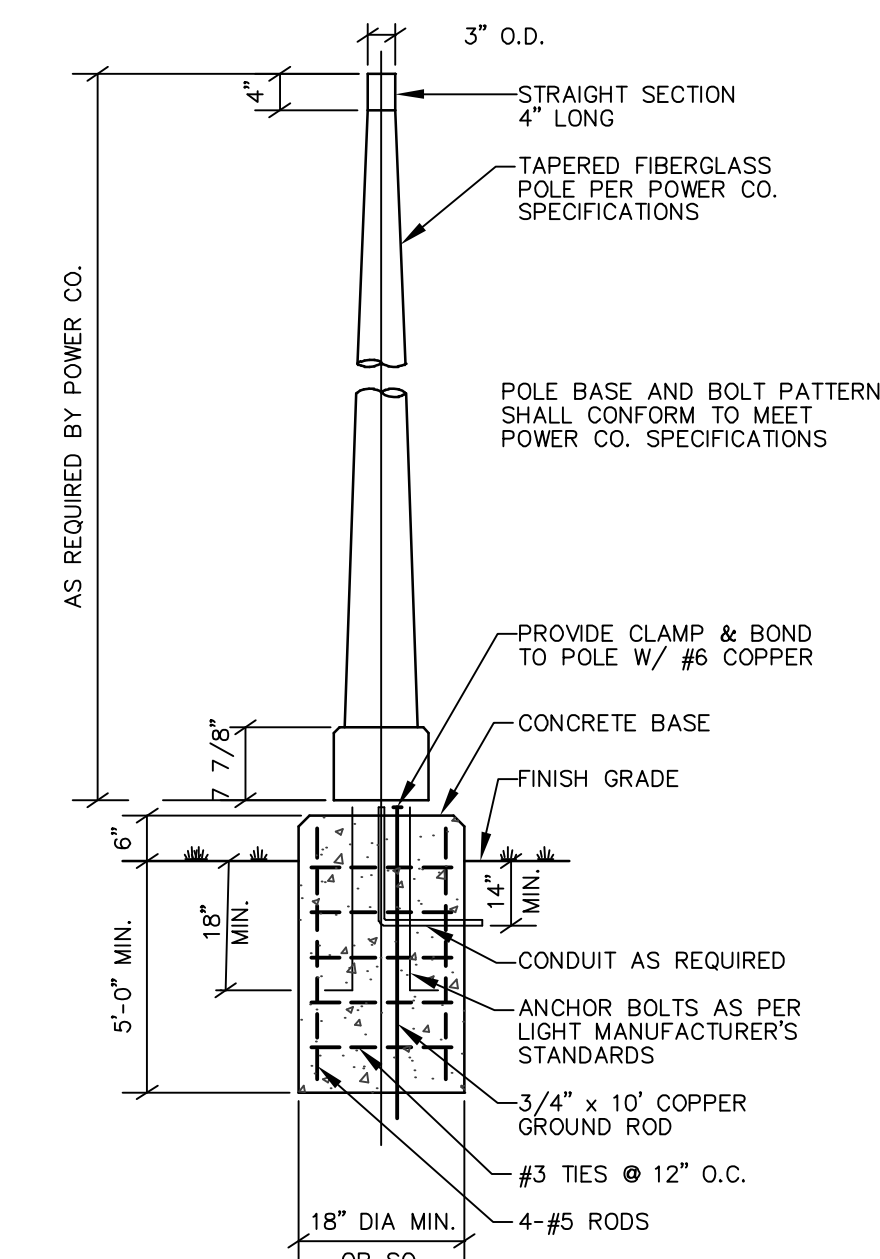
SECTION THRU EARTH TRENCH
NOT TO SCALE



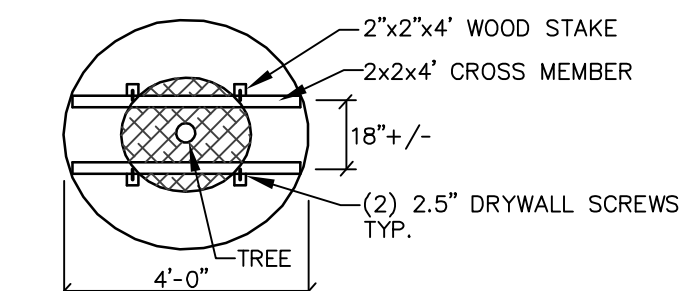
TYPICAL AIR VALVE (1")
NOT TO SCALE



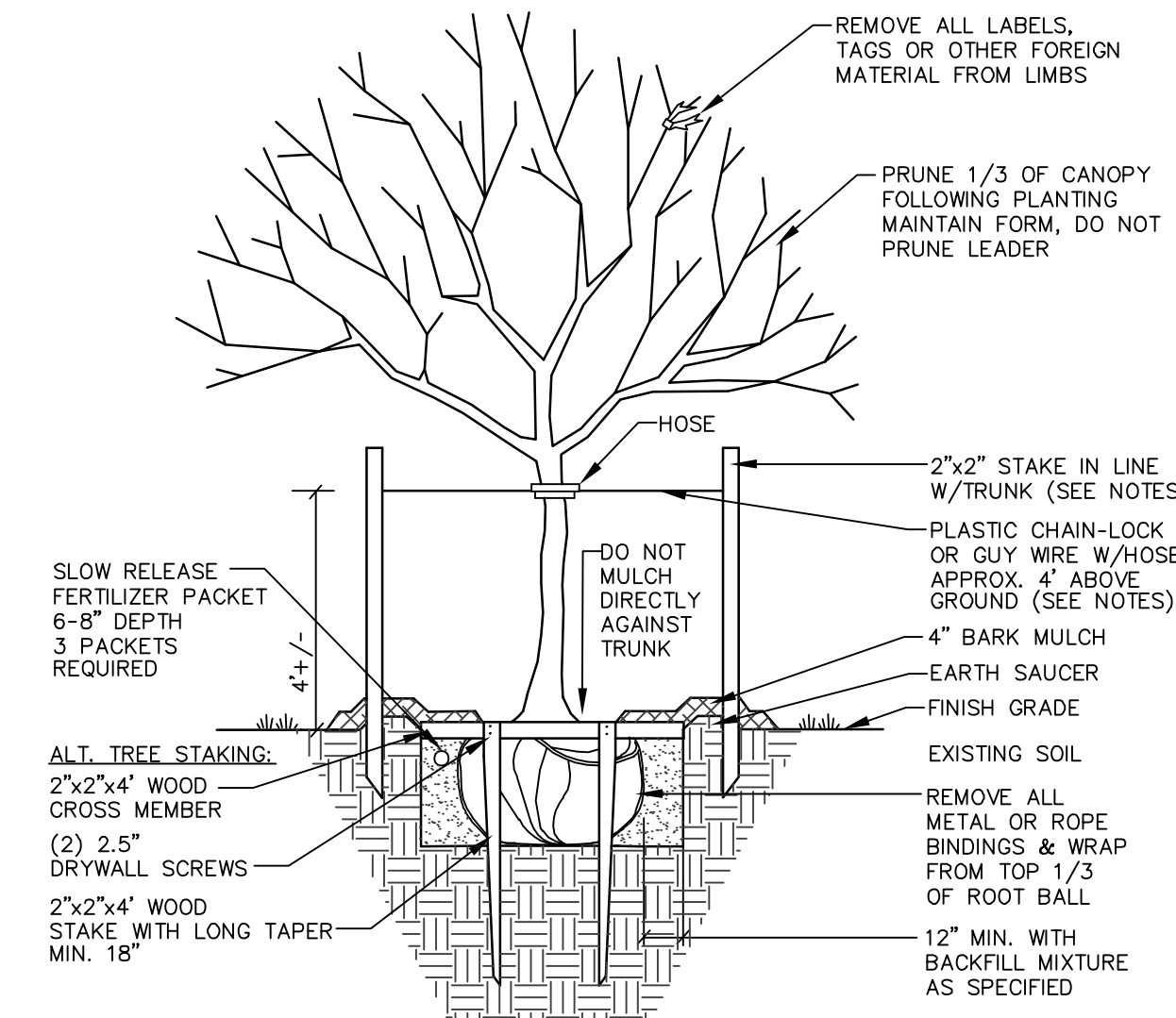
LIGHT FIXTURE



TYPICAL LIGHT POLE DETAIL
NOT TO SCALE



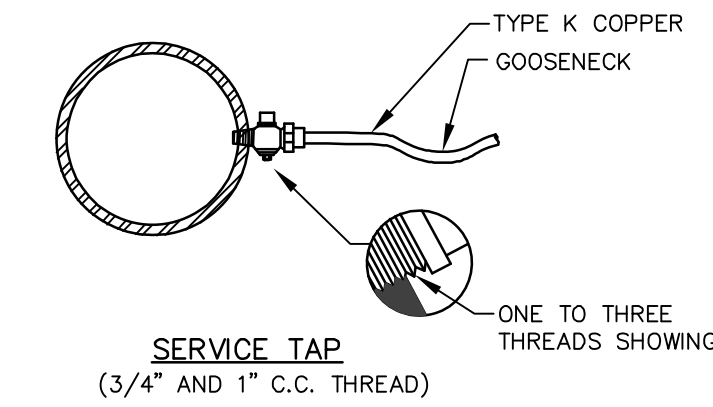
ALT. TREE STAKING PLAN
NOT TO SCALE



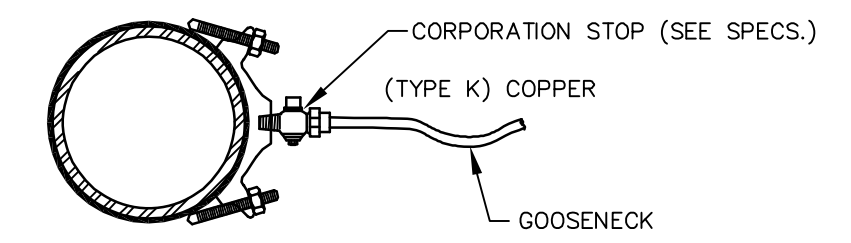
NOTES:

- INSTALL STAKES AND GUYS TO TREES IF THE FOLLOWING APPLY:
1. THE TREE IS OF SUBSTANTIAL SIZE.
 2. THE PLANTING LOCATION IS EXTREMELY WINDY, AS ON OPEN UNDEVELOPED SITES.
 3. THE PLANTING LOCATION IS COMPRISED OF SAND OR OTHER LOOSE TEXTURED SOILS.
 4. IF STAKES AND GUYS ARE REQUIRED, REMOVE AFTER ONE YEAR TIME.

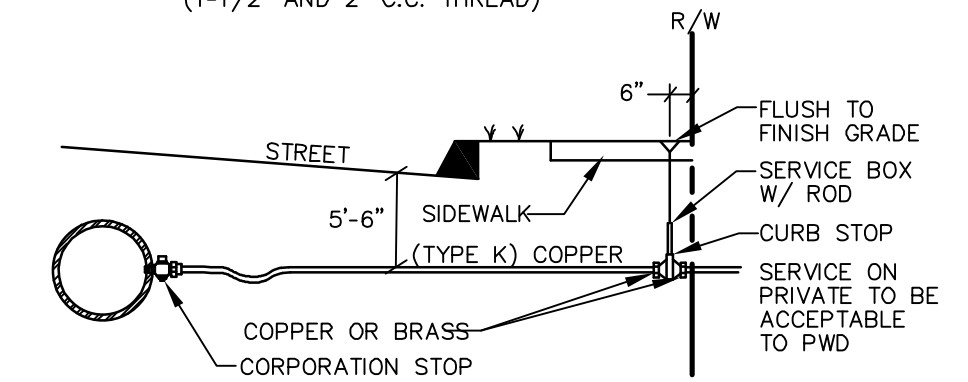
DECIDUOUS TREES 2" TO 4" CALIPER
NOT TO SCALE



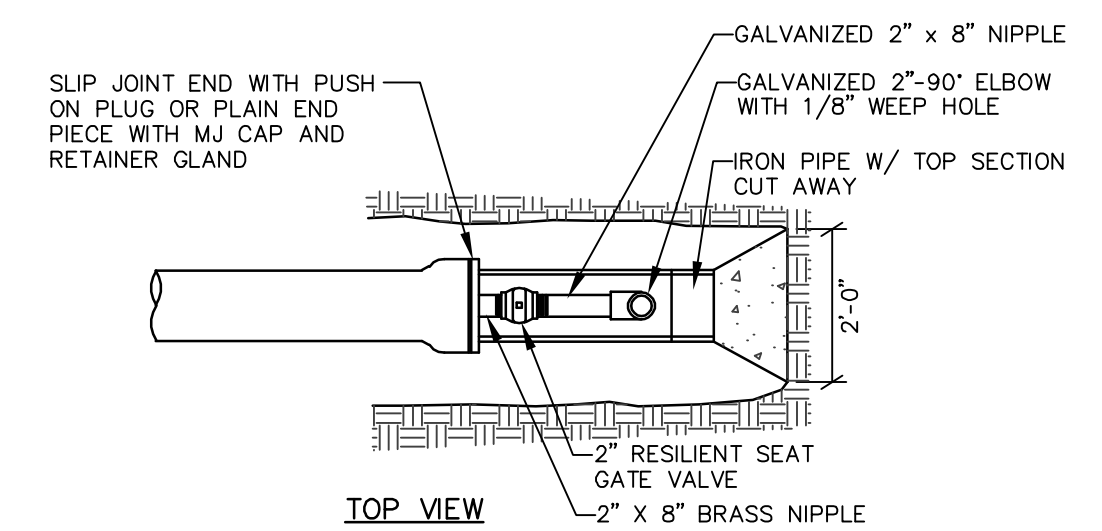
SERVICE TAP
(3/4" AND 1" C.C. THREAD)



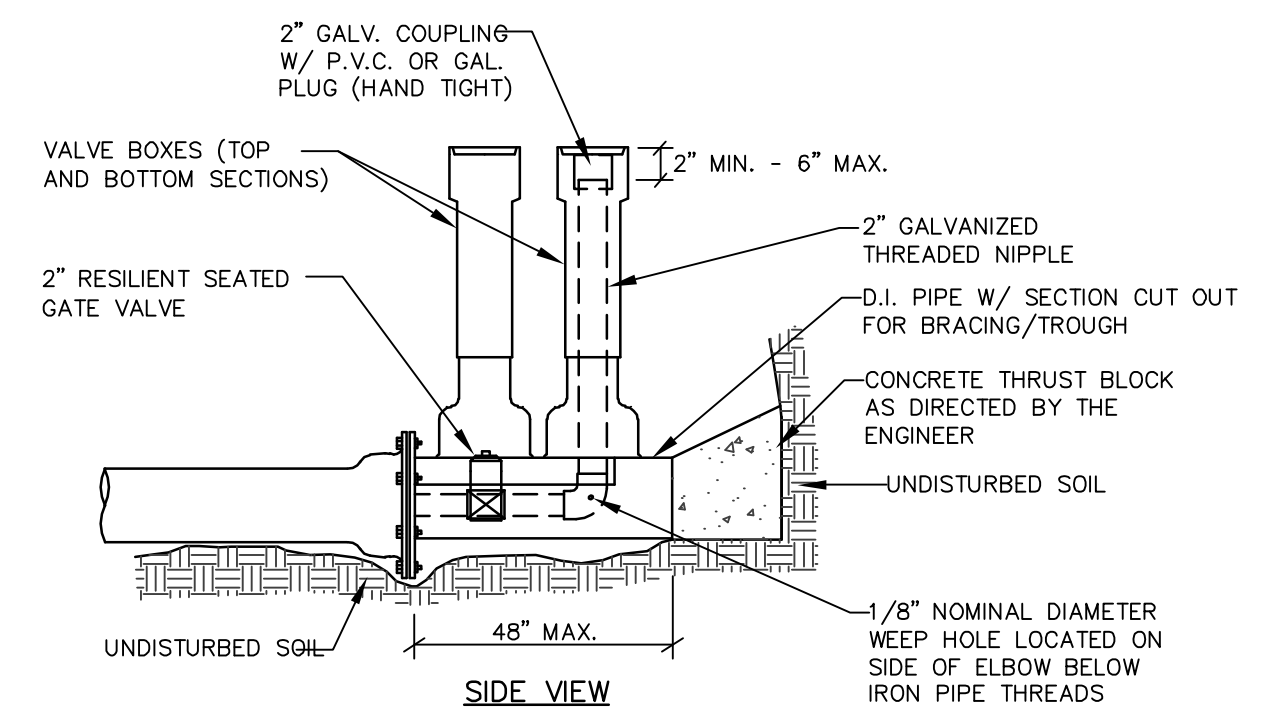
SERVICE SADDLE
(1-1/2" AND 2" C.C. THREAD)



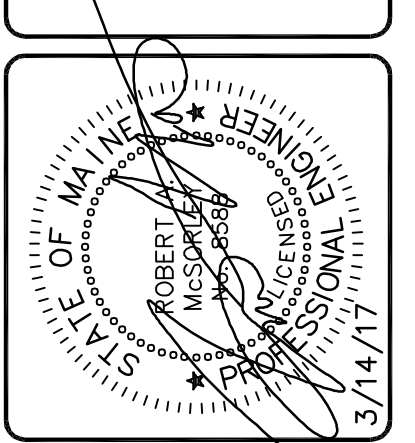
TYPICAL SERVICE CONNECTION
NOT TO SCALE



TOP VIEW
2" X 8" BRASS NIPPLE



STANDARD 2" BLOW-OFF
NOT TO SCALE



DESIGNED	CHECKED
GJH	RAM
A GJH 3-14-17 PLANNING BOARD SUBMISSION	
REV. BY: DATE: STATUS:	
THIS PLAN SHALL NOT BE MODIFIED WITHOUT WRITTEN PERMISSION FROM SEBAGO TECHNICS, INC. ANY ALTERATIONS AUTHORIZED OR OTHERWISE, SHALL BE AT THE USER'S SOLE RISK AND WITHOUT LIABILITY TO SEBAGO TECHNICS, INC.	

SEBAGO TECHNICS
WWW.SEBAGOTECHNICS.COM
75 John Roberts Rd., Suite B
South Portland, ME 04106
Tel. 207-783-5656

DETAILS
OF: **KNIGHT FARM SUBDIVISION**
1728 WASHINGTON AVE
PORTLAND, MAINE 04103
FOR: **GREENLIGHT ENTERPRISES, LLC**
1728 WASHINGTON AVE
PORTLAND, MAINE 04103

PROJECT NO.	SCALE
16533	NTS