

SCALE: 1/8" = 1'

D.O.P (MAY NEED DUMP)

# BOBCAT / MINI DIG

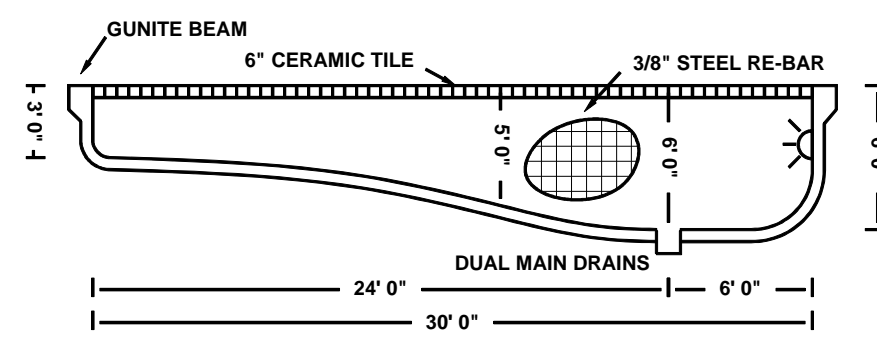
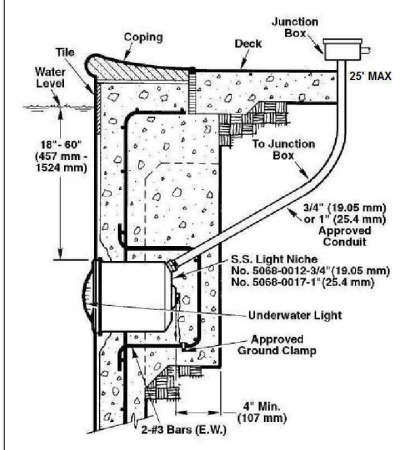
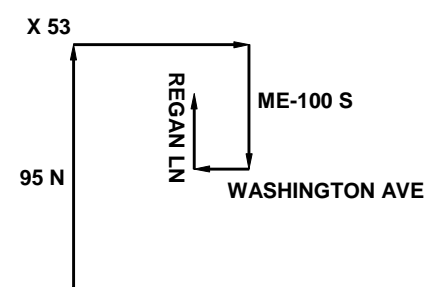
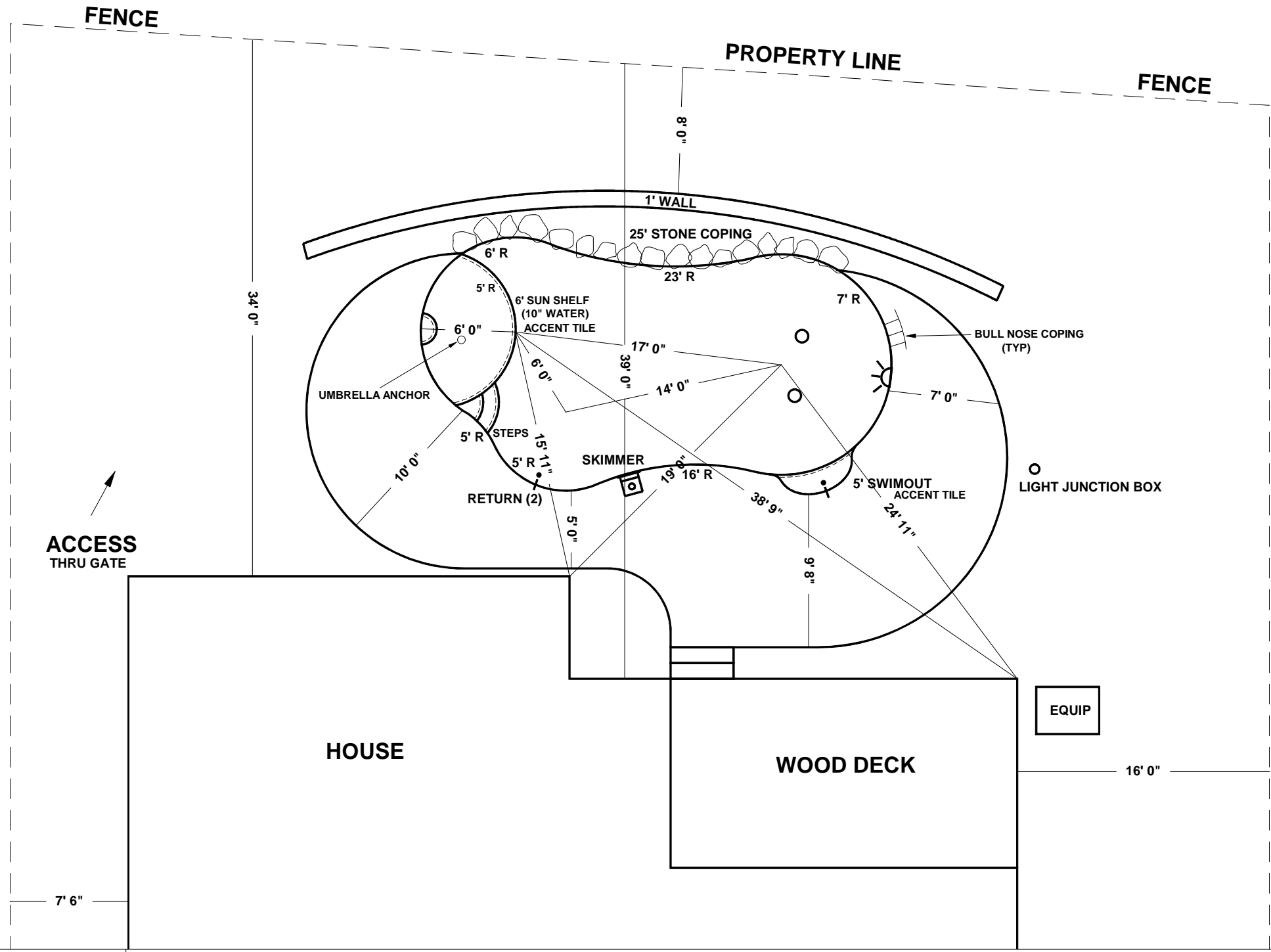


373 SHATTUCK WAY, NEWINGTON, N.H. 03801  
(603) 431-7800

JOB INFORMATION	POOL	
JOB NUMBER: <b>4356</b>	SIZE: <b>12' X 14' X 30'</b>	WATER DEPTH: <b>3' - 6'</b>
NAME: <b>DOROTHY &amp; BILL MORRELL</b>	CODE: <b>36915077</b>	SHAPE: <b>BAHIA</b>
ADDRESS: <b>136 REGAN LANE</b>	GALS: <b>13,000</b>	
CITY / STATE: <b>PORTLAND, ME</b>	PUMP: <b>HAYWARD</b>	H.P.: <b>1</b>
RES. PHONE: <b>207-878-3900</b> DOROTHY CELL: <b>207-831-8697</b>	FILTER: <b>STA-RITE</b>	SIZE: <b>S7M120</b>
E-MAIL: <b>BDMORRELL@MAINE.RR.COM</b>	SKIMMER: <b>PAC-FAB</b>	QTY: <b>1 (WHITE)</b>
SALESMAN: <b>TORY BIANCHI</b>	TURBO: _____	RETURNS: <b>2</b> JETS: _____

DIRECTIONS	POOL & SPA
MILES: <b>60</b>	MAIN DRAIN W/ HYDROSTATIC RELIEF: <b>(2) WHITE</b>
<b>95 NORTH TO EXIT 53</b> <b>RIGHT ON ME-100 S / ME-26 S</b> <b>RIGHT ON WASHINGTON AVE</b> <b>RIGHT ON REGAN LN</b> <b>#136 ON LEFT</b>	HEATER: <b>HAYWARD</b> BTU: <b>400K</b> FUEL: <b>PRO</b> IN: _____ OUT: <b>X</b>
	LIGHT: <b>500 W</b> CORD LENGTH: <b>50'</b>
	FIBER OPTICS: _____ PER: _____ LS LIGHTS: _____
	VAC HEAD: <b>YES</b> HOSE: <b>35'</b>
	ELECTRONIC WATER LEVELER: _____
	CONTROL SYSTEMS: <b>AQUARITE PLUS</b>
	SANITIZERS: <b>SENSE &amp; DISPENSE CO2</b>
	GRAB RAILS: _____ HAIRPIN: _____ HANDRAIL: _____
	LADDERS: _____ HANDICAP LIFT: _____
	DIVING BOARD SIZE: _____
ROPE RINGS: _____ W/ ROPE & FLOATS: _____	
SANITIZER CHEMICALS - BROMINE: _____ CHLORINE: <b>YES</b>	

SPECIAL NOTES	POOL & SPA
<b>* SUNSHELF</b> <b>\$1,000 PER DAY AFTER 1 DAY TO DIG</b>	PLASTER COLOR: <b>WET EDGE LUNA QUARTZ ARUBA</b>
	TILE COLOR & NUMBER: <b>TBD</b>
	ACCENT TILE: <b>YES</b>
	DECK SQ: <b>510 EXPOSED AGG (TRIAD)</b>
	COPING: <b>52' BULLNOSE COPING + 25' STONE COPING</b>
	FILL: <b>N/A</b> <b>BY TRIAD</b>
	ELECTRIC BY: <b>N/A</b>
	GRADING: <b>N/A</b>
	TREES & STUMPS BY: <b>N/A</b>



WET EDGE LUNA QUARTZ ARUBA

CONCEPTUAL DRAWING  
ACCEPTED BY:

X \_\_\_\_\_



DATE CREATED: <b>05/05/2015</b>
<b>REVISIONS</b>