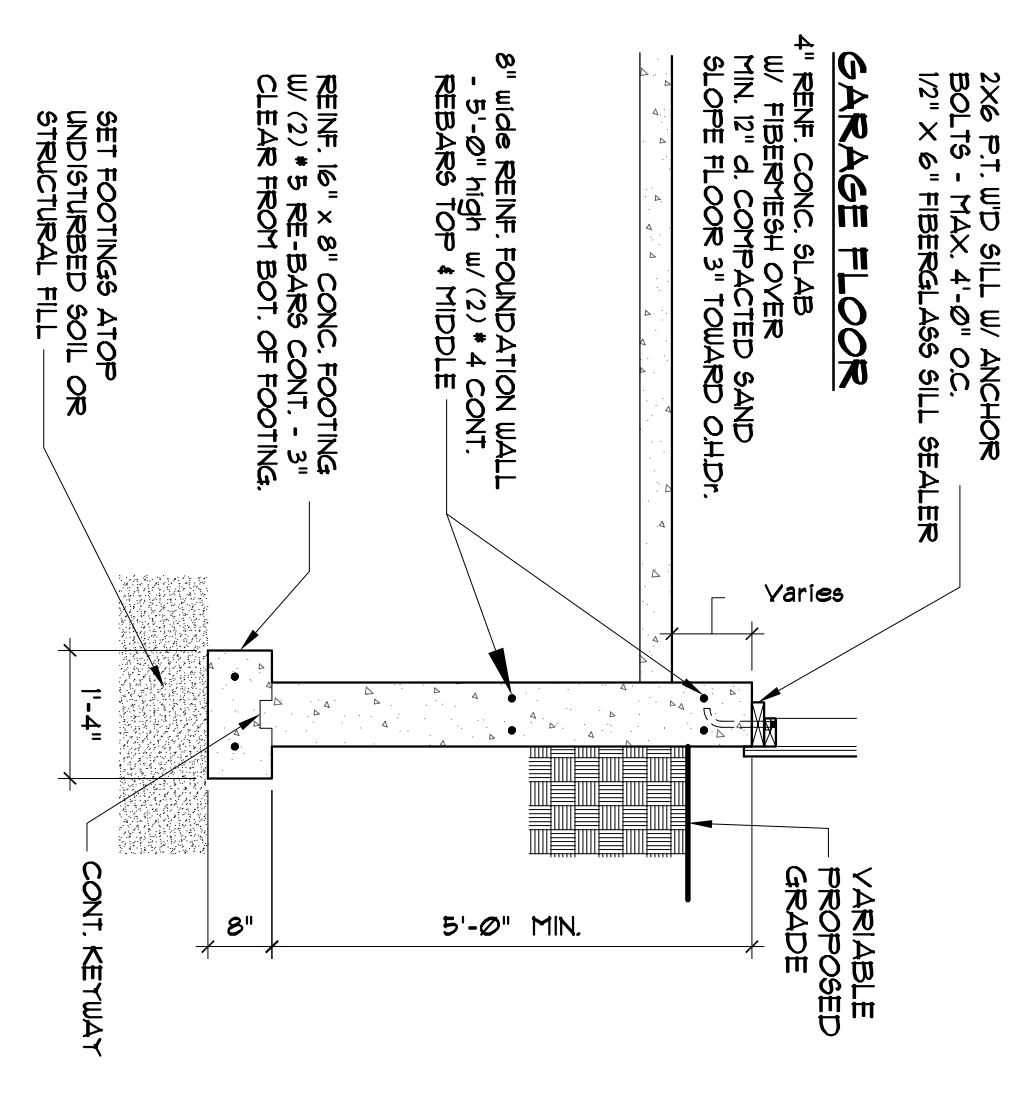
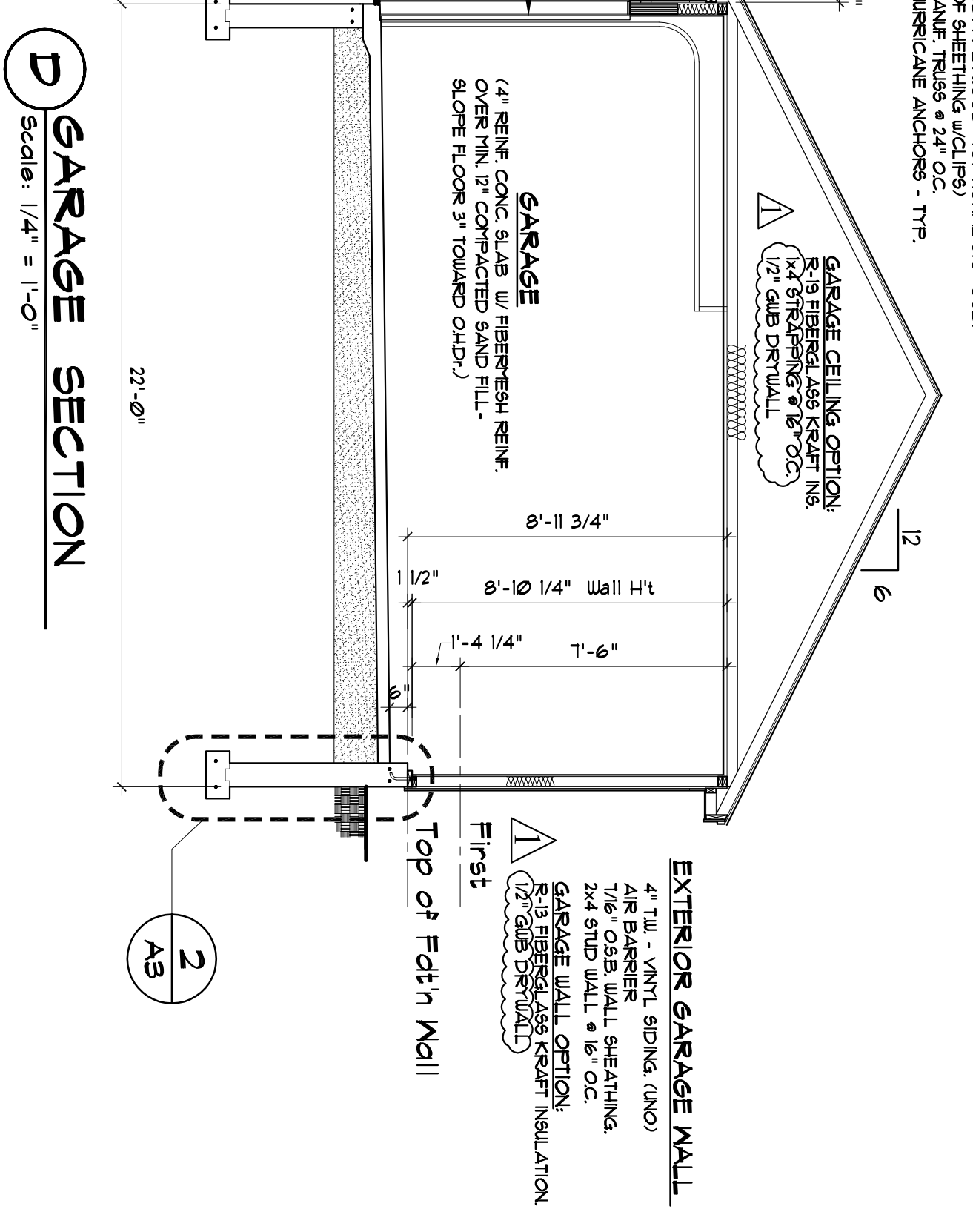


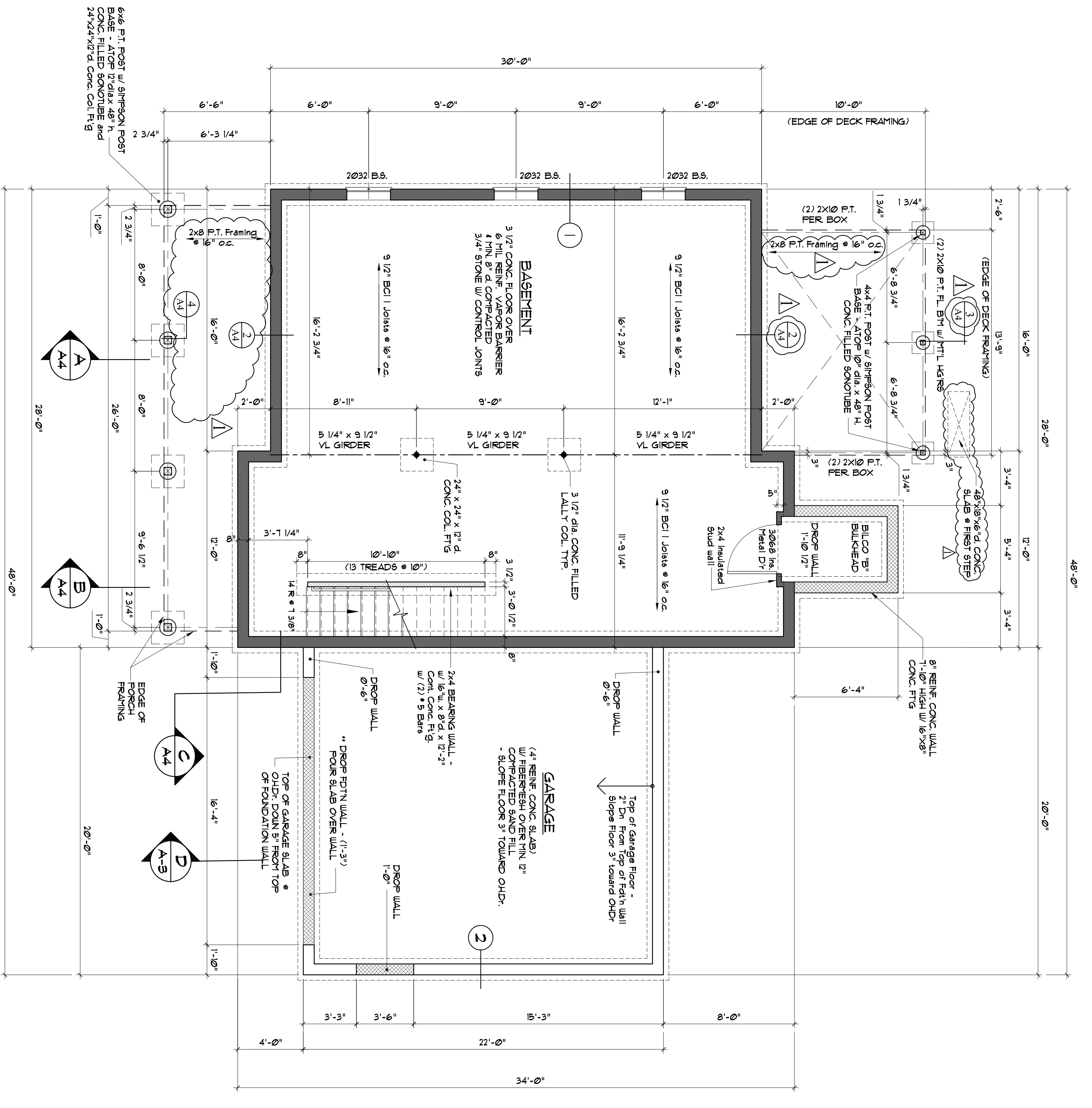
1 BASEMENT FDTN WALL
SCALE: 1/2" = 1'-0"



2 GARAGE FDTN WALL
SCALE: 1/2" = 1'-0"



D GARAGE SECTION
Scale: 1/4" = 1'-0"



FOUNDATION / BASEMENT PLAN
Scale: 1/4" = 1'-0"

NO.	DATE	REVISION	DESCRIPTION
1	01/02/15	CHANGE 5/8" GUB TO 1/2" GUB IN GARAGE	

DIDONATO ARCHITECTS
Commercial • Residential

134 Guinea Road Kennebunkport, ME 04046
P: 207.286-2900 F: 207.286-2900
"E" Mail: jdidonato@roadrunner.com
www.didonatoarchitects.com

Lot # 16 SKYLARK COMMONS
COLONIAL DESIGN - RH Garage
FRANK & SANTO DIDONATO
89 Skylark Road
Portland, MAINE

DRAWINGS THIS SHEET

FOUNDATION PLAN & DETAILS

DATE: 10/28/14
REV/ISSN DATE: -
DRAWN BY: JFD

6-SHEET:
A3

REVISED - 01/02/05

© COPYRIGHT
REPRODUCTION OR RESALE OF THIS
DRAWING OR ANY PART THEREOF
WITHOUT THE WRITTEN PERMISSION IS
PROHIBITED.