

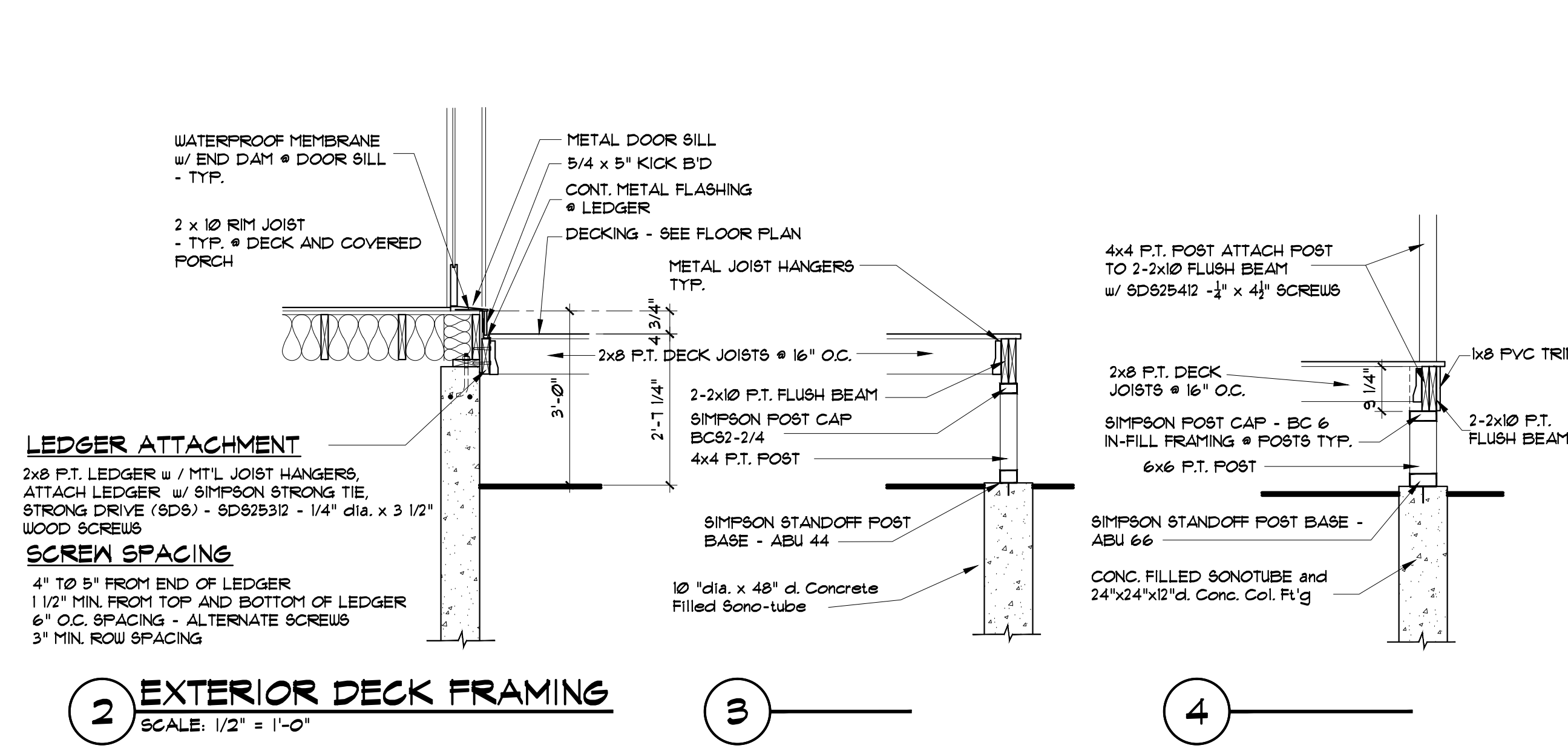
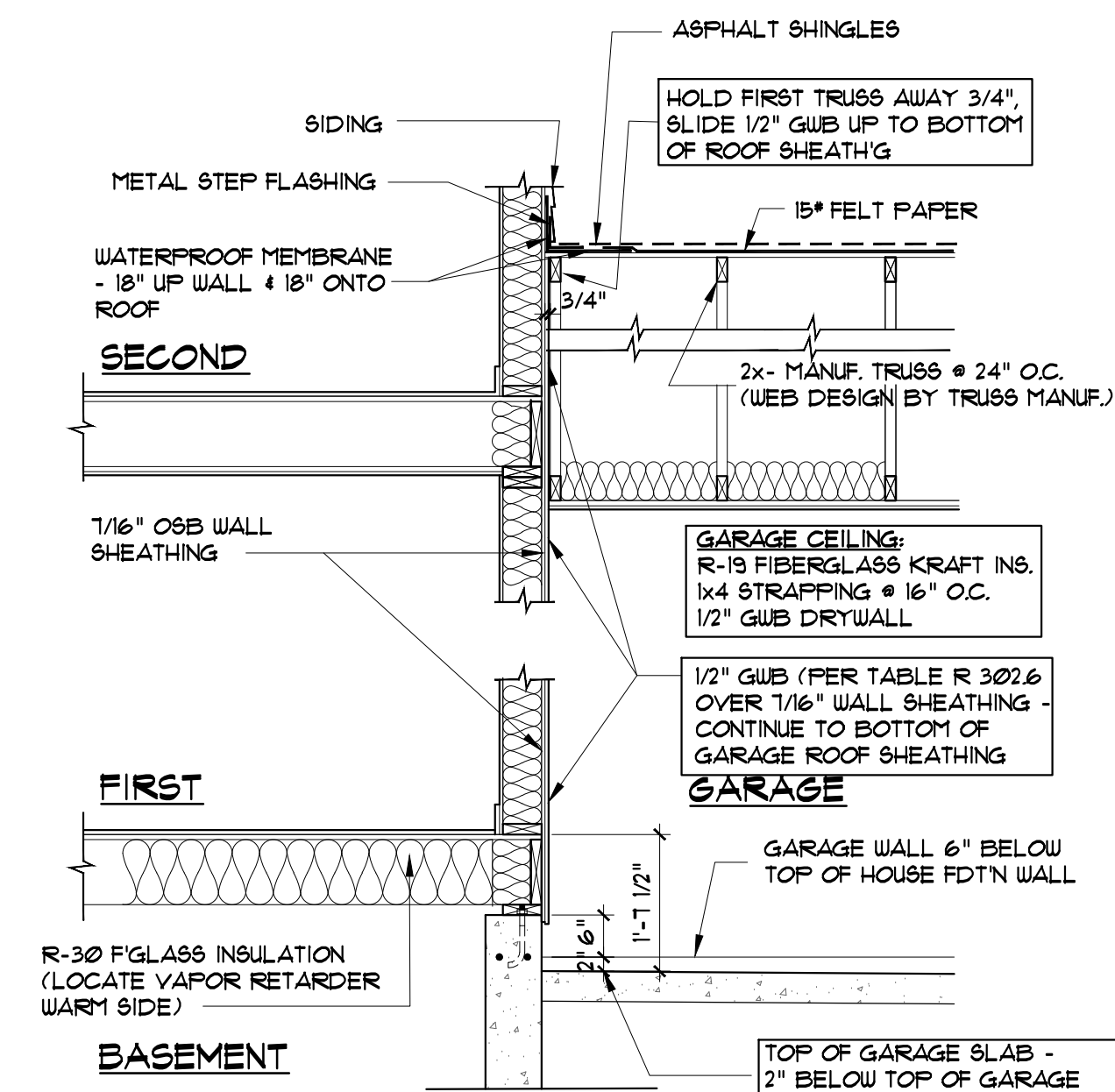
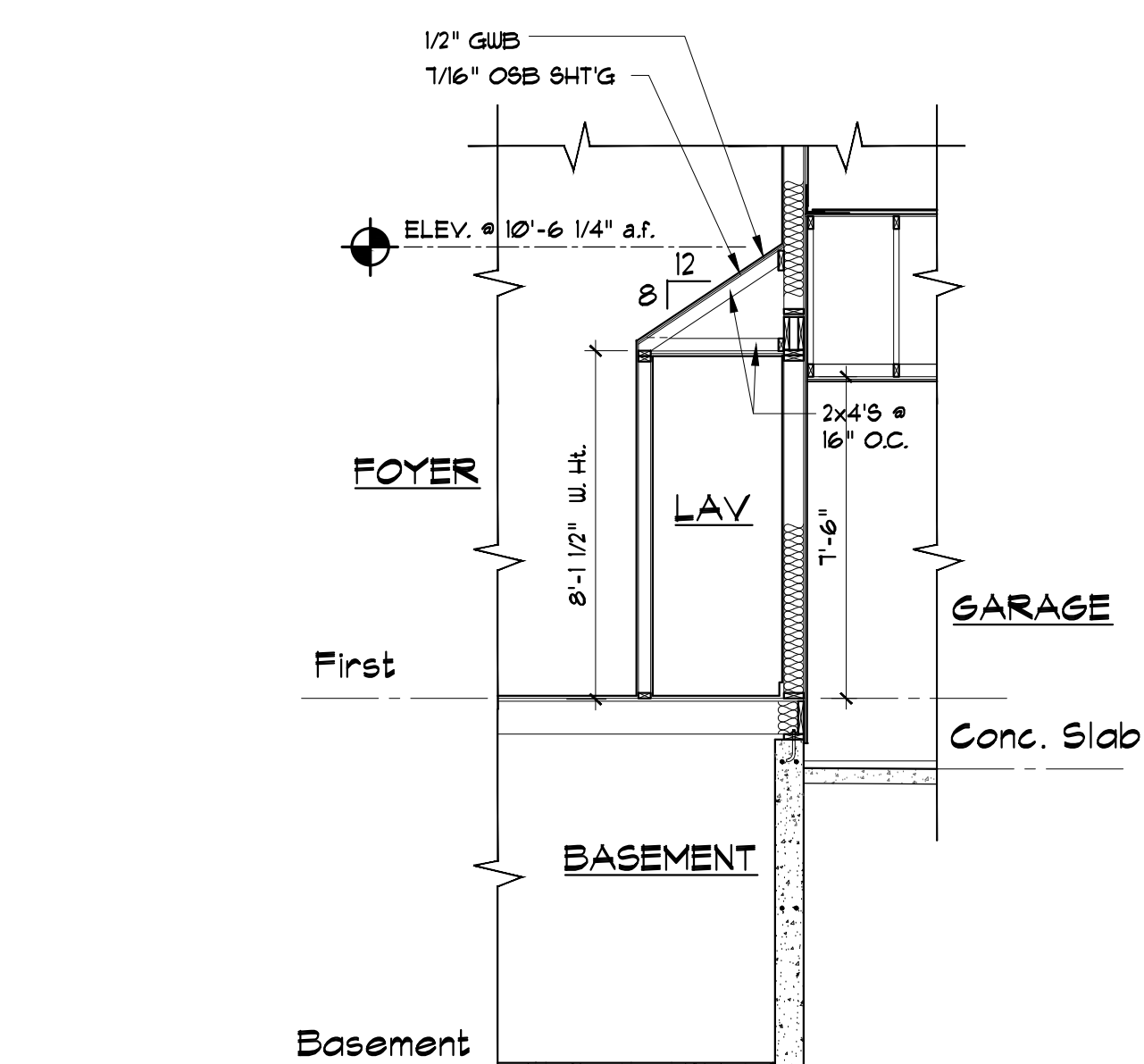
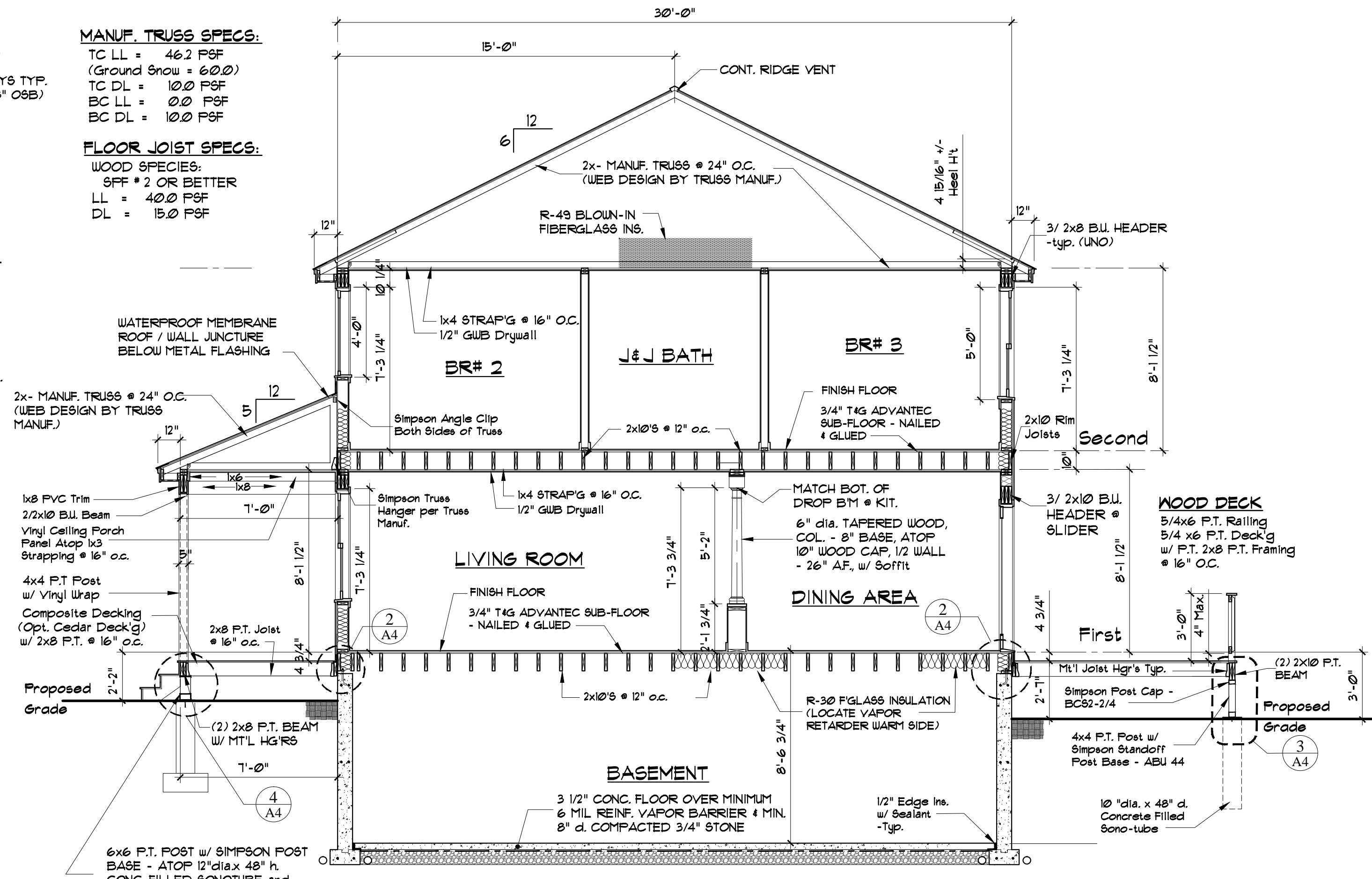
ROOF SPECS:
ARCHITECTURAL ASPHALT SHINGLES
15' FELT PAPER / MIN. 3/8" WIDE
UNDERLAYMENT @ EAVES & VALLEYS TYP.
5/8" CDX PLYWOOD (OPTIONAL 5/8" OSB)
ROOF SHEATHING w/CLIPS
"PROPERVENT" AIR BAFFLE - TYP.
2x4 MANUF. TRUSS @ 24" O.C.
H25 HURRICANE ANCHORS - TYP.

SOFFIT DETAIL (TYP.)
1x3 / 1x8 FASCIA w/ MTL WRAP
METAL DRIP EDGE
2x8 BEVELED SUB-FASCIA
2x4 SKELETON @ 24" o.c.
1/2" INSULATION STOP
AIR BAFFLE - SIM. TO PROP-A-VENT
1/2" CONT. VENTED VINYL SOFFIT

EXTERIOR WALL (TYP.)
4" T.W. - VINYL SIDING (UNO)
AIR BARRIER - SIM. TO TYVEK
7/16" OSB WALL SHEATHING
2x6 STUD WALL @ 16" O.C.
R-21 FIBERGLASS BATT INSULATION
VAPOR RETARDER
1/2" GUB DRYWALL

MANUF. TRUSS SPECS:
TC LL = 46.2 P#F
(Ground Snow = 60.0)
TC DL = 10.0 P#F
BC LL = 0.0 P#F
BC DL = 10.0 P#F

FLOOR JOIST SPECS:
WOOD SPECIES:
SFF # 2 OR BETTER
LL = 40.0 P#F
DL = 15.0 P#F



DIDONATO ARCHITECTS
Commercial - Residential

134 Guinea Road Kennebunkport, ME 04046
P: 207-286-2900 F: 207-286-2900
E: Mail: didonato@roadrunner.com
www.didonatoarchitects.com

NO.	DATE	REVISION DESCRIPTION
1	01/02/15	ADD DETAIL PUELLING GARAGE SEPARATION, ADD ROOF TRUSS AND FLOOR JOIST SPECIFICATIONS

Lot # 11 SKYLARK COMMONS
COLONIAL DESIGN
w/ First Flr Master Suite

FRANK & SANTO DIDONATO
89 Skyark Road
Portland, MAINE

DRAWINGS THIS SHEET

BUILDING SECTIONS

DATE: -
REVISION DATE: -
DRAWN BY: JFD

SHEET:
A4

- OF -

FOR CONSTRUCTION_07-14-15

© COPYRIGHT REPRODUCTION OR RESALE OF THIS DOCUMENT WITHOUT WRITTEN PERMISSION OF DIDONATO ARCHITECTS IS PROHIBITED