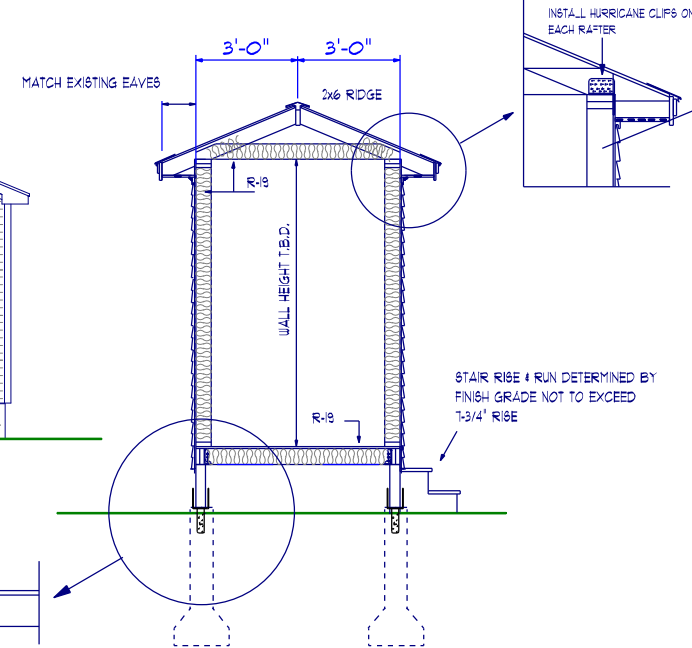




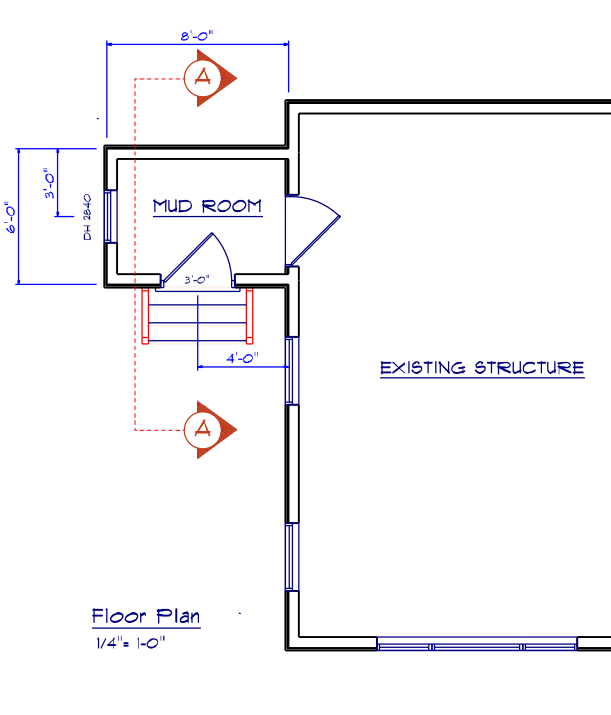
Front Elevation
1/4" = 1'-0"



Left Elevation



Section "A"
3/8" = 1'-0"



Floor Plan
1/4" = 1'-0"

ROOF SYSTEM:

- ASPHALT SHINGLES
- DRIPEDGE @ EAVES & RAKE
- ICE & WATER EAVE PROTECTION @ EAVES
- 5/8 CDX PLYWOOD ROOF SHEATHING
- 2x6 RAFTERS / 2x6 TIES @ 16"oc.

FLOOR SYSTEM:

- 3/4" T&G ADVANTECH SUB-FLOORING
- 2x6 JOIST @ 16" OC.
- 4x4 P.T. POST ON EXISTING CONC. PIERS.

EXTERIOR WALLS:

- VINYL SIDING
- 1/2" OSB SHEATHING
- 2x6 STUDS @ 16"OC
- 6" R-19 INSULATION
- 1/2" DRYWALL WALLS & CEILING



WAYNE PARADIS



Custom Design
Service
Tel: 892-3424
Cell: 229-7641

wparadis13@twc.com
http://wayneparadis.net/index.html

Replace Existing Porch

Plan For:
Carol Pelletier
68 Hennessey St.
Portland, Maine 04103

Drawn by: Wayne Paradis

1
1

Mar. 19, 2011