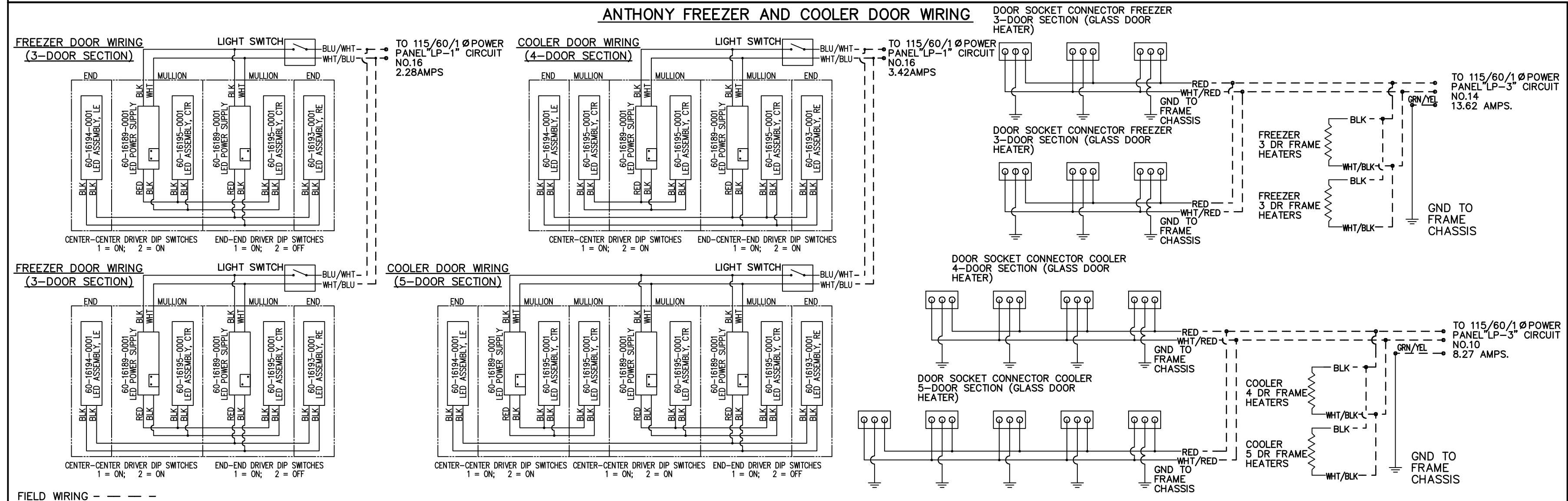
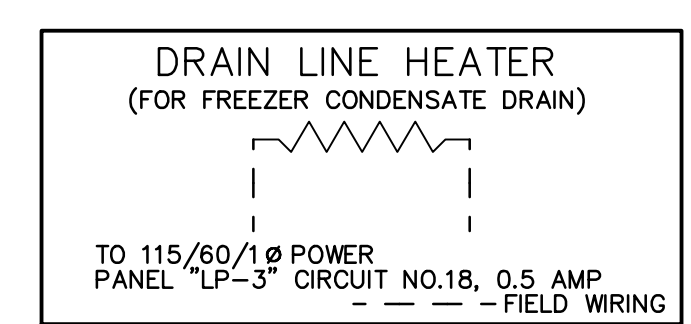
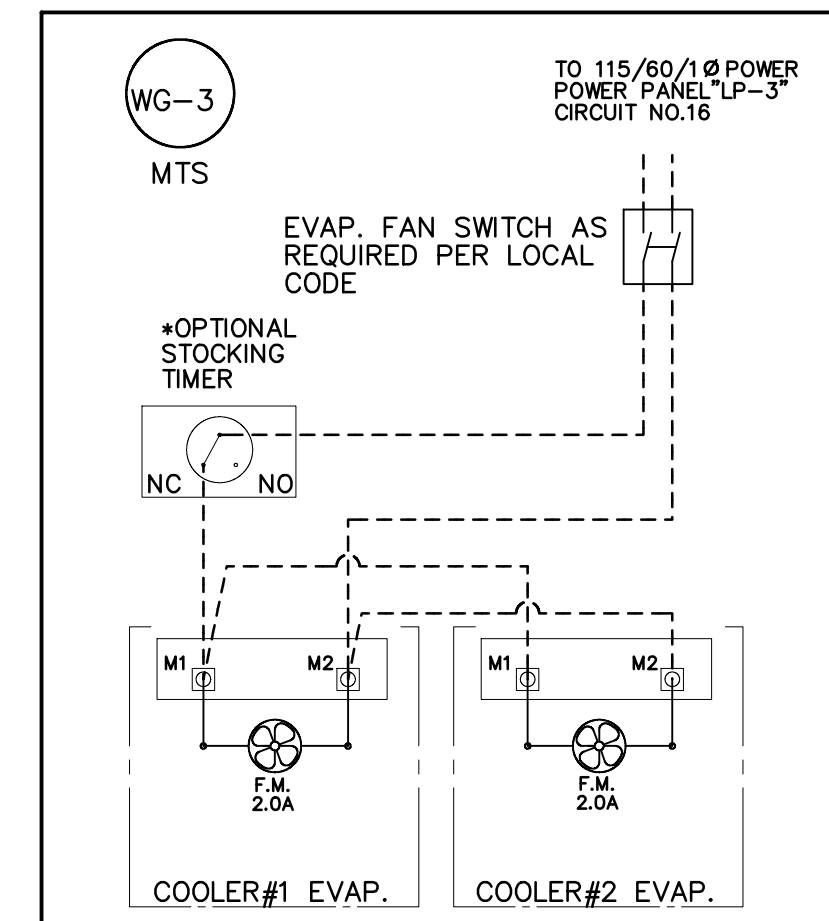
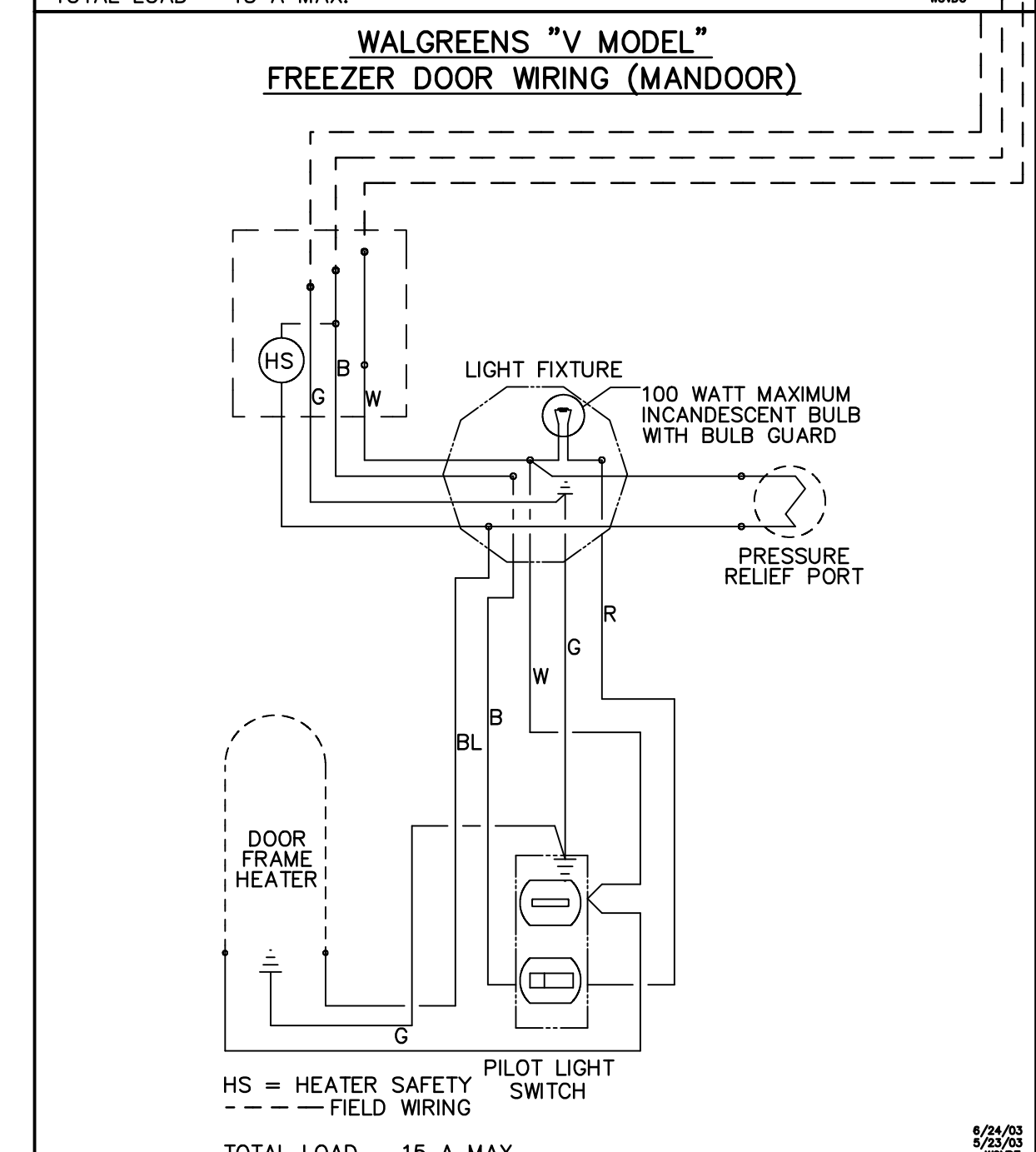
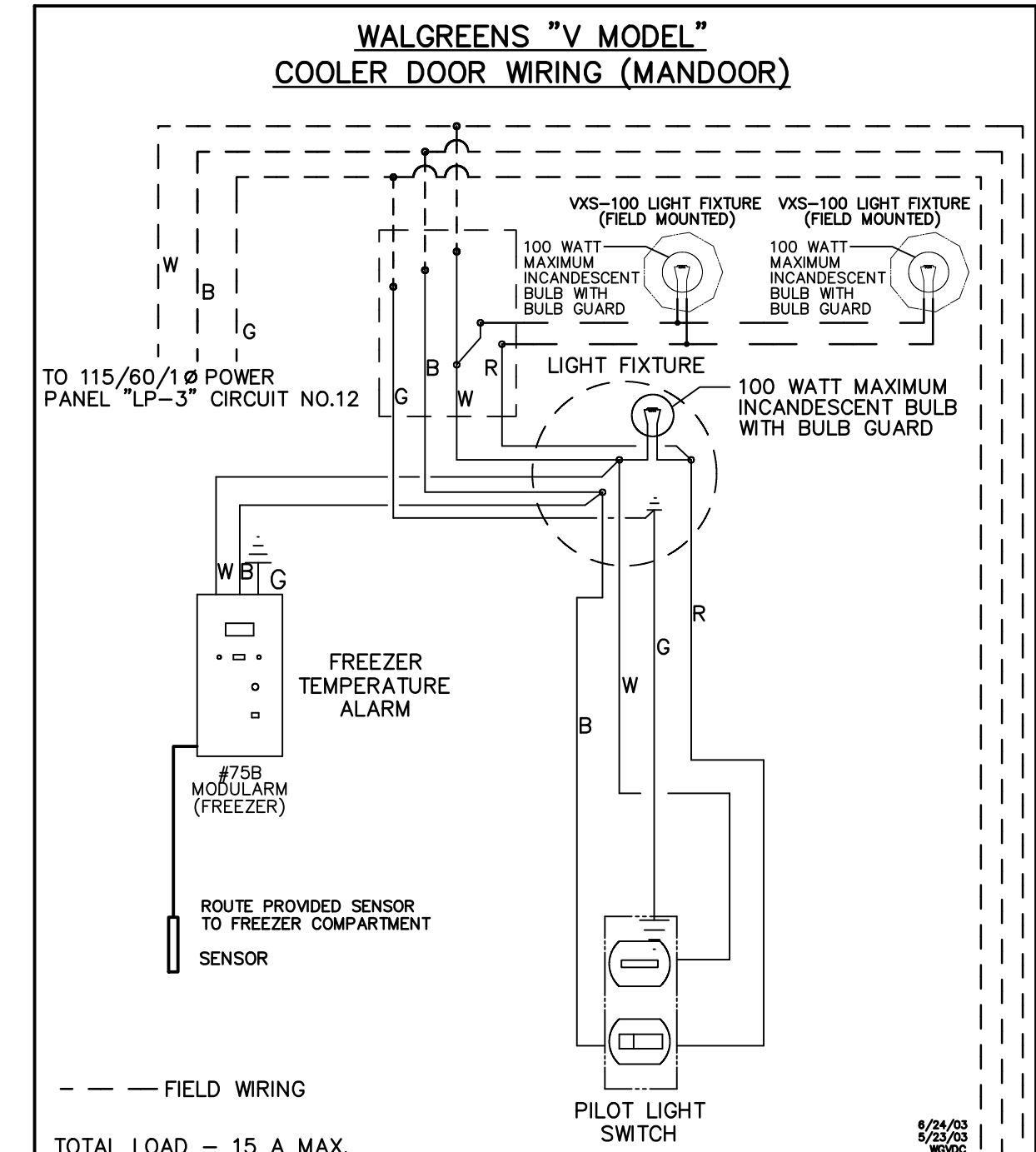
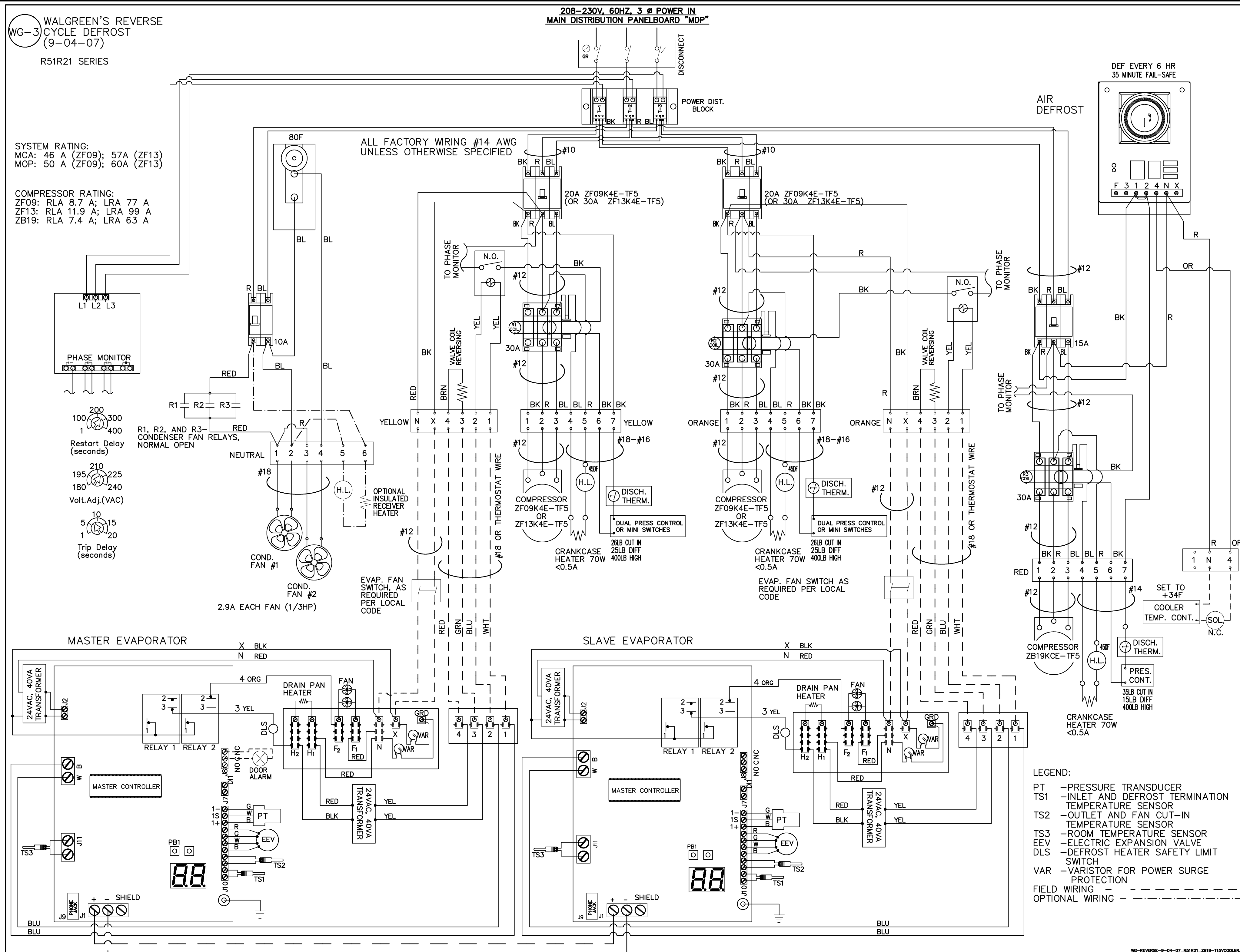


WALGREEN'S REVERSE
CYCLE DEFROST
(9-04-07)

R51R21 SERIES

SYSTEM RATING:
MCA: 46 A (ZF09); 57A (ZF13)
MOP: 50 A (ZF09); 60A (ZF13)

COMPRESSOR RATING:
ZF09: RLA 8.7 A; LRA 77 A
ZF13: RLA 11.9 A; LRA 99 A
ZB19: RLA 7.4 A; LRA 63 A



MOESER & ASSOCIATES
206 AYER ROAD HARVARD, MA 978-456-6905
ARCHITECT

DRAWINGS/SPECIFICATIONS BY:
 WALGREENS'
 LANDLORD'S CONSULTANT
 ALL CONSTRUCTION WORK, UNLESS NOTED OTHERWISE, BY:
 WALGREENS' CONTRACTOR
 LANDLORD'S CONTRACTOR (TURNKEY CONSTRUCTION)

STORE	BUILDING
NEW <input checked="" type="checkbox"/>	NEW <input checked="" type="checkbox"/>
REMODELING <input type="checkbox"/>	EXISTING <input type="checkbox"/>
RELOCATION <input type="checkbox"/>	NEW SHELL ONLY <input type="checkbox"/>
OTHERS <input type="checkbox"/>	

NO.	DATE	BY	DESCRIPTION	CONST
REVISIONS				
CERTIFICATION AND SEAL				
I HEREBY CERTIFY THAT THIS PLAN AND SPECIFICATION WAS PREPARED BY ME OR UNDER MY DIRECT SUPERVISION AND THAT I AM A DULY REGISTERED ARCHITECT OR ENGINEER UNDER THE LAWS OF THE STATE OF MAINE AS SIGNIFIED BY MY HAND AND SEAL.				
FISCAL 2007 CRITERIA - STORE #12326				
WALGREENS (NWC) WASHINGTON & ALLEN AVES. PORTLAND, MAINE				
DRAWING TITLE				
COOLER/FREEZER WIRING DIAGRAMS (WG-3)				
CADD PLOT:	SCALE: AS NOTED	DRAWING NO.		
VOID PLOT:	DRAWN BY: TD	E4.5		
RELEASED TO CONSTRUCTION	DATE: 3-26-09			
	REVIEWED BY: SAM			