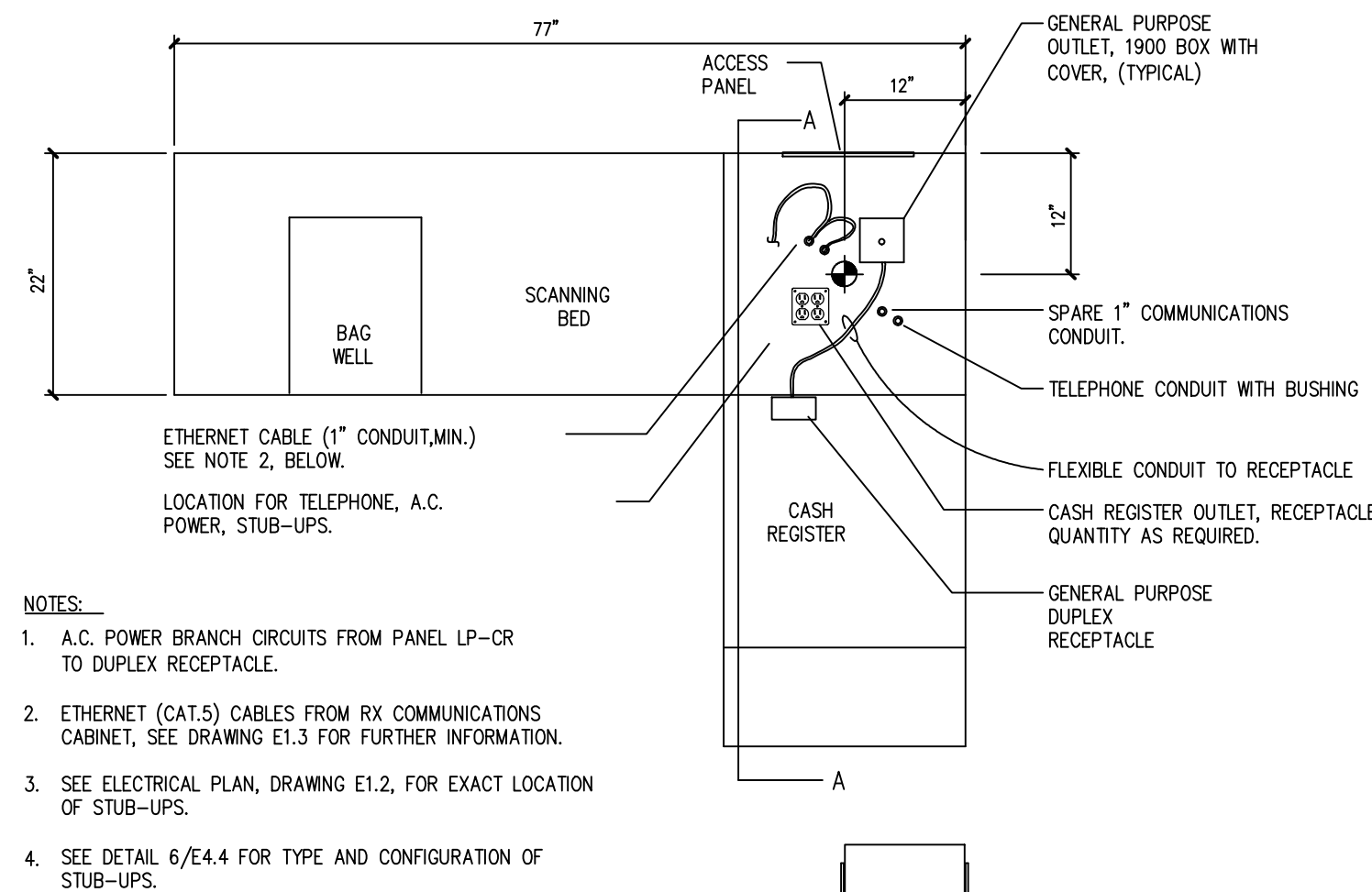
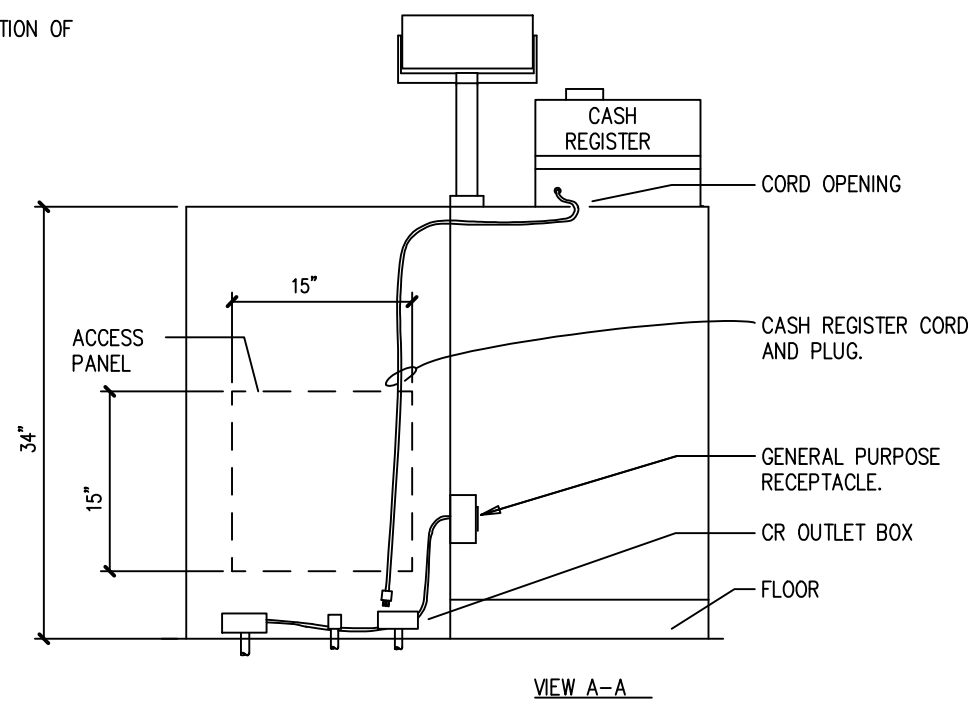


SCANNING CASH REGISTER STAND

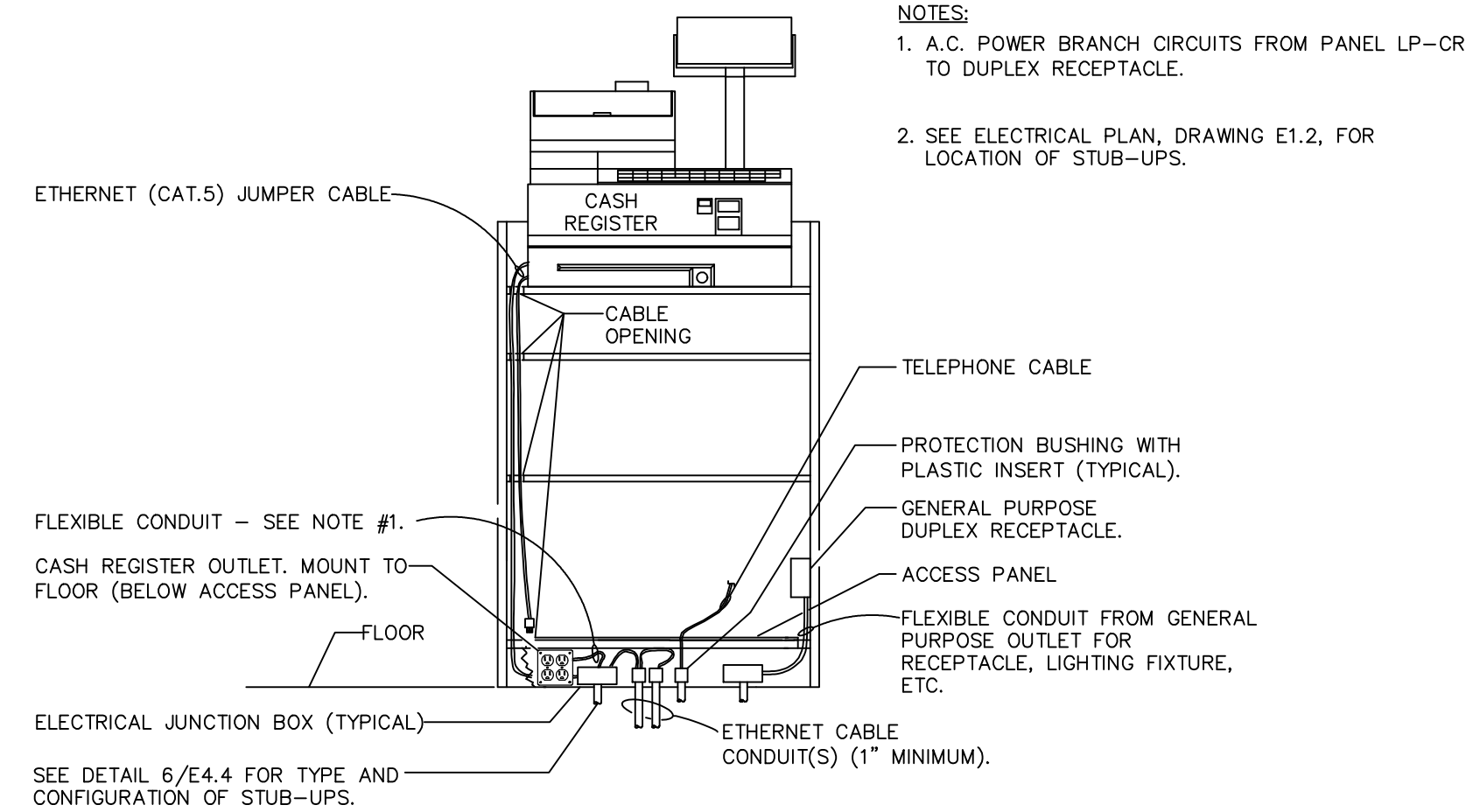


- NOTES:
1. A.C. POWER BRANCH CIRCUITS FROM PANEL LP-CR TO DUPLEX RECEPTACLE.
  2. ETHERNET (CAT.5) CABLES FROM RX COMMUNICATIONS CABINET, SEE DRAWING E1.3 FOR FURTHER INFORMATION.
  3. SEE ELECTRICAL PLAN, DRAWING E1.2, FOR EXACT LOCATION OF STUB-UPS.
  4. SEE DETAIL 6/E4.4 FOR TYPE AND CONFIGURATION OF STUB-UPS.



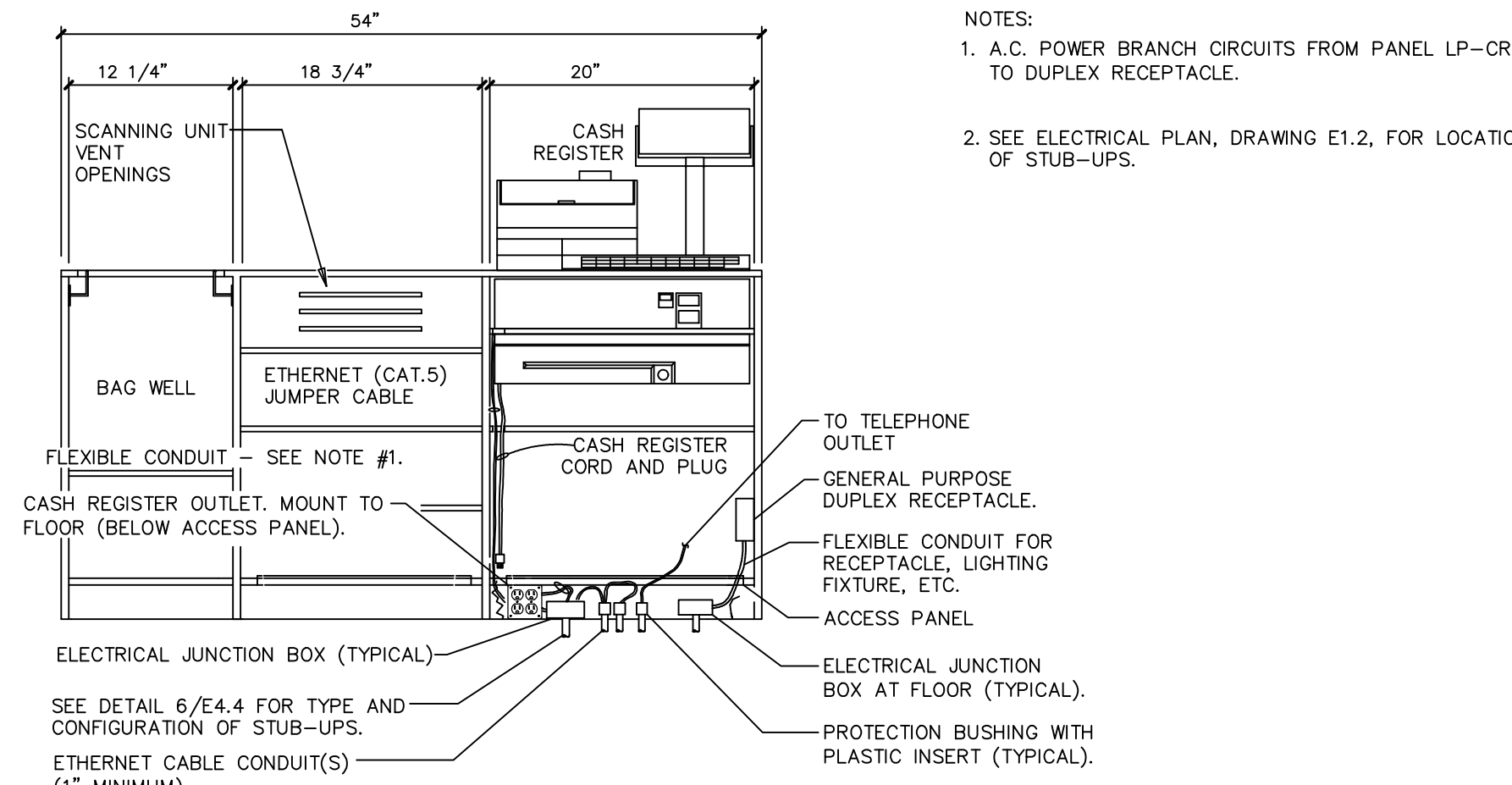
1  
E4.4

STANDARD CASH REGISTER STAND ELEVATION



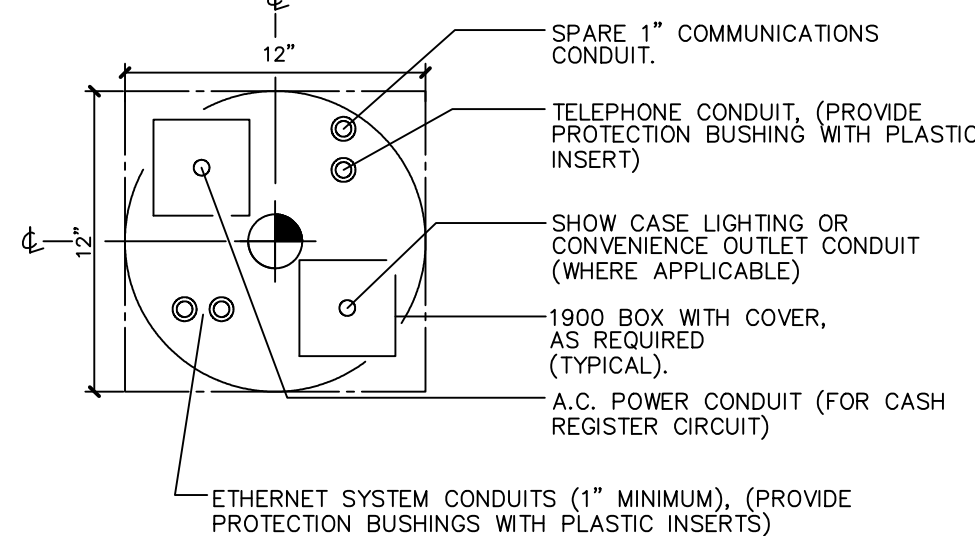
- NOTES:
1. A.C. POWER BRANCH CIRCUITS FROM PANEL LP-CR TO DUPLEX RECEPTACLE.
  2. SEE ELECTRICAL PLAN, DRAWING E1.2, FOR LOCATION OF STUB-UPS.

IN-LINE SCANNING CASH REGISTER STAND ELEVATION



- NOTES:
1. A.C. POWER BRANCH CIRCUITS FROM PANEL LP-CR TO DUPLEX RECEPTACLE.
  2. SEE ELECTRICAL PLAN, DRAWING E1.2, FOR LOCATION OF STUB-UPS.

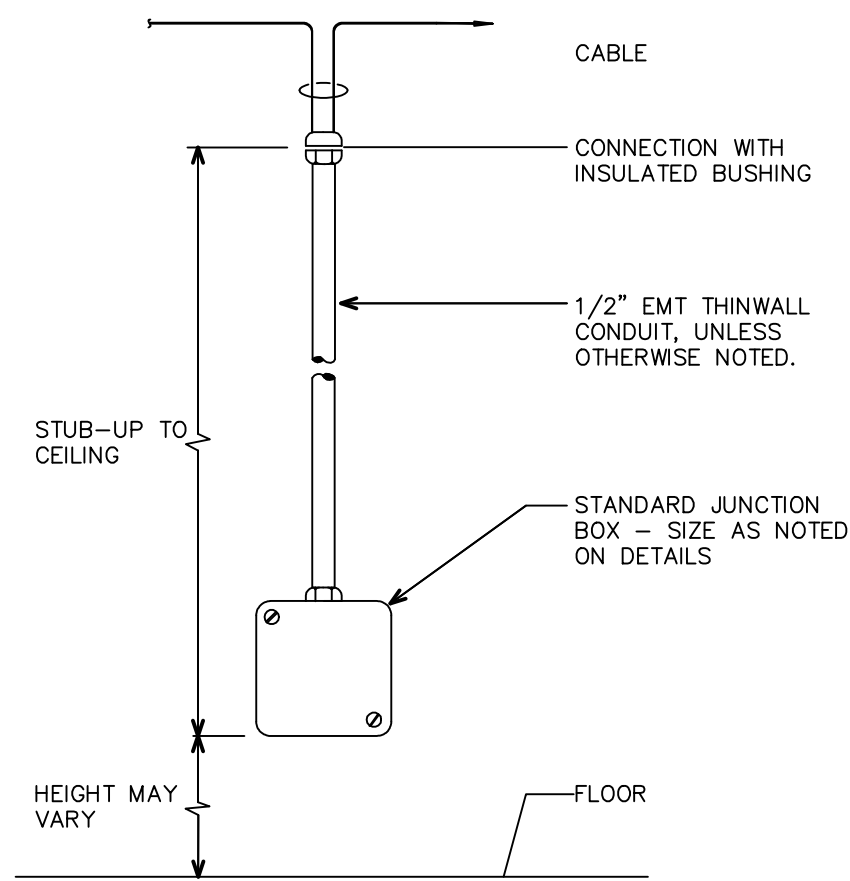
CONDUIT STUB-UP CONFIGURATION FOR CASH REGISTER STAND



- NOTES:
1. THIS IS A GENERIC DETAIL OF THE CONDUIT STUB-UP SYSTEM. VERIFY TYPE OF CASH REGISTER STAND, SEE DETAILS 1/E4.4, 4/E4.4 & 5/E4.4 FOR LOCATION OF STUB-UP IN RELATION TO THE TYPE OF CASH REGISTER STAND INVOLVED.
  2. FOR EXACT LOCATION OF ELECTRICAL OUTLETS ASSOCIATED WITH CASE WORK (CASH REGISTER LOCATIONS), SEE ELECTRICAL PLAN E1.2.

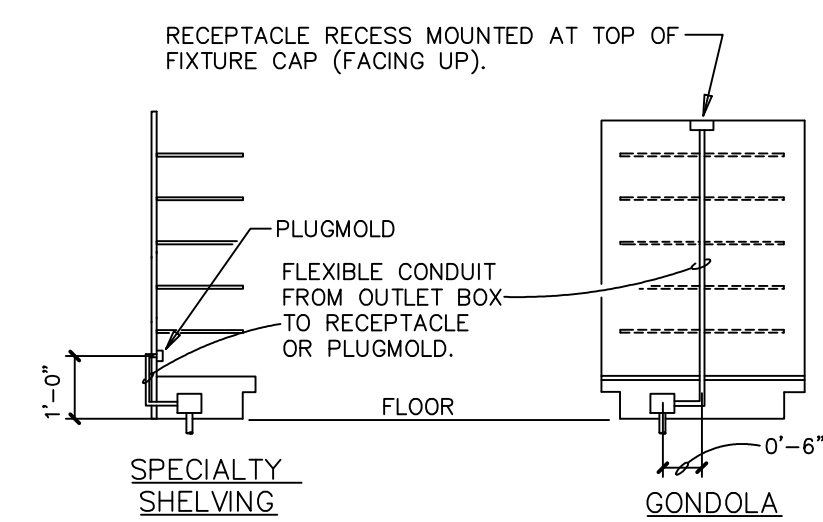
6  
E4.4

EQUIPMENT CONNECTION STUB-UP ELEVATION



7  
E4.4

GONDOLA AND SPECIALTY SHELVING PLUGMOLD AND RECEPTACLE DETAIL



- NOTES:
1. ALL PLUGMOLDS TO BE WIREMOLD CO. CAT. # 206B306 (3'-0" LONG) OR 206B512 (5'-0" LONG) (OR PLUGTRAK EQUAL) PROVIDE SLOW FOR EACH 5'-0" LENGTH OR SEE ELECTRICAL PLAN E1.2. PLUGMOLDS FURNISHED AND INSTALLED BY CONTRACTOR.
  2. FLOOR OUTLETS FURNISHED AND INSTALLED BY CONTRACTOR.
  3. RECEPTACLES FURNISHED AND INSTALLED BY CONTRACTOR.

8  
E4.4

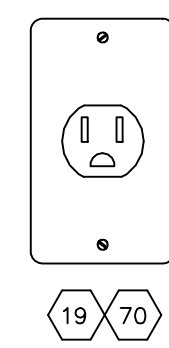
DRIVE ALARM SENSOR SECTION

NOTE:  
IN STORES WITH SINGLE DRIVE THRU LANE, FURNISH AND INSTALL SENSOR IN THE WALL INSIDE THE PHARMACY 6" ABOVE FINISHED FLOOR.

16  
E4.4

TIME/ATTENDANCE AND ATM RECEPTACLE

MANUFACTURER: HUBBELL (NO SUBSTITUTION)  
 CATALOG NUMBER: HBL5261  
 SERVICES: (KRONOS) ELECTRONIC TIME CLOCK - LOCATED OUTSIDE OF EMPLOYEE ROOM.  
 AUTOMATED TELLER MACHINE (ATM) - LOCATED BY FRONT CASH REGISTERS.

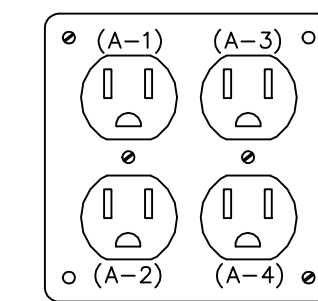


SERVICE FROM: LP-CR PANEL

9  
E4.4

PHARMACY TERMINAL RECEPTACLES

MANUFACTURER: HUBBELL PASS & SEYMOUR  
 CATALOG NUMBER: HBL5252 5262A  
 SERVICES: (A-1) PC BASE  
 (A-2) MONITOR  
 (A-3) FUTURE  
 (A-4) FUTURE



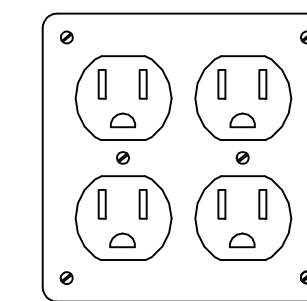
(PROVIDE 2-GANG BOX WITH COVER)

SERVICE FROM: LP-CR PANEL

10  
E4.4

CASH REGISTER RECEPTACLES

MANUFACTURER: HUBBELL (NO SUBSTITUTION)  
 CATALOG NUMBER: HBL5252  
 SERVICES: CASH REGISTER SCANNER



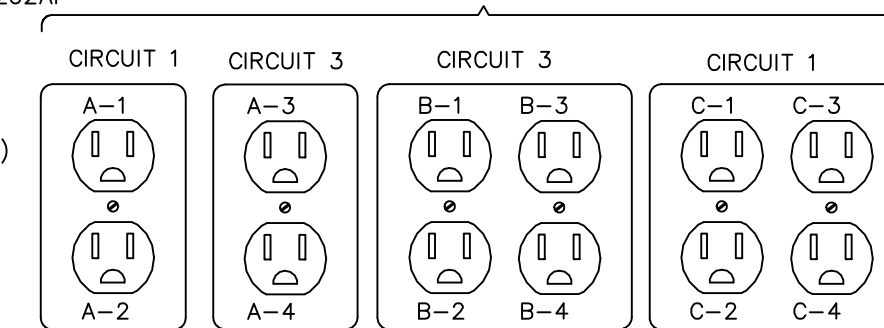
NOTE: REFER TO DETAILS 6, 7, & 10 / E4.3 FOR EXACT QUANTITY OF RECEPTACLES FOR SPECIFIC CASH REGISTER STAND.

SERVICE FROM: LP-CR PANEL

11  
E4.4

OFFICE SYSTEM EQUIPMENT RECEPTACLES

MANUFACTURER: HUBBELL PASS & SEYMOUR LEVITON  
 CATALOG NUMBER: HBL5252 5262A 5262AI  
 SERVICES: (A-1) MONITOR (A-2) MISCELLANEOUS (A-3) STORE CONTROLLER (A-4) MISCELLANEOUS (B-1) AS400 MONITOR (B-2) AXIS (NETWORK PRINT SERVER) (B-3) MISCELLANEOUS (B-4) MISCELLANEOUS (C-1) OFFICE PC (C-2) OFFICE MONITOR (C-3) MISCELLANEOUS (C-4) LED SIGN CONTROLLER

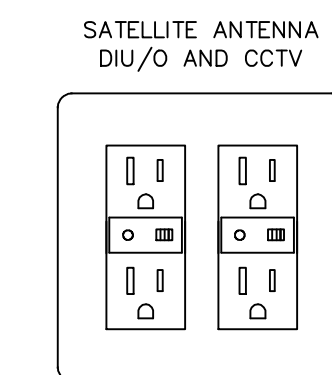


SERVICE FROM: LP-CR PANEL

12  
E4.4

TVSS RECEPTACLES

MANUFACTURER: PASS & SEYMOUR (NO SUBSTITUTIONS)  
 CATALOG NUMBER: 8200-SP (DUPEX TVSS RECEPTACLE)  
 SERVICES: SATELLITE ANTENNA - DIU/O (DOUBLE DUPLEX RECEPTACLE)



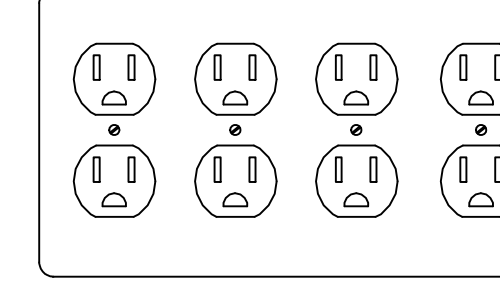
(LOCATED IN RX COMMUNICATION CABINET AND TECH CABINET)

SERVICE FROM: LP-CR PANEL

13  
E4.4

BURGLAR ALARM/TELEPHONE/SOUND SYSTEM RECEPTACLES

MANUFACTURER: HUBBELL PASS & SEYMOUR  
 CATALOG NUMBER: HBL5252 5262A  
 SERVICES: TELEPHONE TERMINAL BOARD  
 BURGLAR ALARM CONTROL PANEL  
 SPARE SOUND SYSTEM



(LOCATED AT TELEPHONE TERMINAL BOARD)

SERVICE FROM: LP-CR PANEL

14  
E4.4

NOTES  
 1 - SYMBOL WITH NUMBER DESIGNATION CORRESPONDS TO POWER KEYED NOTES REFERENCED ON DRAWING E1.2.

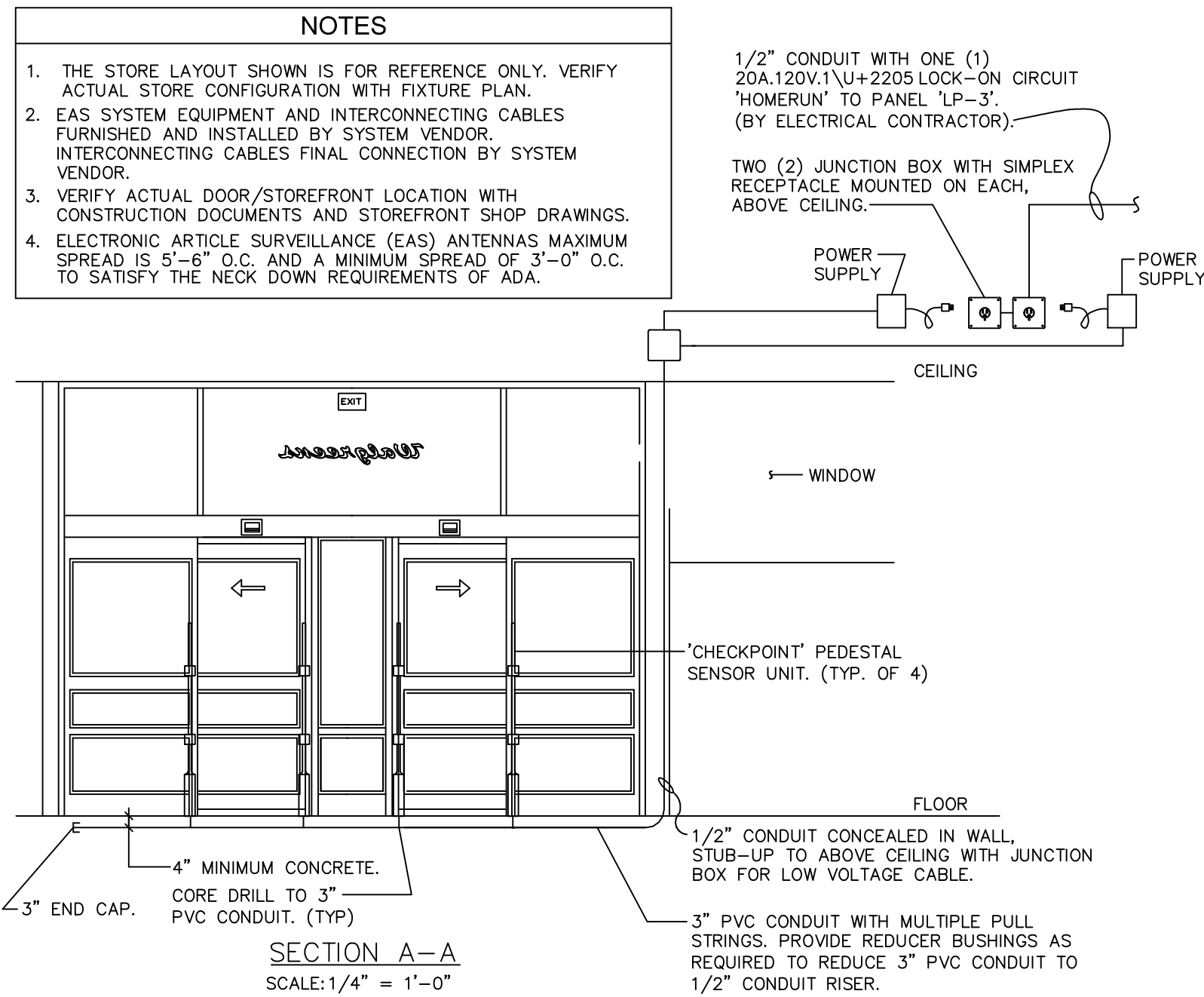
MOESER & ASSOCIATES ARCHITECT

DRAWINGS/SPECIFICATIONS BY:

- WALGREENS'
- LANDLORD'S CONSULTANT
- ALL CONSTRUCTION WORK, UNLESS NOTED OTHERWISE, BY:
- WALGREENS' CONTRACTOR
- LANDLORD'S CONTRACTOR (TURNKEY CONSTRUCTION)

STORE	BUILDING
NEW <input checked="" type="checkbox"/>	NEW <input checked="" type="checkbox"/>
REMODELING <input type="checkbox"/>	EXISTING <input type="checkbox"/>
RELOCATION <input type="checkbox"/>	NEW SHELL ONLY <input type="checkbox"/>
OTHERS <input type="checkbox"/>	

ELECTRONIC ARTICLE SURVEILLANCE (EAS) SYSTEM



- NOTES
1. THE STORE LAYOUT SHOWN IS FOR REFERENCE ONLY. VERIFY ACTUAL STORE CONFIGURATION WITH FIXTURE PLAN.
  2. EAS SYSTEM EQUIPMENT AND INTERCONNECTING CABLES FURNISHED AND INSTALLED BY SYSTEM VENDOR. INTERCONNECTING CABLES FINAL CONNECTION BY SYSTEM VENDOR.
  3. VERIFY ACTUAL DOOR/STOREFRONT LOCATION WITH CONSTRUCTION DOCUMENTS AND STOREFRONT SHOP DRAWINGS.
  4. ELECTRONIC ARTICLE SURVEILLANCE (EAS) ANTENNAS MAXIMUM SPREAD IS 5'-6" O.C. AND A MINIMUM SPREAD OF 3'-0" O.C. TO SATISFY THE NECK DOWN REQUIREMENTS OF ADA.

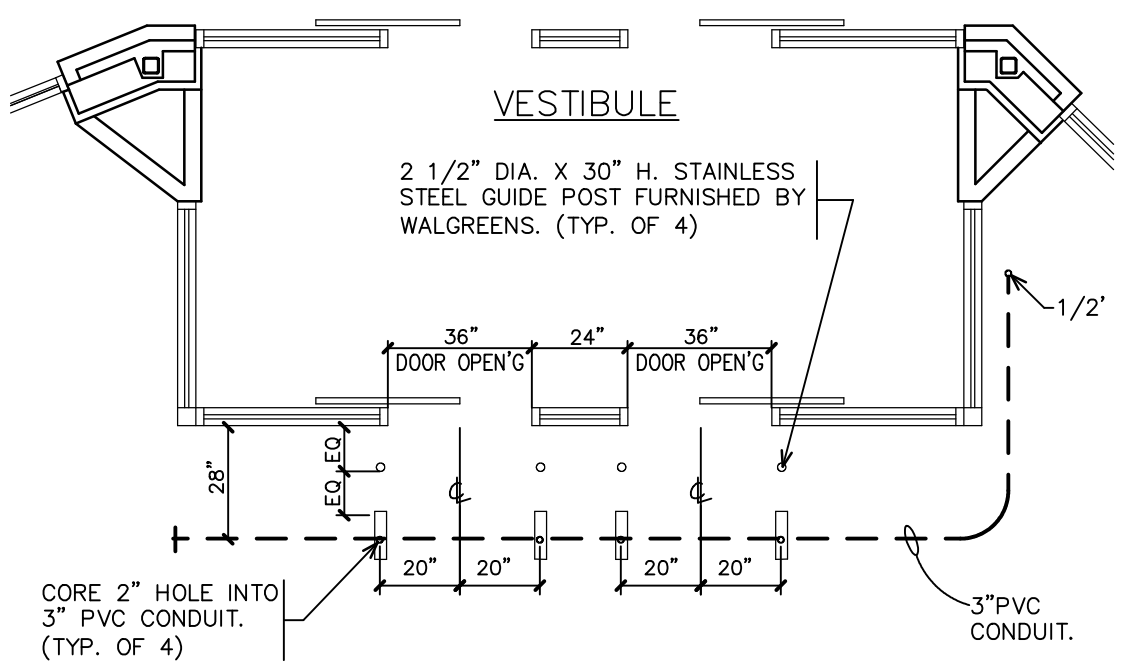
1/2" CONDUIT WITH ONE (1) 20A, 120V, 1P+2205 LOCK-ON CIRCUIT "HOMERUN" TO PANEL LP-3" (BY ELECTRICAL CONTRACTOR).

TWO (2) JUNCTION BOX WITH SIMPLEX RECEPTACLE MOUNTED ON EACH, ABOVE CEILING.

SECTION A-A  
 SCALE: 1/4" = 1'-0"

2  
E4.4

PLAN VIEW / ENTRANCE



SCALE: 1/4" = 1'-0"