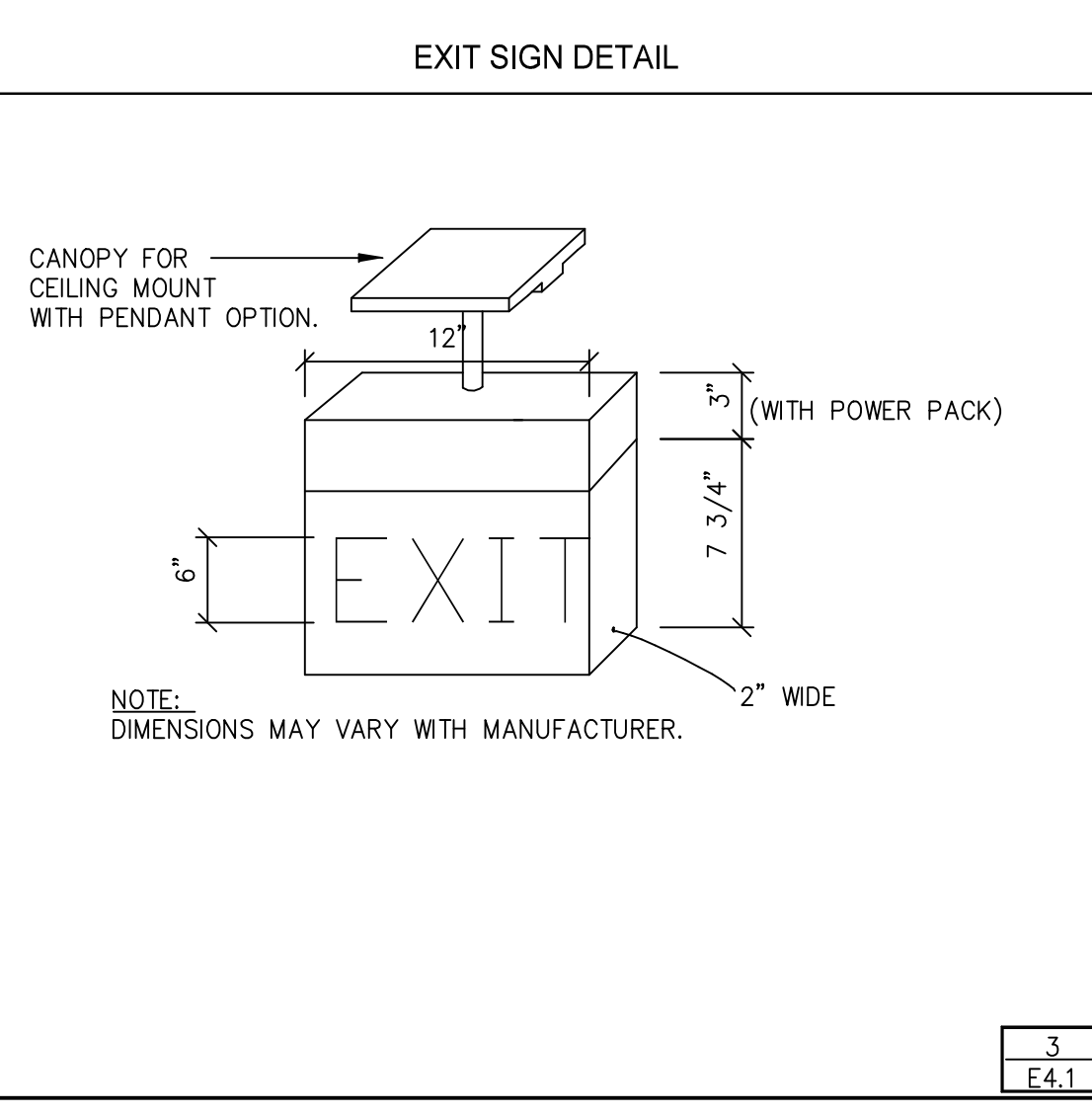
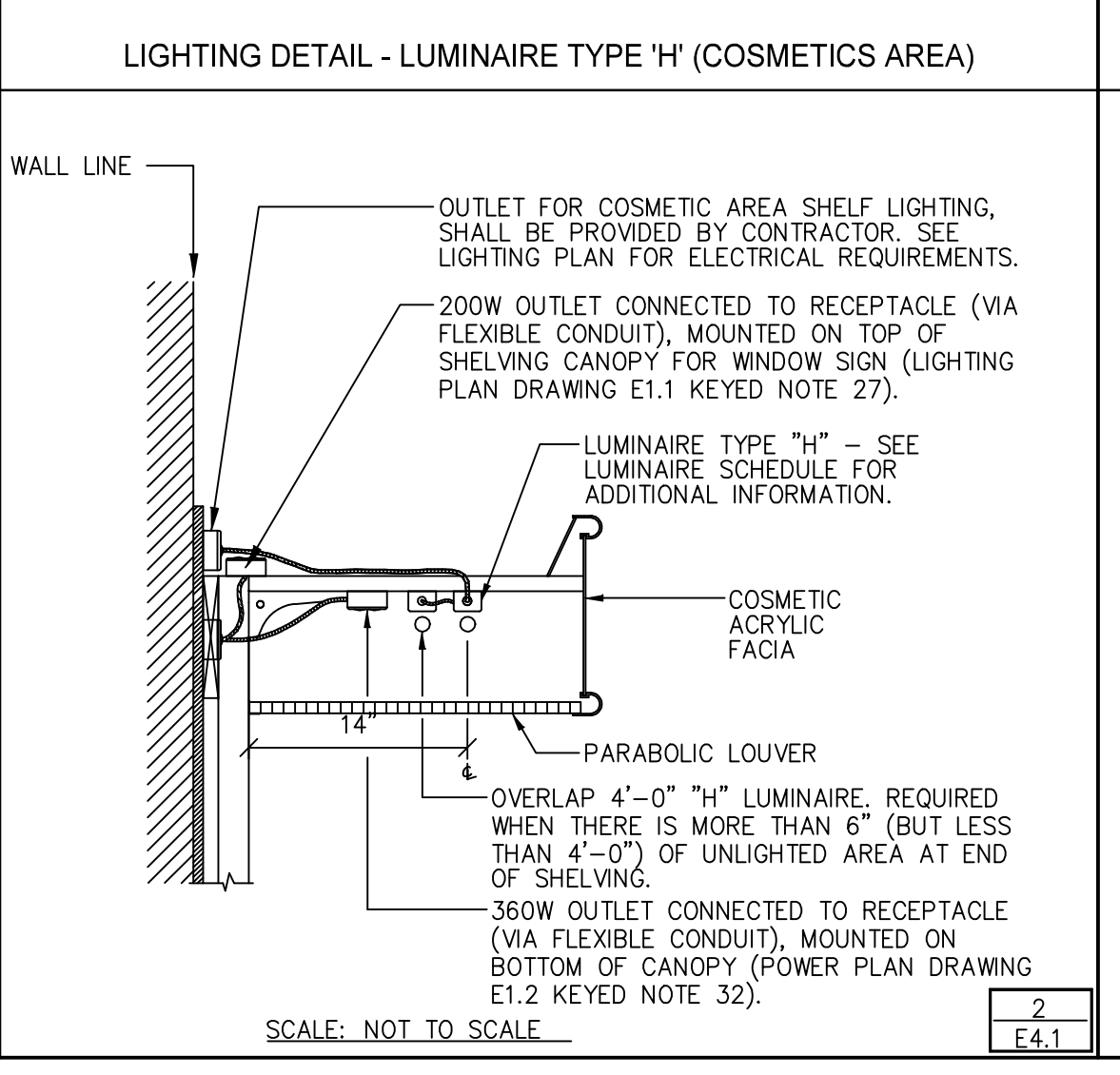
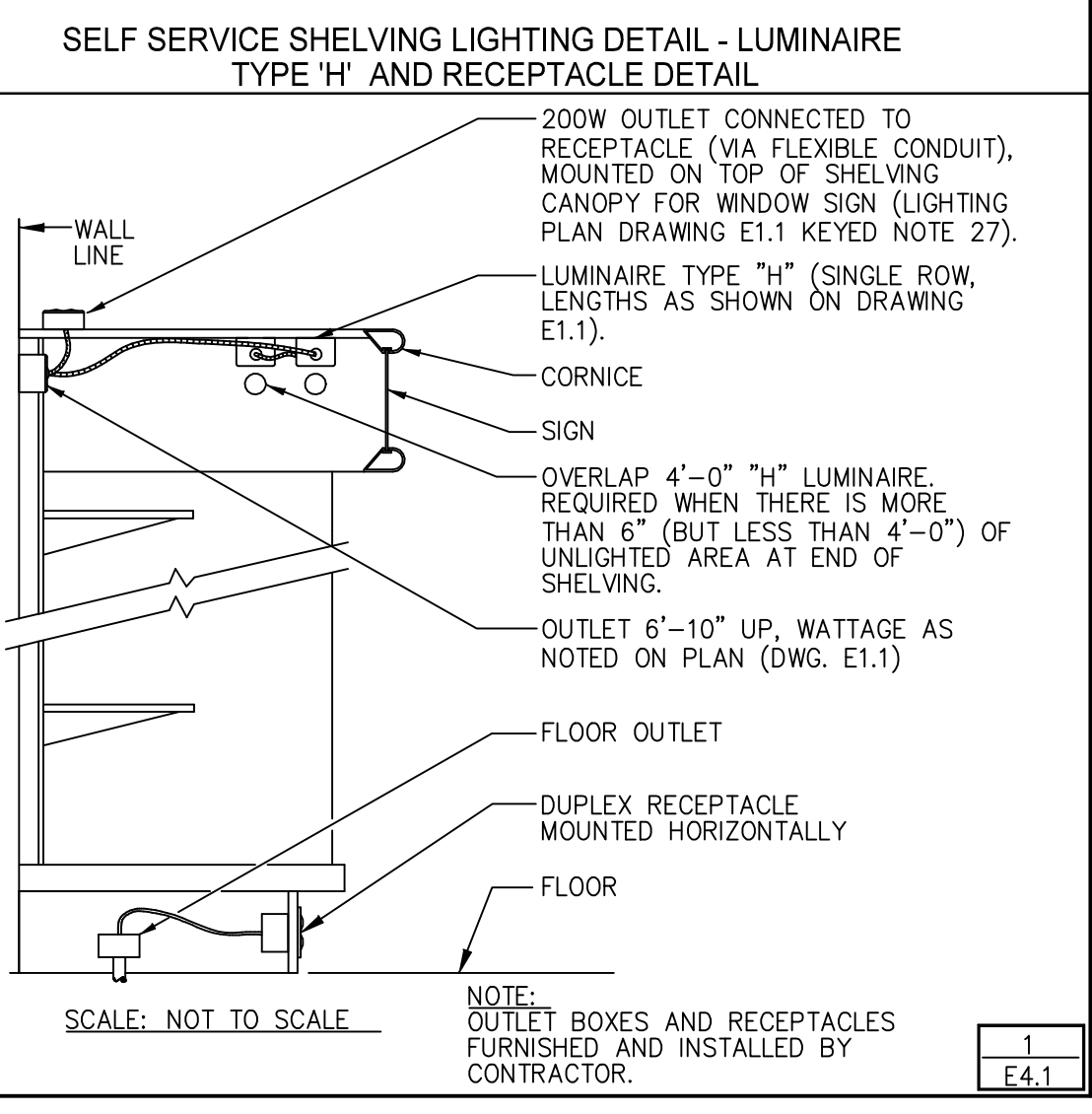


DRAWINGS/SPECIFICATIONS BY:
 WALGREENS'
 LANDLORD'S CONSULTANT

ALL CONSTRUCTION WORK, UNLESS NOTED OTHERWISE, BY:
 WALGREENS' CONTRACTOR
 LANDLORD'S CONTRACTOR (TURNKEY CONSTRUCTION)

STORE	BUILDING
NEW <input type="checkbox"/>	NEW <input checked="" type="checkbox"/>
REMODELING <input type="checkbox"/>	EXISTING <input type="checkbox"/>
RELOCATION <input type="checkbox"/>	NEW SHELL ONLY <input type="checkbox"/>
OTHERS <input type="checkbox"/>	



LUMINAIRE SCHEDULE							
LUMINAIRE TYPE	CATALOG NUMBER	MANUFACTURER	LAMPS (SEE NOTE 3 BELOW)	MOUNTING	VOLTAGE	BALLAST (N/A) WATTAGE	REMARKS
A	W8TRCG-232-UNV-AD-10P4P32SC	METALUX	4-GE#2818/SP35/UMX/ECO WITH ADVANCE BALLAST # 10P4P32SC	RECESSED		95	
B	WRCG-232-UNV-AD-10P2P32SC	METALUX	2-GE#2818/SP35/UMX/ECO WITH ADVANCE BALLAST # 10P2P32SC	RECESSED		48	
D	WC-232-UNV-AD-10P2P32SC	METALUX	2-GE#2818/SP35/UMX/ECO WITH ADVANCE BALLAST # 10P2P32SC	BOTTOM OF JOISTS OR CEILING		48	LUMINAIRE TO BE MOUNTED 14'-0" A.F.F., UNLESS NOTED OTHERWISE. DO NOT ATTACH TO THE ROOF METAL DECK. ATTACH FROM ROOF SUPPORT.
E	WCHX-403C (CHICAGO)	SURE-LITES	2-5W PL LAMPS	CEILING OR WALL MOUNT			SEE DETAIL 3/E4.1.
	WSLX-70-RWH	SURE-LITES	LED				SEE DETAIL 3/E4.1.
G	W2GR8-332A-UNV-AD-10P3P32SC	METALUX	3-GE#2818/SP35/UMX/ECO WITH ADVANCE BALLAST # 10P3P32SC	RECESSED		72	
H	WSN-132-UNV-AD-10P1P32SC	METALUX	GE#2818/SP35/UMX/ECO WITH ADVANCE BALLAST # 10P1P32SC	CORNICE		25	SEE LIGHTING PLAN FOR TOTAL LENGTH REQUIRED, INCLUDE GLASS TOWER.
J	VFM-K-150-MH-120-WF-VR	MCGRAW-EDISON	GE#MH150	CONDUIT STUB IN CONCRETE BASE AT GRND.			GROUND MOUNTED LUMINAIRE TO ILLUMINATE MONUMENT SIGN.
K	WBC-132-UNV-AD-10P1P32SC	METALUX	GE#2818/SP35/UMX/ECO WITH ADVANCE BALLAST # 10P1P32SC	CEILING MOUNT		25	PORTER CLOSET
L	WPDE-V142E-6VWB	PORTFOLIO	GE#260BXSPX354P	RECESSED		26	PHARMACY PATIENT SEATING AREA
Q	WMHP-S-100-MT	LUMARK	GE#MXR100/U/MED	SURFACE		129	UNDER AWNING, DRIVE-THRU WINDOW AND COMPACTOR AREA. SEE NOTE 8
S	WHDR-100M-120-DGL 99-295	FAIL-SAFE KENALL	GE#MXR100/U/MED	RECESSED		129	EXTERIOR. SEE NOTE 8.
	NOT USED	-	-	-	-	-	
W	WMHFS-50-120V-AD-RBC-FOS	LUMARK	GE#MXR50/U/MED	SURFACE		69	FACADE ACCENT FIXTURE. (MOUNT ON TOP OF AWNING) SEE NOTE 8. FIXTURE HOUSING TO MATCH AWNING COLOR. WALGREENS PROTOTYPICAL STANDARD AWNING COLOR-ATAS KYNAR 500 FOREST GREEN. ALTERNATE AWNING COLOR AVAILABLE FROM MANUFACTURER. (UTILIZE ONLY WITH AWNING ELEVATIONS)
D-1	WC-232-UNV-AD-10P2S32SC	METALUX	2-GE#2818/SP35/UMX/ECO WITH ADVANCE BALLAST # 10P2S32SC	BOTTOM OF JOISTS OR CEILING		49	LUMINAIRE TO BE MOUNTED 14'-0" A.F.F., UNLESS NOTED OTHERWISE. DO NOT ATTACH TO THE ROOF METAL DECK. ATTACH FROM ROOF SUPPORT. USED WHEN SWITCH THROUGH OCCUPANCY SENSOR.
G-1	W2GR8-332A-UNV-AD-10P3S32SC	METALUX	3-GE#2818/SP35/UMX/ECO WITH ADVANCE BALLAST # 10P3S32SC	RECESSED		72	USED WHEN SWITCH THROUGH OCCUPANCY SENSOR.
U-1	WGR8-232A-UNV-AD-10P2P32SC	METALUX	2-GE#2818/SP35/UMX/ECO WITH ADVANCE BALLAST # 10P2P32SC	RECESSED		48	
Y-1	WCAL-400-MH-MT-AD-3F-BZ-CA40BZ	MCGRAW-EDISON	GE#MVR400/HOR/BT28	ON POLE OR WALL (SEE NOTE 9)			SEE NOTE 6, TYPE III DISTRIBUTION. FOR LIGHT POLE SEE POLE SELECTION TABLE
Z-1	WCAL-400-MH-MT-AD-3F-BZ-CA40BZ	MCGRAW-EDISON	GE#MVR400/HOR/BT28	ON POLE (SEE NOTE 9) ON WALL		930 465	SEE NOTE 6, TYPE IV DISTRIBUTION. FOR LIGHT POLE SEE POLE SELECTION TABLE
Z1-SL	WCAL-400-MH-MT-AD-SL-BZ-CA40BZ	MCGRAW-EDISON	GE#MVR400/HOR/BT28	ON POLE (SEE NOTE 9) ON WALL		930 465	TYPE IV DISTRIBUTION - SPILL LIGHT ELIMINATOR. FOR LIGHT POLE, SEE POLE SELECTION TABLE.
B-2	W8TW-232A-UNV-AD-10P4P32SC	METALUX	2-GE#2818/SP35/UMX/ECO WITH ADVANCE BALLAST # 10P4P32SC	SURFACE		95	8'-0" TANDEM UNIT.
B-2A	WW-232A-UNV-AD-10P2P32SC	METALUX	2-GE#2818/SP35/UMX/ECO WITH ADVANCE BALLAST # 10P2P32SC	SURFACE		48	
B-2B	W8TW-232A-UNV-AD-10P2S32SC	METALUX	4-GE#2818/SP35/UMX/ECO WITH (2) ADVANCE BALLAST # 10P2S32SC	SURFACE		97	8'-0" TANDEM UNIT. USED WHEN SWITCH THROUGH OCCUPANCY SENSOR.
B-2C	WW-232A-UNV-AD-10P2S32SC	METALUX	2-GE#2818/SP35/UMX/ECO WITH ADVANCE BALLAST # 10P2S32SC	SURFACE		49	USED WHEN SWITCH THROUGH OCCUPANCY SENSOR.
E-3	MHP-S-100-MT-EM/SC/12V	LUMARK	GE#MXR100/U/MED GE#J25MR100/C/FL40	SURFACE		129	FRONT ENTRANCE (FOR STORE WITH AWNINGS ONLY), RECEIVING AND PASSAGE 1 EXIT DOORS. SEE NOTE 8
E-4	WCC7 (NO HEADS)	SURE-LITES	N/A	SURFACE			FRONT ENTRANCE, RECEIVING AND PASSAGE 1 EXIT DOORS.
E-5	WRFR153	SURE-LITES	-	RECESSED CANOPY		129	FRONT ENTRANCE (FOR STORES WITH CANOPY ONLY). SEE NOTE 8
	NOT USED	-	-	-	-	-	
W-2	K2ASW3A050P6G8	LIGHTOLIER	MH50P	EXTERIOR WALL		69	GOOSENECK FIXTURE FOR LIGHTING OF INDIVIDUAL LETTER BUILDING SIGNS.
AEM	W8TRCG-232-UNV-AD-10P4P32SC-B50	METALUX	4-GE#2818/SP35/UMX/ECO WITH ADVANCE BALLAST #10P4P32SC & EMERGENCY BALLAST	RECESSED		99	EMERGENCY BALLAST BODINE CAT. #B50 (SEE NOTE 12)
DEM	WC-232-UNV-AD-10P2P32SC-B50	METALUX	2-GE#2818/SP35/UMX/ECO WITH ADVANCE BALLAST #10P2P32SC & EMERGENCY BALLAST	BOTTOM OF JOISTS OR CEILING		52	LUMINAIRE TO BE MOUNTED 14'-0" A.F.F., UNLESS NOTED OTHERWISE. DO NOT ATTACH TO THE ROOF METAL DECK. ATTACH FROM ROOF SUPPORT. [EMERGENCY BALLAST BODINE CAT.#B50 (SEE NOTE 12) AND
D1EM	WC-232-UNV-AD-10P2S32SC-B50	METALUX	2-GE#2818/SP35/UMX/ECO WITH ADVANCE BALLAST #10P2S32SC & EMERGENCY BALLAST	BOTTOM OF JOISTS OR CEILING		53	LUMINAIRE TO BE MOUNTED 14'-0" A.F.F., UNLESS NOTED OTHERWISE. DO NOT ATTACH TO THE ROOF METAL DECK. ATTACH FROM ROOF SUPPORT. [EMERGENCY BALLAST BODINE CAT.#B50 (SEE NOTE 12) AND
G1EM	W2GR8-332A-UNV-AD-10P3S32SC-B50	METALUX	3-GE#2818/SP35/UMX/ECO WITH ADVANCE BALLAST #10P3S32SC & EMERGENCY BALLAST	RECESSED		76	USED WHEN SWITCH THROUGH OCCUPANCY SENSOR. EMERGENCY BALLAST BODINE CAT. #B50 (SEE NOTE 12).
U1EM	WGR8-232A-UNV-AD-10P2P32SC-B50	METALUX	2-GE#2818/SP35/UMX/ECO WITH ADVANCE BALLAST #10P2P32SC & EMERGENCY BALLAST	RECESSED		52	EMERGENCY BALLAST BODINE CAT. #B50 (SEE NOTE 12)
B2BEM	W8TW-232A-UNV-AD-10P2S32SC-B50	METALUX	4-GE#2818/SP35/UMX/ECO WITH (2) ADVANCE BALLAST #10P2S32SC & EMERGENCY BALLAST	SURFACE		101	8'-0" TANDEM UNIT. USED WHEN SWITCH THROUGH OCCUPANCY SENSOR. EMERGENCY BALLAST BODINE CAT. #B50 (SEE NOTE 12).

ALL COMPONENTS FURNISHED AND INSTALLED BY THE LANDLORD'S CONTRACTOR (UNLESS NOTED OTHERWISE).

NOTES:
1. ALL FLUORESCENT LUMINAIRES TO HAVE ADVANCE TRANSFORMER ELECTRONIC BALLASTS.
2. ALL HID LUMINAIRES TO HAVE ADVANCE TRANSFORMER MAGNETIC BALLASTS.
3. G.E. INDICATES GENERAL ELECTRIC COMPANY.
4. ALL LUMINAIRES SHALL BE SHIPPED WITHOUT LAMPS.
5. NOT USED.
6. (ADD "CA11" (TYPE III) OR "CA18" (TYPE IV) SUFFIX TO MCGRAW-EDISON FOR SHIELD ACCESSORY KIT).
7. VERIFY ALL LUMINAIRE DIMENSIONS WITH MANUFACTURER TO AVOID CONFLICTS WITH OTHER DISCIPLINES.
8. U/L LISTED WET LOCATION AND IP64 FOR MAXIMUM INSECT, DUST, AND WATER PROTECTION.
9. SEE DRAWINGS E0.1 AND E0.1A FOR MOUNTING LOCATION. COORDINATE MOUNTING WITH WALL THICKNESS AND MATERIALS INVOLVED. HARDWARE PER MANUFACTURER'S INSTRUCTIONS.
10. ALL 250 WATT METAL HALIDE FIXTURES, WITH A HORIZONTAL BURNING LAMP, MUST HAVE A SOCKET THAT ACCEPTS A "POS MOG E" LAMP.
11. ADD THE FOLLOWING ACCESSORIES FOR THE "H" LUMINAIRE:
HALO PART # L901P LIVE END CONNECTOR L902P FLEXIBLE CONNECTOR L652P (8'-0") 1 CIRCUIT TRACK SYSTEM LENS
12. ALL EMERGENCY BALLASTS ARE 1400 LUMENS (2-LAMP OPERATION).

POLE SELECTION TABLE				
POLE TYPE	MANUFACTURER	WIND SPEED		
		90MPH AND BELOW	120MPH AND BELOW	150MPH AND BELOW
1-HEAD	MCGRAW-EDISON	WSS5-5M-30-SFE1	WSS5-6M-30-SFE1	WSS5-6Z-30-SFE1
2-HEADS	MCGRAW-EDISON	WSS5-5M-30-SFE2	WSS5-6M-30-SFE2	WSS5-6Z-30-SFE2
3-HEADS	MCGRAW-EDISON	WSS5-5M-30-SFE3	WSS5-6X-30-SFE3	WSS5-6Z-30-SFE3
3-HEADS WITH ONE "W-2" AT POLE TOP	MCGRAW-EDISON	WSS5-5M-30-SFE3	WSS5-6X-30-SFE3	NOT AVAILABLE
3-HEADS WITH ONE "W-1" AT 9 FEET	MCGRAW-EDISON	WSS5-5M-30-SFE3	WSS5-6X-30-SFE3	WSS5-6Z-30-SFE3
4-HEADS	MCGRAW-EDISON	WSS5-5M-30-SFE4	WSS5-6X-30-SFE4	WSS5-6Z-30-SFE4
4-HEADS WITH ONE "W-1" AT 9 FEET	MCGRAW-EDISON	WSS5-5M-30-SFE4	WSS5-6X-30-SFE4	WSS5-6Z-30-SFE4

OCCUPANCY SENSOR SCHEDULE						
LOCATION	MOTION SENSOR TYPE	CATALOG NUMBER	MANUFACTURER	VOLTAGE	MOUNTING	REMARKS
OFFICE	MS1	OSCO5-UOW-WAL	LEVITON	120VAC	MOUNT ON CEILING	LEVITON-UTILIZE W/ POWER PACK, OSP20-ODO-WAL.
MENS BATHROOM	MS1	OSCO5-UOW-WAL	LEVITON	120VAC	MOUNT ON CEILING	LEVITON-UTILIZE W/ POWER PACK, OSP20-ODO-WAL.
WOMENS BATHROOM	MS1	OSCO5-UOW-WAL	LEVITON	120VAC	MOUNT ON CEILING	LEVITON-UTILIZE W/ POWER PACK, OSP20-ODO-WAL.
EMPLOYEE ROOM	MS2	ODS15-ID-WAL	LEVITON	120VAC	MOUNT ON WALL @ 42" A.F.F.	SEE NOTE 3
TRAINING ROOM/MULTI-PURPOSE ROOM	MS2	ODS15-ID-WAL	LEVITON	120VAC	MOUNT ON WALL @ 42" A.F.F.	SEE NOTE 3
PASSAGEWAY #1	MS4	OSCO4-UOW-WAL	LEVITON	120VAC	MOUNT ON LUMINAIRE, AS NOTED ON DRAWING E1.1 (OR CEILING, IF APPLICABLE)	LEVITON-UTILIZE W/ POWER PACK, OSP20-ODO-WAL.
GENERAL STOCKROOM	MS3	OSCO4-IOW-WAL	LEVITON	120VAC	MOUNT ON LUMINAIRE, AS NOTED ON DRAWING E1.1 (OR CEILING, IF APPLICABLE)	LEVITON-UTILIZE W/ POWER PACK, OSP20-ODO-WAL & MOUNTED IN A 3" J-BOX. SEE NOTE 1.

NOTES:
1. OCCUPANCY SENSORS IN STOCKROOM/RECEIVING AREA SHALL BE DIVIDED INTO TWO (2) ZONES:
ZONE 1 - RECEIVING AREA AND PARTIAL STOCKROOM, COMPRISING OF:
LEVITON (2) OSO4-IOW-WAL SENSOR & (1) ODP20-ODO-WAL POWER PACK, OR
ZONE 2 - LONG STOCKROOM HALLWAY, COMPRISING OF:
LEVITON (2) OSO4-IOW-WAL SENSOR & (1) ODP20-ODO-WAL POWER PACK, OR
2. OCCUPANCY SENSORS SHOWN IN DRAWING E1.1 ARE FOR PROTOTYPICAL WALGREENS STORE LAYOUT. CONTACT LEVITON FOR ADDITIONAL TECHNICAL LAYOUT, WIRING OR INSTALLATION QUESTIONS ON OTHER STORE LAYOUT.
PATRICK CLAPP
LEVITON MANUFACTURING CO., INC
58-25 LITTLE NECK PARKWAY
LITTLE NECK NY 11362-2691
TEL - (718) 281-6923
FAX - (718) 281-6047
e-mail: pclapp@leviton.com
3. LOAD REQUIREMENT: LHRS1W IS 0-1000W BALLAST @ 120VAC, 50/60HZ AND 0-1800W BALLAST @ 277VAC, 50/60HZ. ODS15-ID-WAL IS 1800VA @120V/4000VA@277V (FLUORESCENT)
4. ULTRASONIC SENSOR IS MADE FOR OFF-CENTER CEILING MOUNT. SEE DRAWING E1.1 FOR APPROXIMATE LOCATION. ULTRASONIC CEILING MOUNT SENSOR REQUIRE IT BE MOUNTED NO CLOSER THAN 4' TO AIR SUPPLY/RETURN REGISTERS.
5. WHEN SPECIFYING THE PLACEMENT OF ULTRASONIC SENSORS, DIRECTION OF THE RECEIVERS SHOULD BE CLEARLY SHOWN.
6. FINAL DETERMINATION OF CIRCUITING, VOLTAGE AND QUANTITY OF POWER PACKS REQUIRED ARE THE RESPONSIBILITIES OF THE CONSULTING ENGINEER AND OR THE ELECTRICAL CONTRACTOR.
7. OCCUPANCY SENSORS SETTINGS (TIME DELAY, SENSITIVITY, ETC) ARE FACTORY PRE-PROGRAMMED PRIOR TO SHIPPING IN STORE.

NATIONAL ACCOUNTS

I. LUMINAIRES
A. WALGREENS, ITS DEVELOPERS AND THEIR CONTRACTORS WORKING ON WALGREENS PROJECTS LOCATED IN ALABAMA, CALIFORNIA, CONNECTICUT, DELAWARE, FLORIDA, GEORGIA, HAWAII, ILLINOIS, INDIANA, KENTUCKY, MAINE, MARYLAND, MASSACHUSETTS, MICHIGAN, MISSISSIPPI, NEW HAMPSHIRE, NEW JERSEY, NEW YORK, NORTH CAROLINA, OHIO, PENNSYLVANIA, RHODE ISLAND, SOUTH CAROLINA, TENNESSEE, TEXAS, VERMONT, VIRGINIA, WASHINGTON D.C., WEST VIRGINIA, WISCONSIN AND PUERTO RICO MUST CALL GESCO FOR COOPER LUMINAIRES FOR PRICE QUOTES AND BILL OF MATERIAL CONFIRMATION FOR THEIR SPECIFIC PROJECT AT (630) 718-6599.
B. WALGREENS, ITS DEVELOPERS AND THEIR CONTRACTORS WORKING ON WALGREENS PROJECTS LOCATED IN ARIZONA, ARKANSAS, COLORADO, IDAHO, IOWA, KANSAS, LOUISIANA, MINNESOTA, MISSOURI, MONTANA, NEBRASKA, NEVADA, NEW MEXICO, NORTH DAKOTA, OKLAHOMA, OREGON, SOUTH DAKOTA, UTAH, WASHINGTON, AND WYOMING MUST CALL VILLA LIGHTING FOR LITHONIA LUMINAIRES FOR PRICE QUOTES AND BILL OF MATERIAL CONFIRMATION FOR THEIR SPECIFIC PROJECT AT (800) 325-0963.

II. LAMPS
A. WALGREENS, ITS DEVELOPERS AND THEIR CONTRACTORS WORKING ON WALGREENS PROJECTS MUST CALL VILLA LIGHTING AT (800) 325-0963.
B. THE GENERAL CONTRACTORS WILL SELECT AN ELECTRICAL CONTRACTOR TO PURCHASE AND INSTALL THE LAMP PACKAGE. PURCHASE ORDERS TO VILLA LIGHTING WILL BE ISSUED BY THE ELECTRICAL CONTRACTOR FOR ALL STORES.

III. OCCUPANCY SENSORS
A. WALGREENS, ITS DEVELOPERS AND THEIR CONTRACTORS WORKING ON WALGREENS PROJECTS LOCATED IN ALABAMA, CALIFORNIA, CONNECTICUT, DELAWARE, FLORIDA, GEORGIA, HAWAII, ILLINOIS, INDIANA, KENTUCKY, MAINE, MARYLAND, MASSACHUSETTS, MICHIGAN, MISSISSIPPI, NEW HAMPSHIRE, NEW JERSEY, NEW YORK, NORTH CAROLINA, OHIO, PENNSYLVANIA, RHODE ISLAND, SOUTH CAROLINA, TENNESSEE, TEXAS, VERMONT, VIRGINIA, WASHINGTON D.C., WEST VIRGINIA, WISCONSIN AND PUERTO RICO MUST CALL GESCO FOR LEVITON OCCUPANCY SENSORS AT (630) 718-6599.
B. WALGREENS, ITS DEVELOPERS AND THEIR CONTRACTORS WORKING ON WALGREENS PROJECTS LOCATED IN ARIZONA, ARKANSAS, COLORADO, IDAHO, IOWA, KANSAS, LOUISIANA, MINNESOTA, MISSOURI, MONTANA, NEBRASKA, NEVADA, NEW MEXICO, NORTH DAKOTA, OKLAHOMA, OREGON, SOUTH DAKOTA, UTAH, WASHINGTON, AND WYOMING MUST CALL VILLA LIGHTING FOR HUBBELL OCCUPANCY SENSORS AT (800) 325-0963.
C. THE GENERAL CONTRACTORS WILL SELECT AN ELECTRICAL CONTRACTOR TO PURCHASE AND INSTALL THE OCCUPANCY SENSORS. PURCHASE ORDERS TO GESCO OR VILLA LIGHTING WILL BE ISSUED BY THE ELECTRICAL CONTRACTOR FOR ALL STORES.

NO.	DATE	BY	DESCRIPTION	CONST
REVISIONS				
CERTIFICATION AND SEAL				
I HEREBY CERTIFY THAT THIS PLAN AND SPECIFICATION WAS PREPARED BY ME OR UNDER MY DIRECT SUPERVISION AND THAT I AM A DULY REGISTERED ARCHITECT OR ENGINEER UNDER THE LAWS OF THE STATE OF MAINE AS SIGNIFIED BY MY HAND AND SEAL.				

FISCAL 2007 CRITERIA - STORE #12326

WALGREENS
(NWC) WASHINGTON & ALLEN AVES.
PORTLAND, MAINE

DRAWING TITLE
LIGHTING SCHEDULE AND DETAILS

CADD PLOT:	SCALE: AS NOTED	DRAWING NO.
VOID PLOT:	DRAWN BY: TD	E4.1
RELEASED TO CONSTRUCTION	DATE: 3-26-09	
	REVIEWED BY: SAM	