

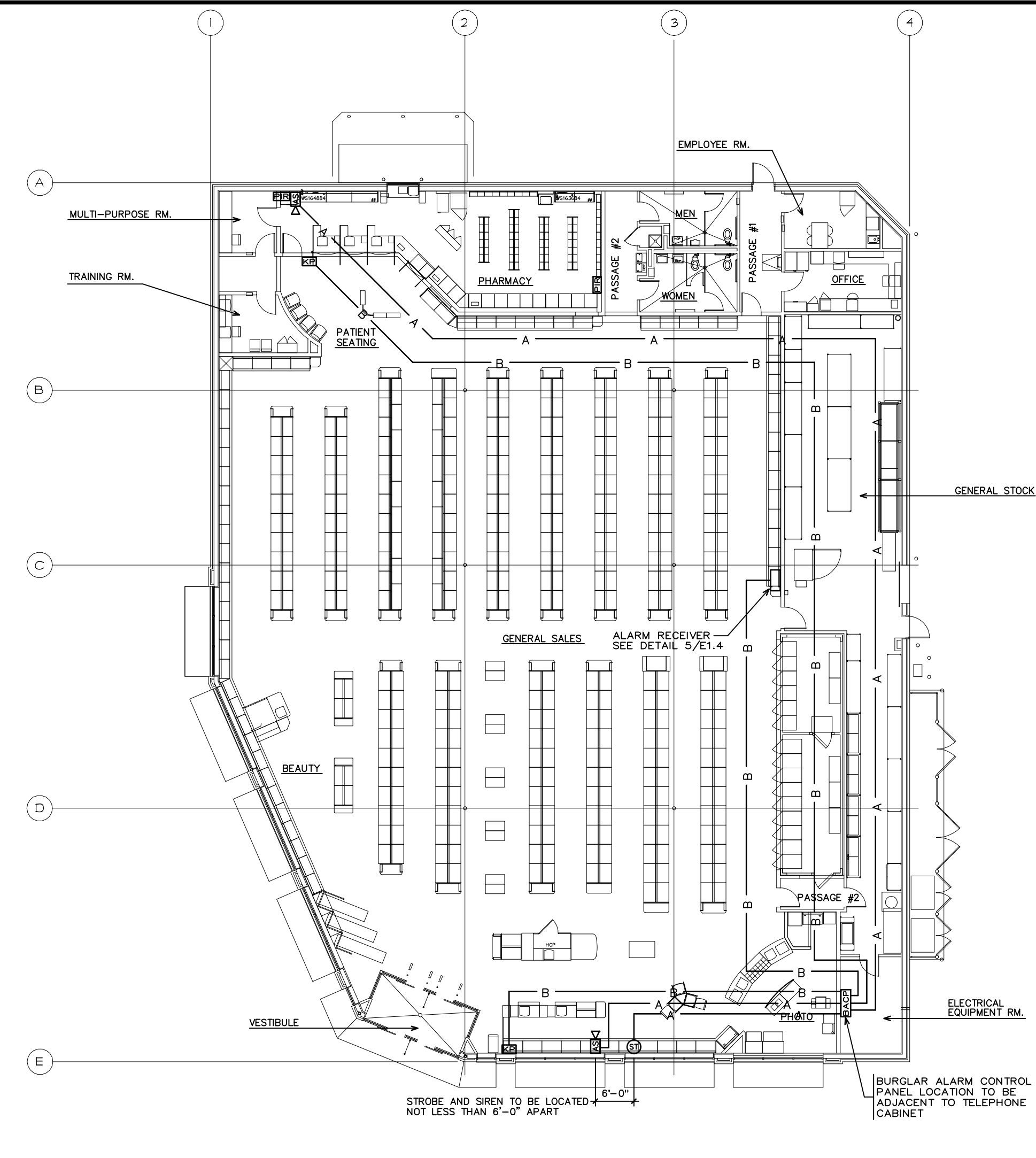
DRAWINGS/SPECIFICATIONS BY:

WALGREENS'
 LANDLORD'S CONSULTANT

ALL CONSTRUCTION WORK, UNLESS NOTED OTHERWISE, BY:

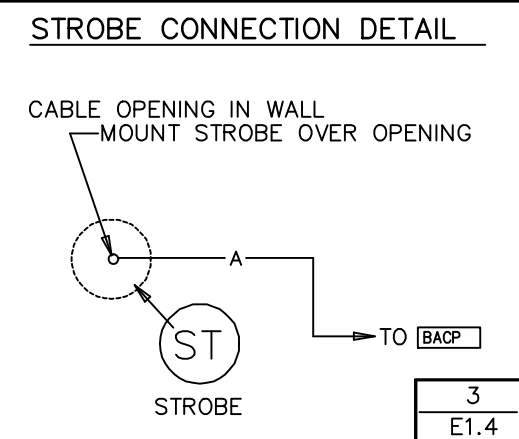
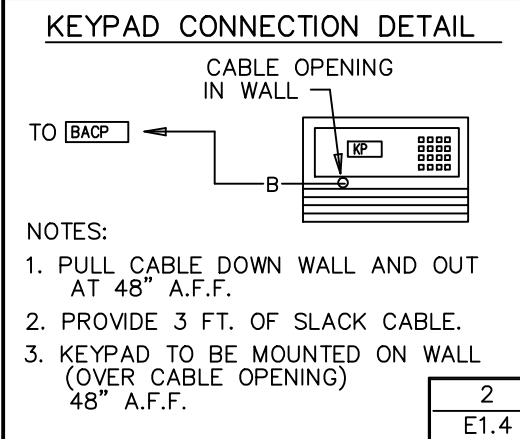
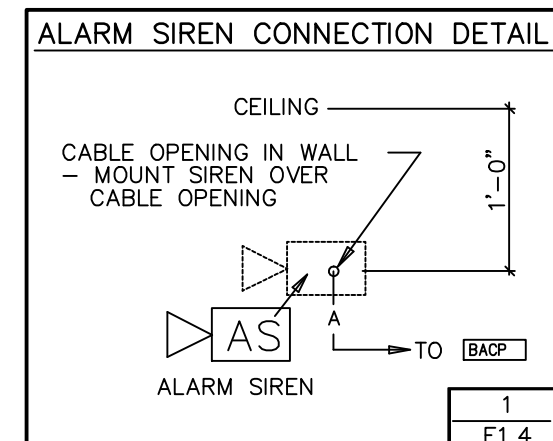
WALGREENS' CONTRACTOR
 LANDLORD'S CONTRACTOR (TURNKEY CONSTRUCTION)

STORE	BUILDING
NEW <input checked="" type="checkbox"/>	NEW <input checked="" type="checkbox"/>
REMODELING <input type="checkbox"/>	EXISTING <input type="checkbox"/>
RELOCATION <input type="checkbox"/>	NEW SHELL ONLY <input type="checkbox"/>
OTHERS <input type="checkbox"/>	

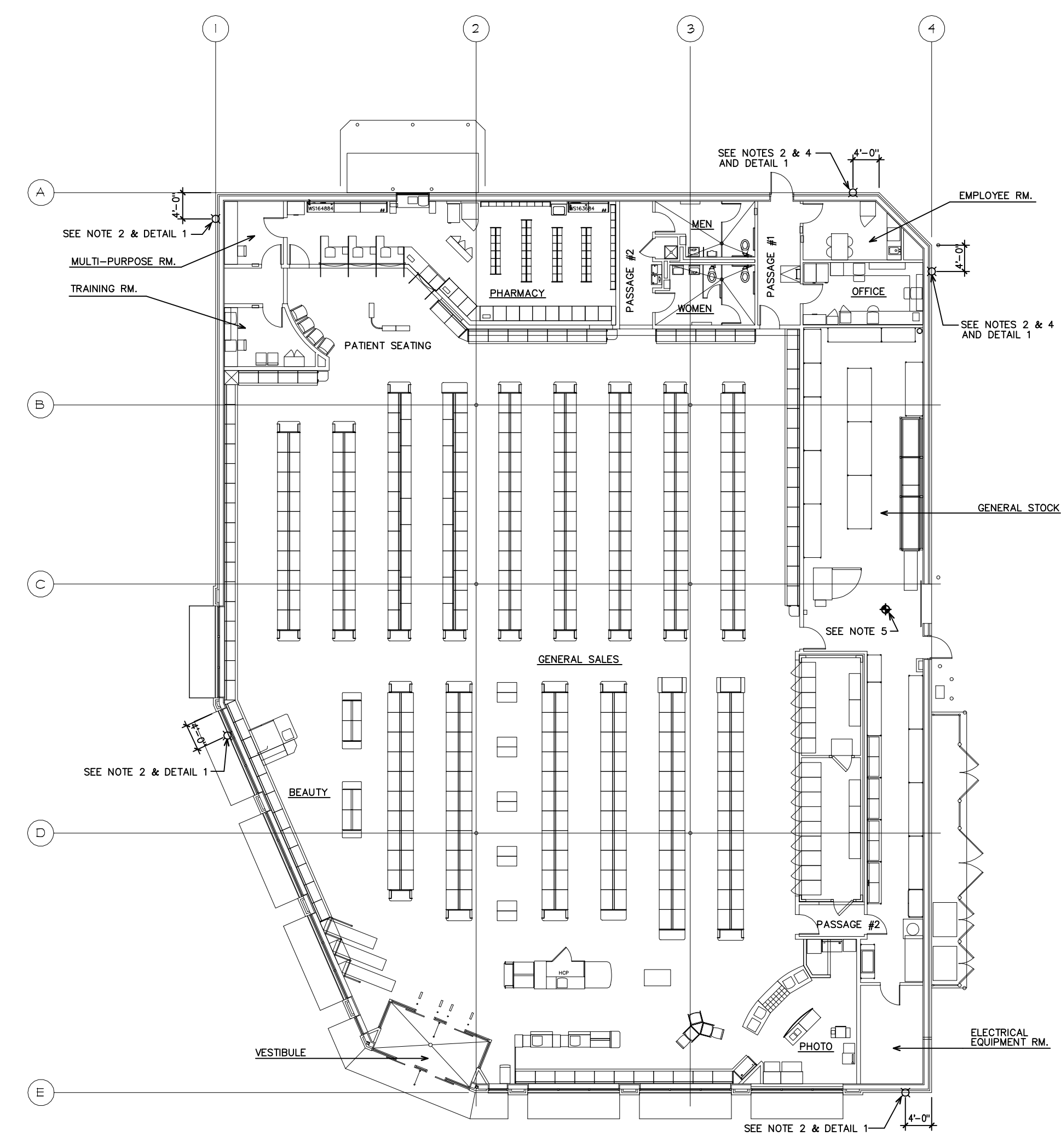
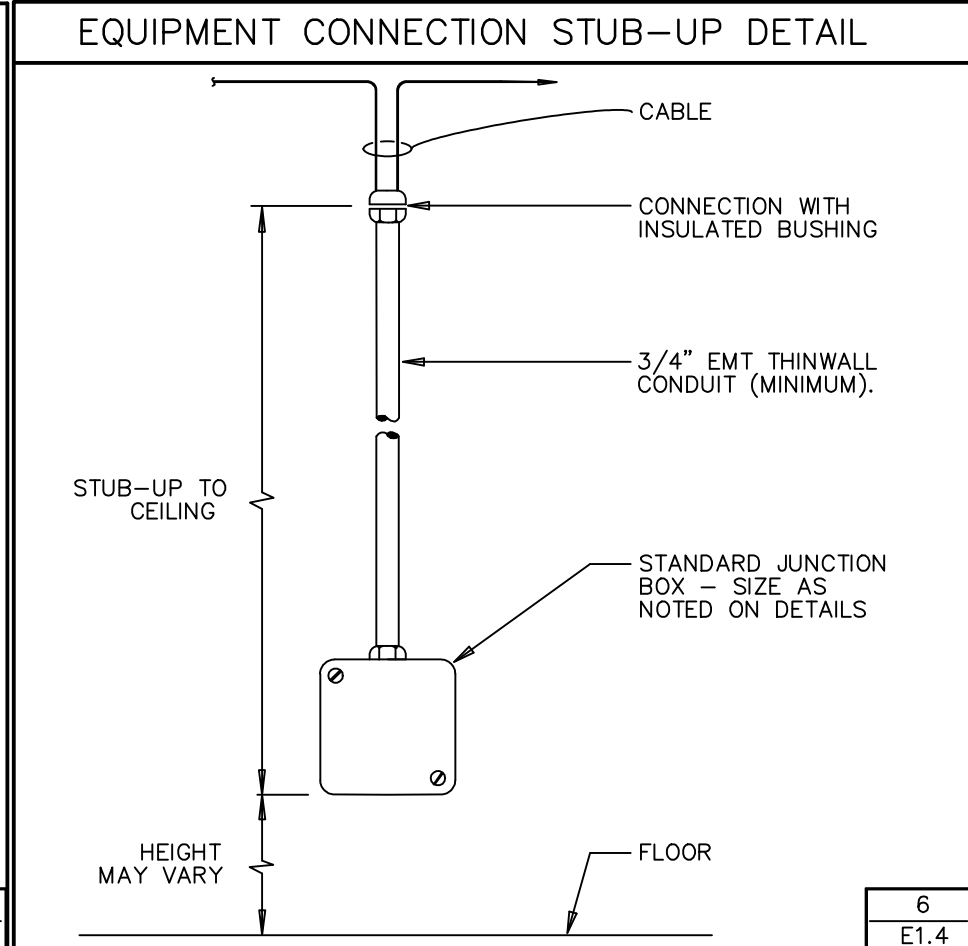
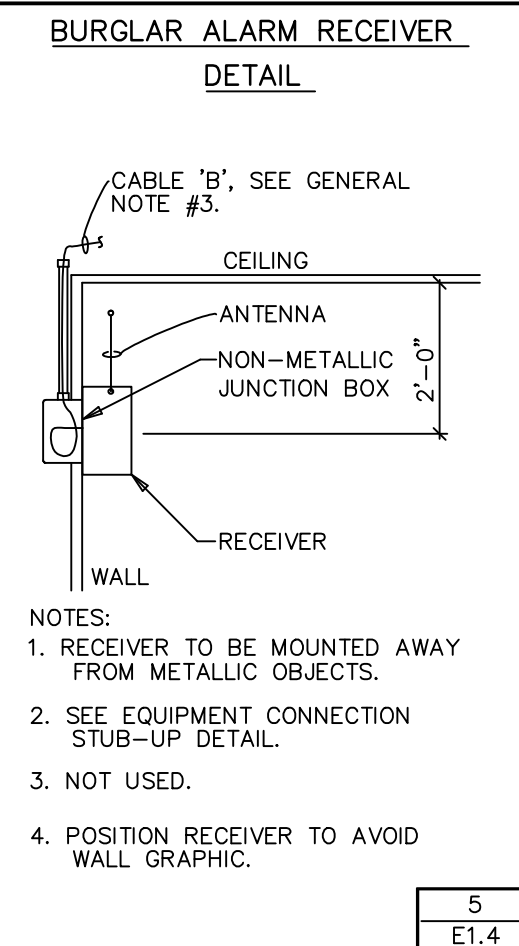
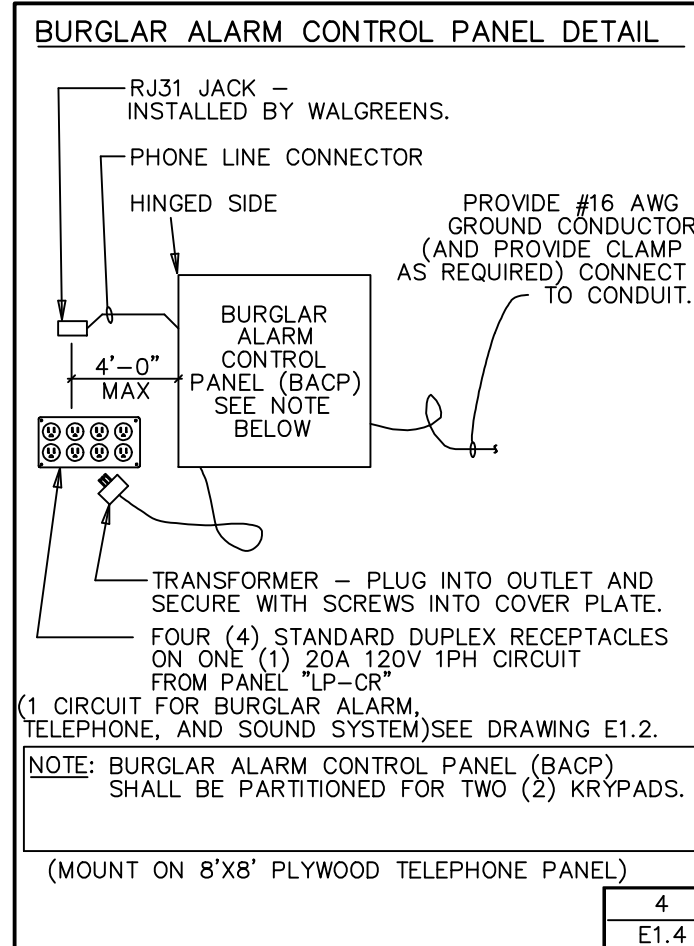


FLOOR PLAN – BURGLAR ALARM SYSTEM
SCALE: 1/16" = 1'-0"

- BURGLAR ALARM SYSTEM NOTES**
- ALL WORK SHOWN SHALL COMPLY WITH ALL NATIONAL, STATE AND LOCAL CODES, ORDINANCES, ETC.
 - BURGLAR ALARM SYSTEM DEVICES FURNISHED BY WALGREENS, CABLES FURNISHED AND INSTALLED BY LANDLORD'S CONTRACTOR. FINAL TERMINATION OF BURGLAR ALARM SYSTEM DEVICES WILL BE BY WALGREENS DATA TERMINAL REPAIR (DTR) OR WALGREENS CONTRACTOR.
 - THIS DRAWING SHOWS ONLY WORK DONE BY THE ELECTRICAL CONTRACTOR AND DOES NOT SHOW A COMPLETE SYSTEM. ADDITIONAL PIR MOTION DETECTOR & DOOR CONTACT INSTALLATION BY WALGREENS (DTR).
 - CABLE REQUIREMENTS:
(A)- 18 GAUGE, 2 CONDUCTOR, TWISTED & STRANDED (BELDEN 5300UE)
(B)- 18 GAUGE, 4 CONDUCTOR, TWISTED & STRANDED (BELDEN 5302UE)
 - ALARM STROBE AND ALARM SIREN TO BE INSTALLED A MINIMUM OF 6'-0" APART.

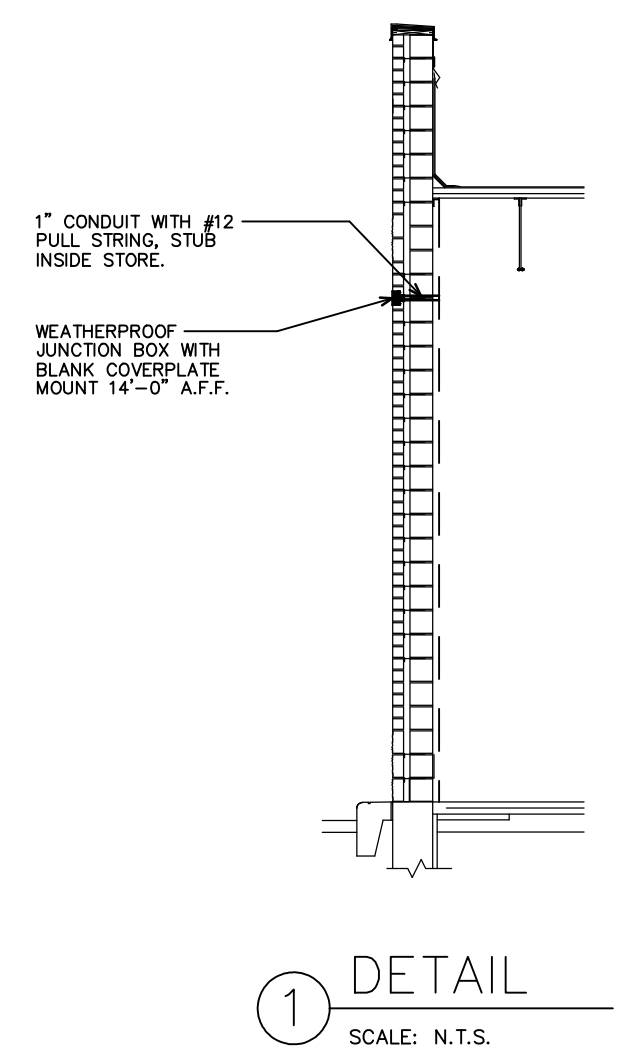


- LEGEND**
- BURGLAR ALARM CONTROL PANEL
 - ALARM SIREN
 - STROBE
 - ALPHA KEYPAD
 - PIR MOTION DETECTOR
 - A— CABLE - SEE BURGLAR ALARM SYSTEM NOTE #4
 - B— CABLE - SEE BURGLAR ALARM SYSTEM NOTE #4



FLOOR PLAN – COVERT CCTV SYSTEM
SCALE: 1/16" = 1'-0"

- COVERT CCTV SYSTEM NOTES**
- ALL WORK SHOWN SHALL COMPLY WITH ALL NATIONAL, STATE AND LOCAL CODES, ORDINANCES, ETC.
 - ELECTRICAL CONTRACTOR TO FURNISH ONE (1) 1" CCTV CONDUIT, WEATHERPROOF JUNCTION BOX AND BLANK COVERPLATE, WITH CONDUIT STUB INSIDE STORE (REFER TO DETAIL 1 FOR ADDITIONAL INFORMATION). MASONRY CONTRACTOR TO INSTALL AND COORDINATE WITH ELECTRICAL CONTRACTOR.
 - ELECTRICAL CONTRACTOR TO COORDINATE WITH MASONRY CONTRACTOR REGARDING INSTALLATION OF IN-WALL CONDUIT FOR ALL WALL MOUNTED ELECTRICAL ITEMS (i.e. LIGHTS, SIGNS, CAMERAS, etc.) TO BELOW ROOF LINE.
 - REAR CAMERA TO HAVE CLEAR SIGHT OF RECEIVING DOOR, AND REAR OF VEHICLE AT DRIVE-THRU WINDOW.
 - GLOBE BEAM MOUNT (GBM) KIT AND CONDUIT, FURNISHED AND INSTALLED BY ELECTRICAL CONTRACTOR. CONTACT WREN AT (800) 881-2249. MOUNT GLOBE AT 10'-0" A.F.F.



NO.	DATE	BY	DESCRIPTION	CONST
REVISIONS				

CERTIFICATION AND SEAL

I HEREBY CERTIFY THAT THIS PLAN AND SPECIFICATION WAS PREPARED BY ME OR UNDER MY DIRECT SUPERVISION AND THAT I AM A DULY REGISTERED ARCHITECT OR ENGINEER UNDER THE LAWS OF THE STATE OF MAINE AS SIGNIFIED BY MY HAND AND SEAL.

FISCAL 2007 CRITERIA - STORE #12326

WALGREENS
(NWC) WASHINGTON & ALLEN AVES.
PORTLAND, MAINE

DRAWING TITLE
FLOOR PLAN - BURGLAR ALARM & CCTV SYSTEMS

CADD PLOT:	SCALE: AS NOTED	DRAWING NO.
VOID PLOT:	DRAWN BY: TD	E1.4
RELEASED TO CONSTRUCTION	DATE: 3-26-09	
	REVIEWED BY: SAM	