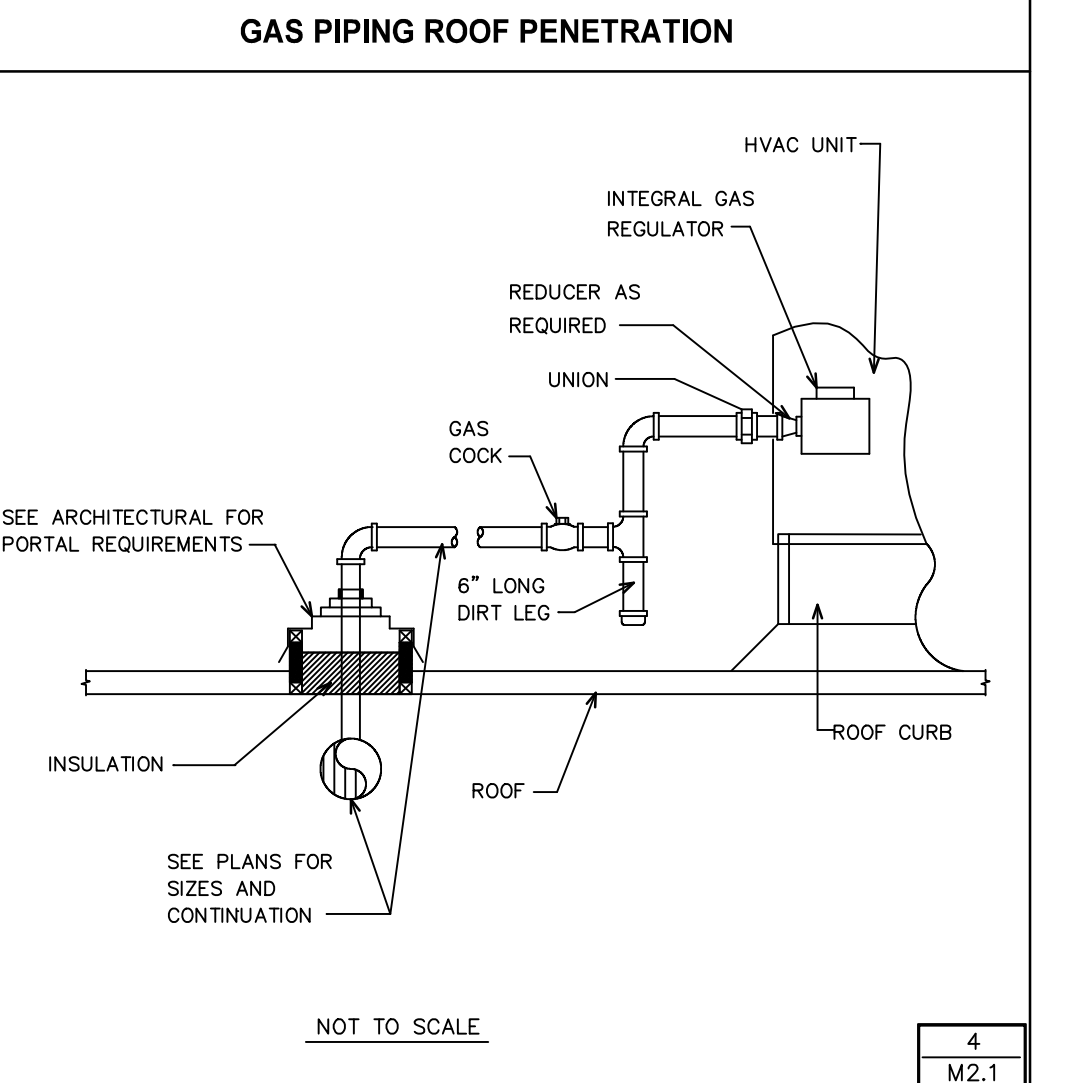
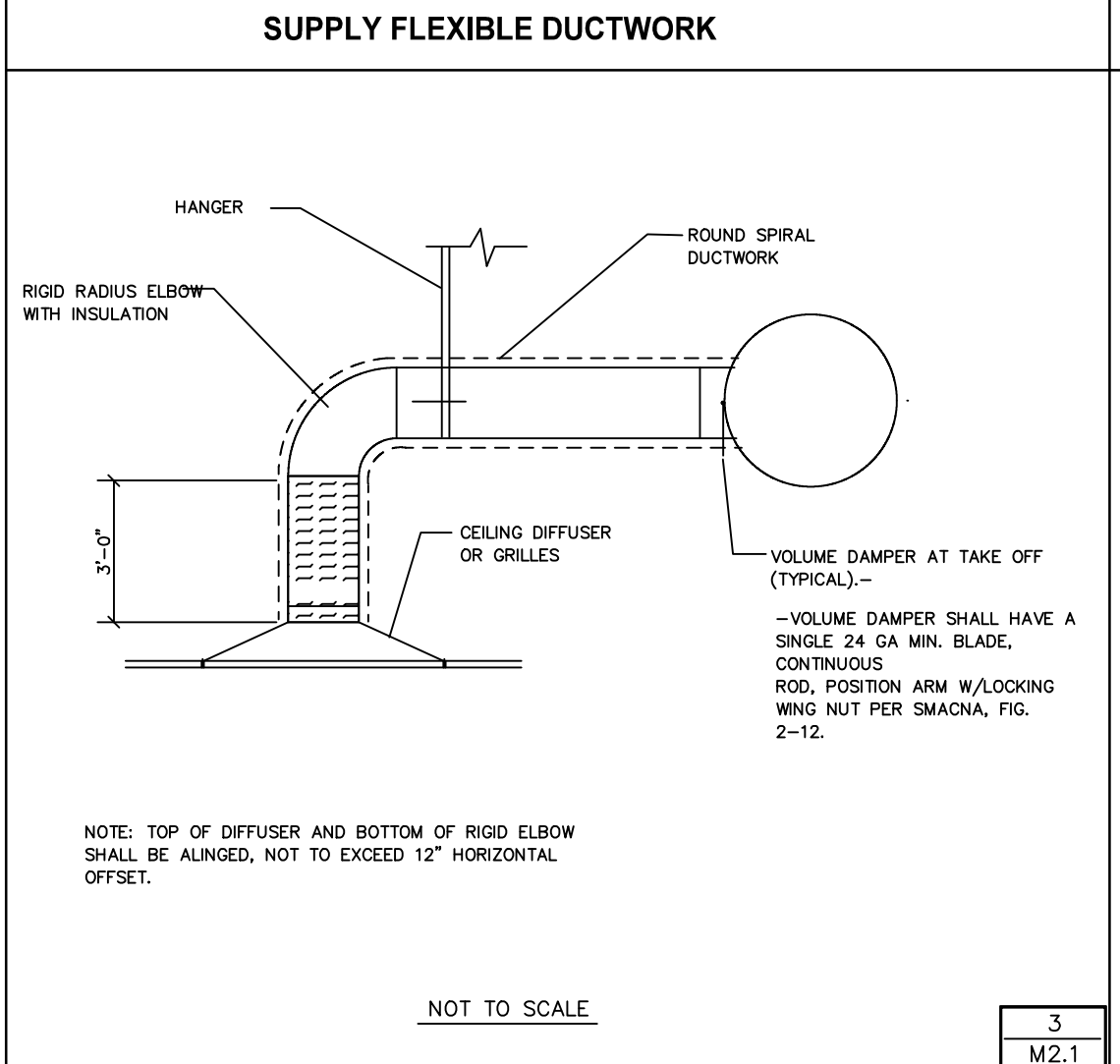
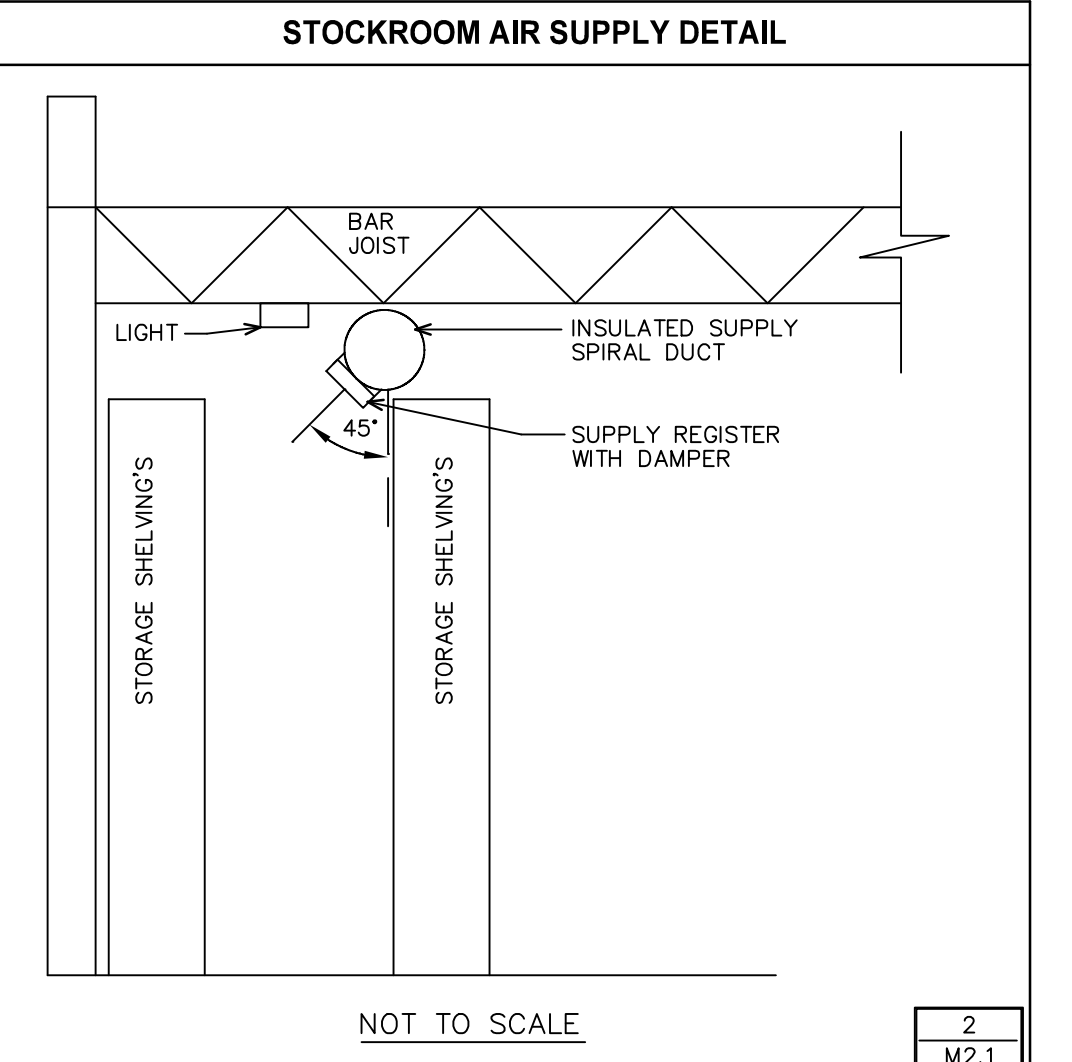
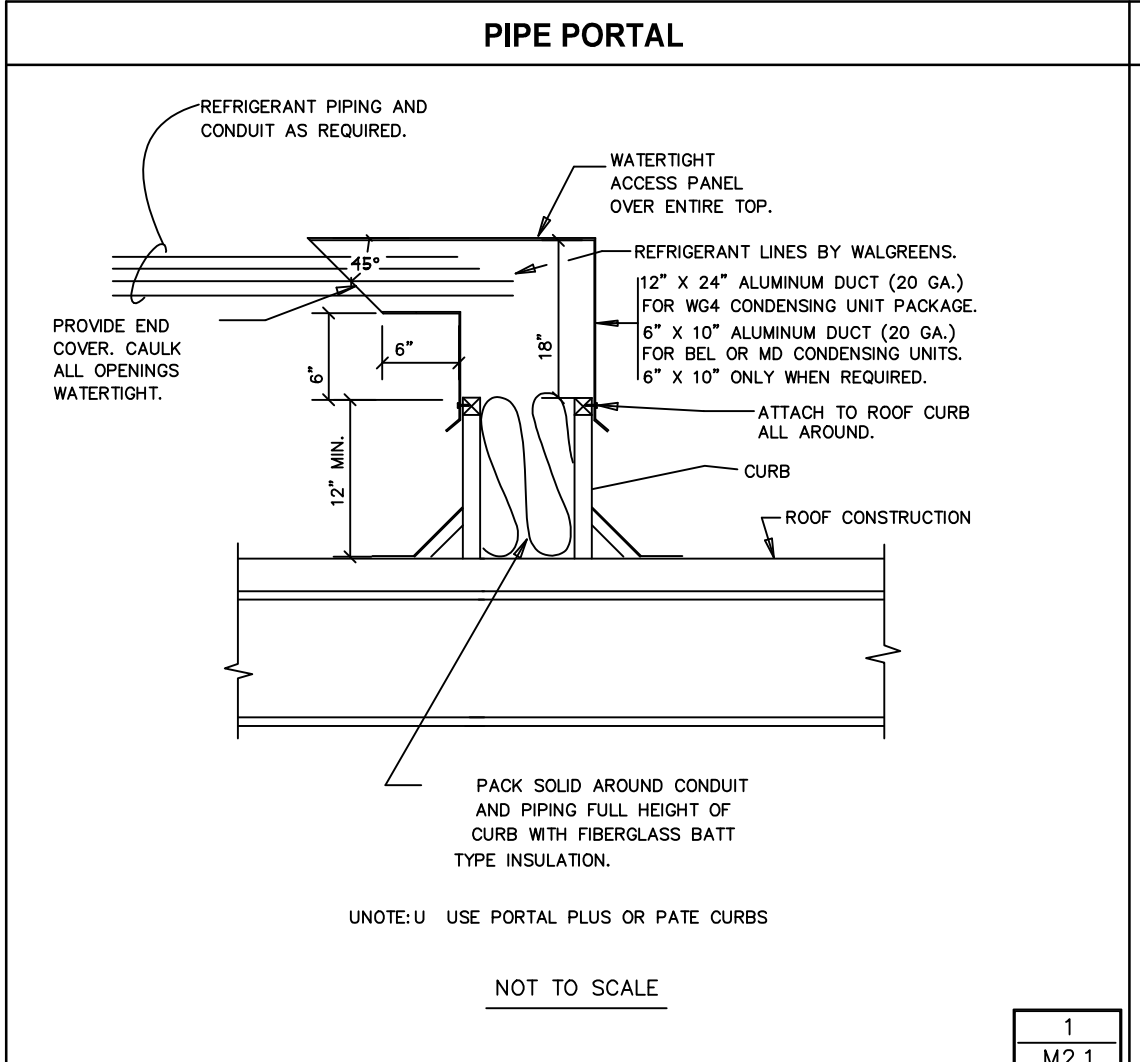
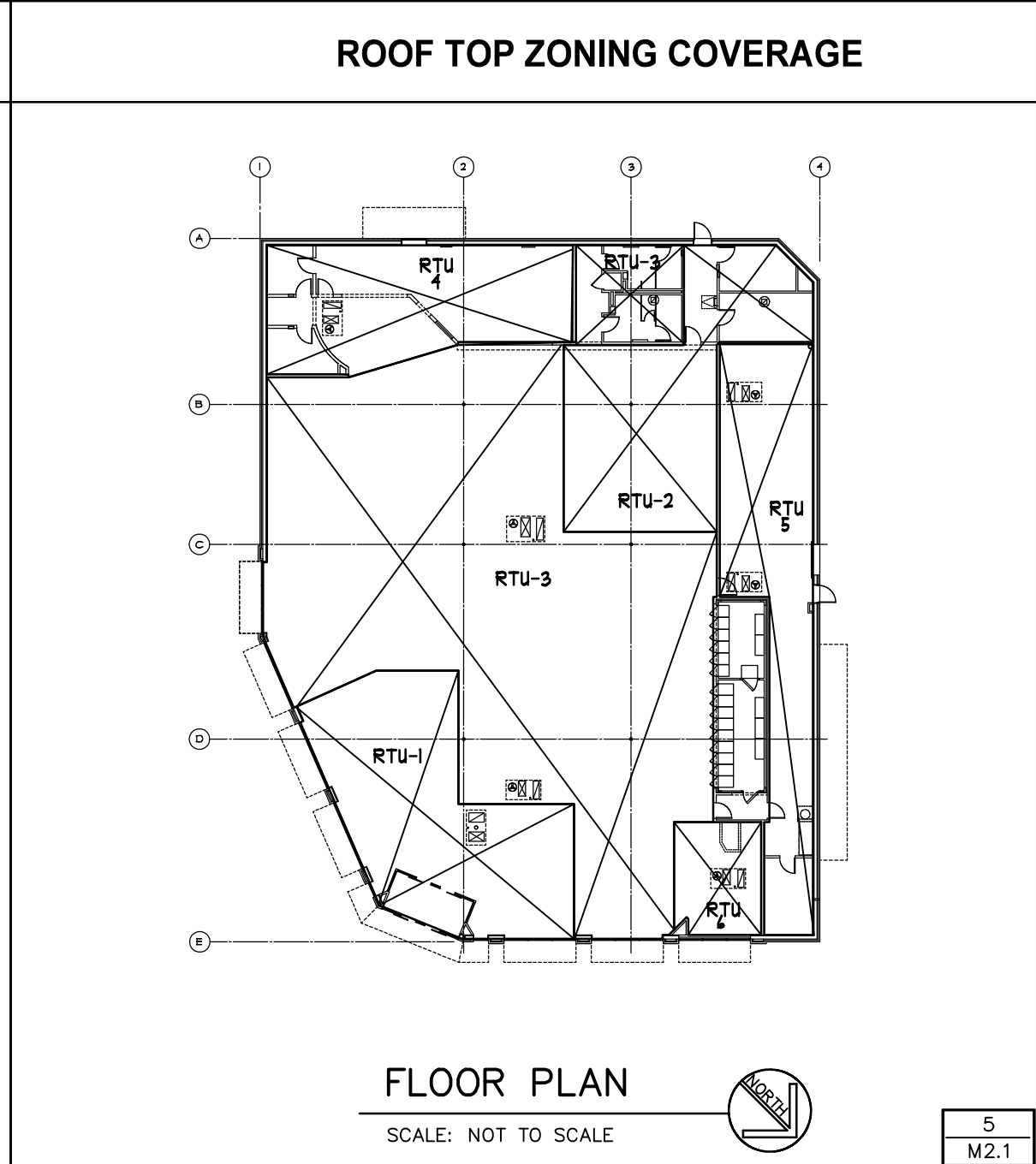
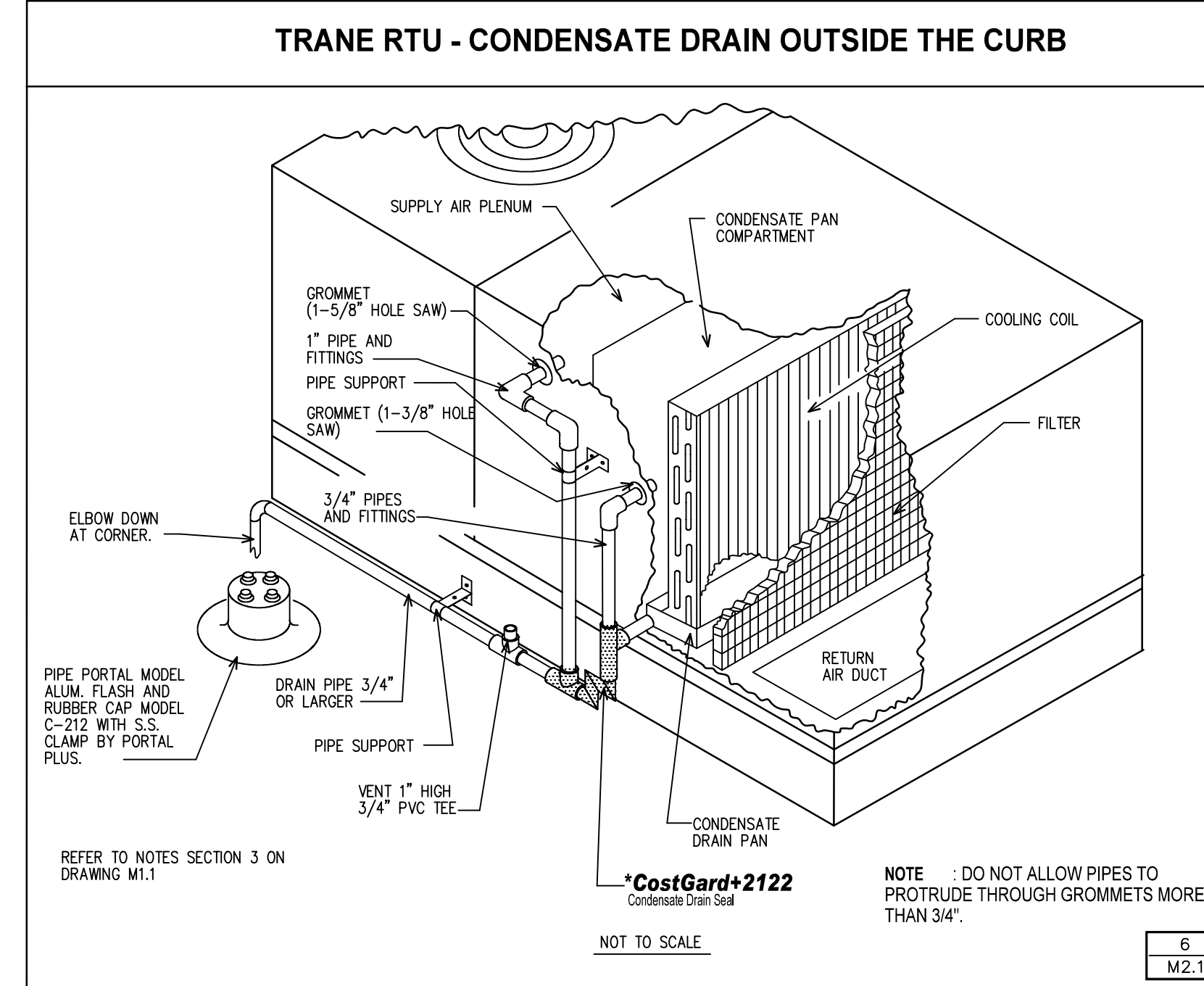


DRAWINGS/SPECIFICATIONS BY:
 WALGREENS'
 LANDLORD'S CONSULTANT
 ALL CONSTRUCTION WORK, UNLESS NOTED OTHERWISE, BY:
 WALGREENS' CONTRACTOR
 LANDLORD'S CONTRACTOR (TURNKEY CONSTRUCTION)

STORE	BUILDING
NEW <input type="checkbox"/>	NEW <input checked="" type="checkbox"/>
REMODELING <input type="checkbox"/>	EXISTING <input type="checkbox"/>
RELOCATION <input type="checkbox"/>	NEW SHELL ONLY <input type="checkbox"/>
OTHERS <input type="checkbox"/>	



- TYPICAL CONDENSATE DRAIN NOTES:**
- FURNISH AND INSTALL 3/4" (MINIMUM) CONDENSATE DRAIN PIPE.
 - COSTGARD DEVICE BY TRENT TECHNOLOGIES, INC. TYLER, TEXAS (902)369-4843.
 - CONDENSATE PIPING TO BE PVC SCHEDULE 40, IN BOTH THE BASIC AND ALTERNATE DRAIN SYSTEMS. ELBOW DOWN, ROOFING CONTRACTOR TO PROVIDE SPLASH PROVISION.
 - DO NOT INSTALL ANY PIPING THAT WILL INTERFERE WITH REQUIRED UNIT ACCESS.
 - RUN BELOW ROOF IF CODE DOES NOT ALLOW DISCHARGING ONTO THE ROOF.
 - EITHER THE BASIC OR ALTERNATE SYSTEM MAY BE USED EXCEPT THAT THE ALTERNATE SYSTEM UNUSTU BE USED IN JURISDICTIONS WHERE PIPING ABOVE THE ROOF IS PROHIBITED. TRANE UNITS AND SOME CARRIER UNITS (3 AND ABOVE) ARE NOT DELIVERED WITH DRAIN CONNECTIONS IN THE BOTTOM OF THE PAN, THUS DRAIN CONNECTIONS FOR THESE UNITS MUST BE MADE IN THE FIELD. DETAILED INSTALLATION INSTRUCTIONS ARE PROVIDED WITH EACH SHIPMENT OF CostGard DRAIN SEAL.
 - ALL PIPING SHALL BE INSULATED INCLUDING BRANCH, MAIN, VENT AND CostGard.
 - RUN CONDENSATE PIPING 3" BEYOND ROOF CURB AND DISCHARGE IN THE DIRECTION OF THE ROOF PITCH.

AIR TERMINAL SCHEDULE										
TAG	AREA	RANGE CFM	NECK IN.	OVERALL SIZE I IN.	BORDER	TYPE	BLOW	O.B.D. DAMPER	PRICE MODEL OR LISTED EQUAL	
S.A.D.	SALES	50 - 120	4 DIA.	24 x 24	LAY-IN	PLAQUE	340 DEG.	NONE	ASPD	
S.A.D.	SALES	121 - 235	8 DIA.	24 x 24	LAY-IN	PLAQUE	340 DEG.	NONE	.	
S.A.D.	SALES	236 - 400	10 DIA.	24 x 24	LAY-IN	PLAQUE	340 DEG.	NONE	.	
S.A.D.	SALES	401 - 480	12 DIA.	24 x 24	LAY-IN	PLAQUE	340 DEG.	NONE	.	
S.A.D.	SALES	481 - 1000	14 DIA.	24 x 24	LAY-IN	PLAQUE	340 DEG.	NONE	.	
S.A.D.	SALES	1001 -1450	16 DIA.	24 x 24	LAY-IN	PLAQUE	340 DEG.	NONE	.	
S.A.D.	NON-SALES	50 - 150	4 x 4		NOTE 1	FLUSH FACE LOUVERED	4 WAY	NONE	AMDA-34	
S.A.D.	NON-SALES	50 - 150	4 x 4	24 x 24	LAY-IN	FLUSH FACE LOUVERED	4 WAY	NONE	.	
S.A.D.	NON-SALES	151 - 400	9 x 9	24 x 24	LAY-IN	FLUSH FACE LOUVERED	4 WAY	NONE	.	
S.A.D.	NON-SALES	401 - 480	12 x 12	24 x 24	LAY-IN	FLUSH FACE LOUVERED	4 WAY	NONE	.	
S.A.G.	STOCK	50 - 300	12 x 4	14 x 8	NOTE 1	NOTE 4.	1 WAY	NONE	420 DL	
S.A.G.	ENTRANCE	300 - 400	14 x 4	16 x 8	NOTE 1	NOTE 4.	1 WAY	NONE	.	
S.A.G.	ENTRANCE	401 - 100	22 x 4	24 x 8	NOTE 1	NOTE 4.	1 WAY	NONE	.	
S.A.G.	ENTRANCE	101 - 1000	20 x 10	22 x 12	NOTE 1	NOTE 4.	1 WAY	NONE	.	
S.A.G.	ENTRANCE	1001 -1200	24 x 10	24 x 12	NOTE 1	NOTE 4.	1 WAY	NONE	.	
R.A.G.	SALES	2501 -5000	41 x 23	48 x 24	LAY-IN	1"x1"x1" EGG GRATE	NA	NONE	82 TB	
R.A.G.	SALES	401 -2500	23 x 23	24 x 24	LAY-IN	1"x1"x1" EGG GRATE	NA	NONE	.	
T.A.G.	OFFICE	401 - 400	12 x 12	14 x 14	NOTE 1	1"x1"x1" EGG GRATE	NA	NONE	.	
E.A.G.	BHP. ROOM	401 - 400	12 x 12	14 x 14	NOTE 1	1"x1"x1" EGG GRATE	NA	YES	.	
E.A.G.	TOILETS	201 - 400	10 x 10	12 x 12	NOTE 1	1"x1"x1" EGG GRATE	NA	YES	.	
R.A.G.	OTHER	101 - 200	8 x 8	10 x 10	NOTE 1	1"x1"x1" EGG GRATE	NA	YES	.	
E.A.G.	PORTER	50 - 100	4 x 4	8 x 8	NOTE 1	1"x1"x1" EGG GRATE	NA	YES	.	

NOTES:
 1. PROVIDE PROPER BORDER AND MOUNTING OPTION THAT IS COMPATIBLE WITH THE ADJACENT SURFACE.
 2. PROVIDE " ADJUSTABLE PATTERN" TYPE IN SUPPLY FOR PHARMACY, OFFICE AND EMPLOYEE ROOM.
 3. IN PHARMACY, PROVIDE 2 AND 3 WAY BLOW DIFFUSERS AS SHOWN ON PLAN.
 4. DOUBLE DEFELECTION WITH HORIZONTAL BLADES
 5. AIR TERMINAL DEVICES SHALL BE ALL ALUMINUM WITH A WHITE FACTORY FINISH TO MATCH ADJACENT CEILING GRID.
 6. TOTAL STATIC PRESSURE DROP ACROSS AN AIR TERMINAL SHALL NOT EXCEED 0.20 IN. WC.
 7. ACCEPTABLE MANUFACTURERS: CARNES, KRUEGER, METALAIRE, NAILOR, PRICE, TITUS, TUTTLE AND BAILEY.
 8. DUCT INSULATION SHALL EXTEND DOWN OVER TOP AND SIDES OF ALL SUPPLY DIFFUSERS AND GRILLES.

LEGEND	
	SUPPLY OR TRANSFER AIR
	RETURN, EXHAUST OR TRANSFER AIR
	MANUAL DAMPER
	GAS WITH VALVE
	HUMIDISTAT OR RELATIVITY HUMIDITY SENSOR
	THERMOSTAT
	SENSOR FOR THERMOSTAT
	GAS METER
XXXX	CFM SUPPLY AIR
XXXXR	CFM RETURN AIR
XXXXE	CFM EXHAUST AIR
AC	AIR CURTAIN
CFH	CUBIC FEET PER MINUTE
CU	CONDENSING UNIT
EF	EXHAUST FAN
EH	ENTRANCE HEATER
EBH	ELECTRIC WALL HEATER
FD	FIRE DAMPER WITH ACCESS DOOR
SAD	SUPPLY AIR DIFFUSER
SAG	SUPPLY AIR GRILLE
SAR	SUPPLY AIR REGISTER
RAG	RETURN AIR GRILLE
TAG	TRANSFER AIR GRILLE
EAG	EXHAUST AIR GRILLE
RTU	ROOF TOP UNIT
UH	UNIT HEATER
UC	UNDERCUT

NO.	DATE	BY	DESCRIPTION	CONST
REVISIONS				
CERTIFICATION AND SEAL				
I HEREBY CERTIFY THAT THIS PLAN AND SPECIFICATION WAS PREPARED BY ME OR UNDER MY DIRECT SUPERVISION AND THAT I AM A DULY REGISTERED ARCHITECT OR ENGINEER UNDER THE LAWS OF THE STATE OF MAINE AS SIGNIFIED BY MY HAND AND SEAL.				
FISCAL 2007 CRITERIA - STORE #12326				
WALGREENS (NWC) WASHINGTON & ALLEN AVES. PORTLAND, MAINE				
DRAWING TITLE				
MECHANICAL DETAILS				
CADD PLOT:	SCALE: AS NOTED	DRAWING NO.		
VOID PLOT:	DRAWN BY: WAL	M2.1		
RELEASED TO CONSTRUCTION	DATE: 3-26-09			
	REVIEWED BY: SAM			