

DRAWINGS/SPECIFICATIONS BY:

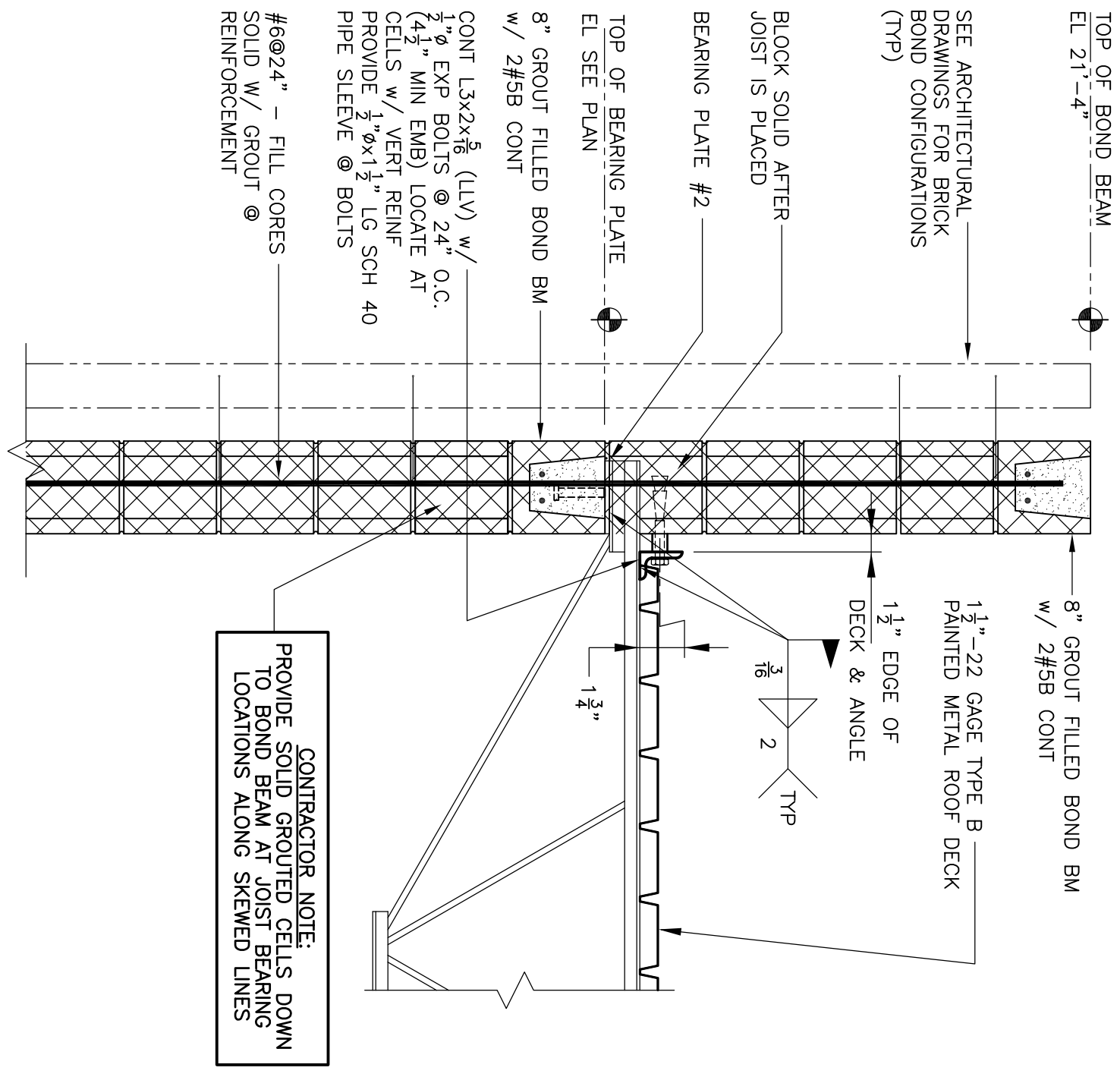
WALGREENS
 LANDLORDS CONSULTANT
 ALL CONSTRUCTION WORK, UNLESS NOTED OTHERWISE BY:
 WALGREENS' CONTRACTOR
 LANDLORDS CONTRACTOR (TURKEYE CONSTRUCTION)

| STORE | BUILDING |
|--|--|
| <input checked="" type="checkbox"/> NEW <input type="checkbox"/> REMODELING <input type="checkbox"/> RELOCATION <input type="checkbox"/> OTHERS | <input checked="" type="checkbox"/> NEW <input type="checkbox"/> EXISTING <input type="checkbox"/> NEW SHELL ONLY <input type="checkbox"/> OTHERS |

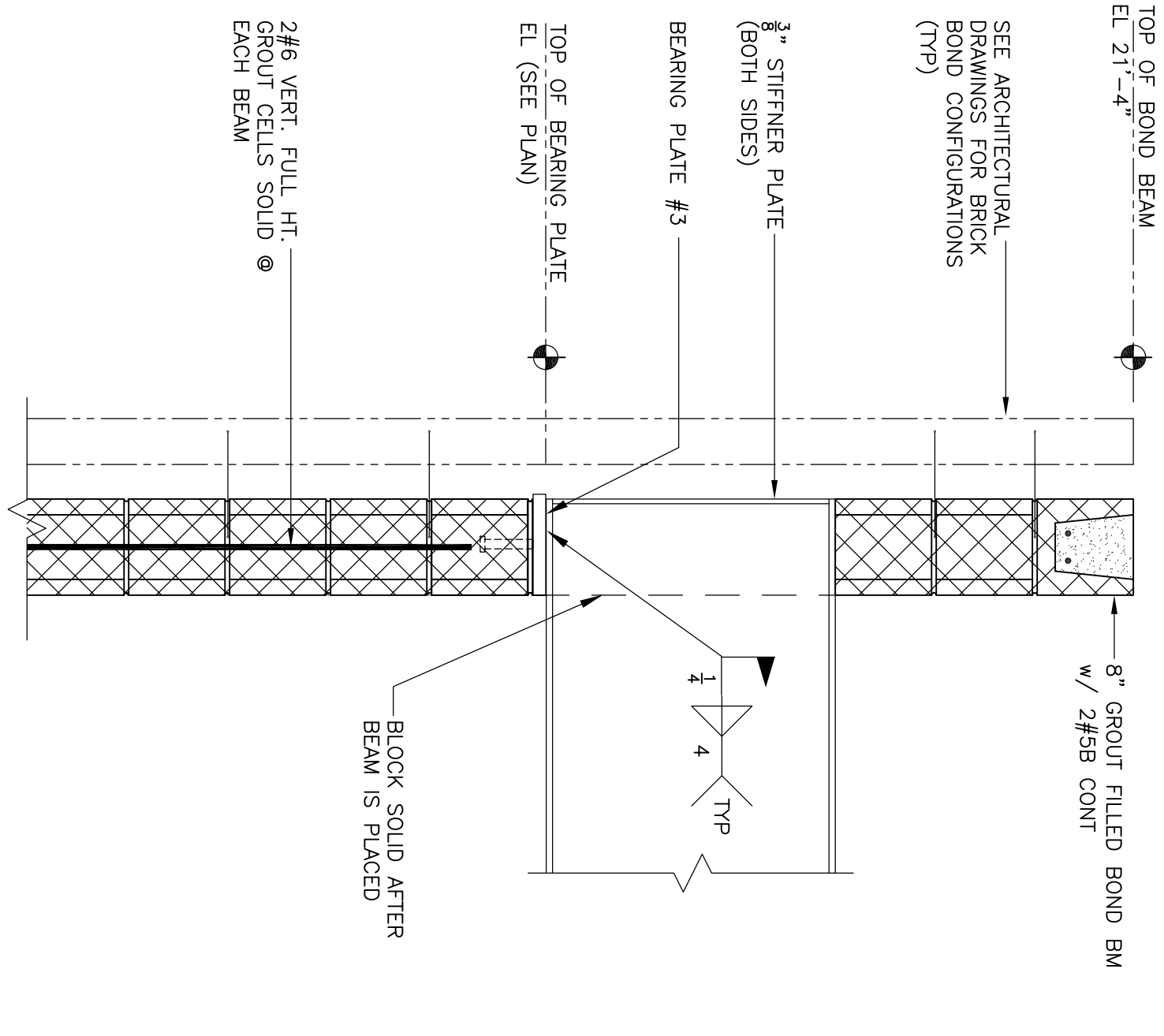
STRUCTURAL ENGINEER:
DWD ENGINEERING, INC.
 5 Michael Road
 E. Bridgewater, MA
 TEL. 508.378.9802
 FAX. 508.378.2922



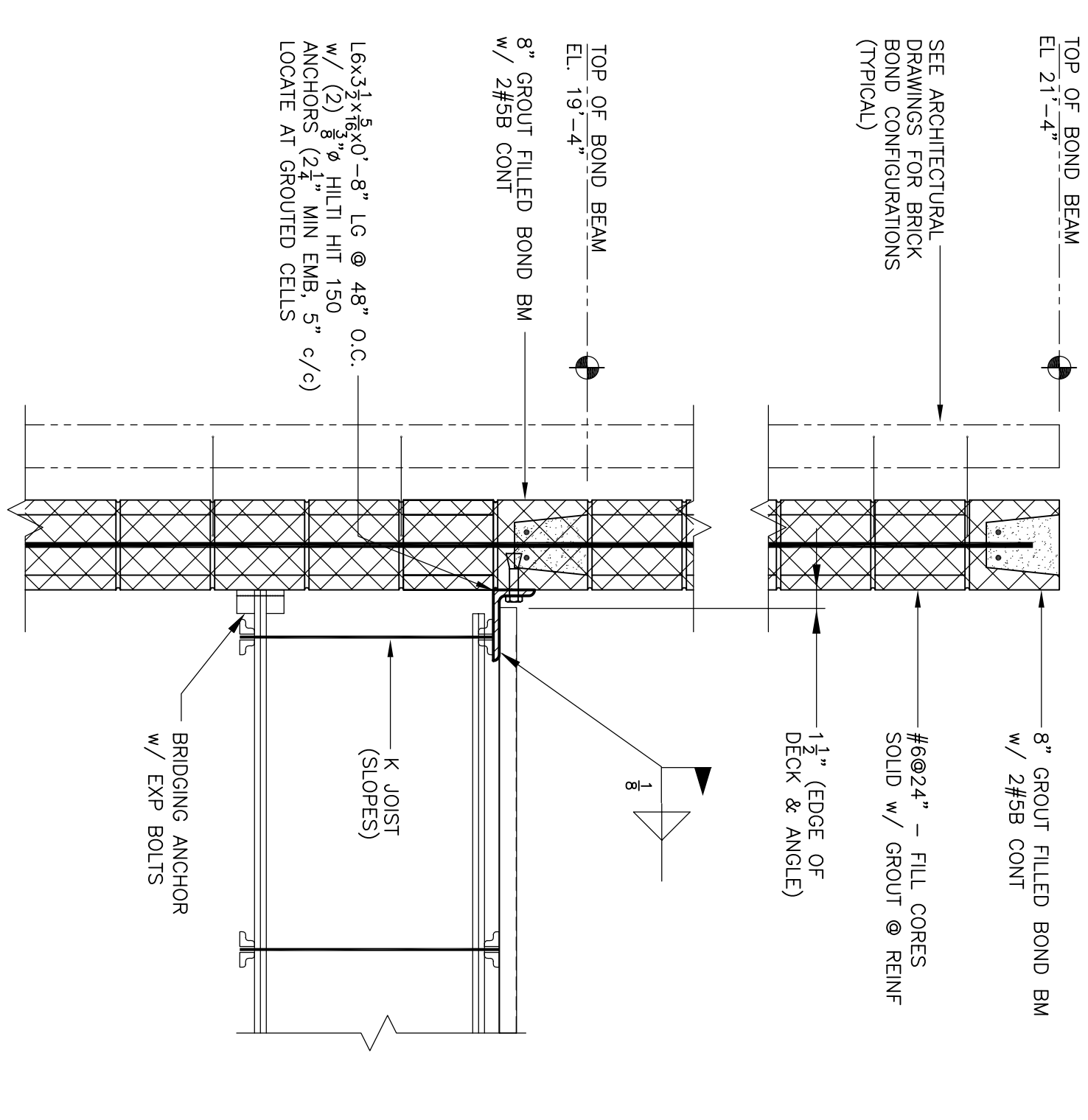
4 SECTION
 S2 SCALE: 1"=1'-0"



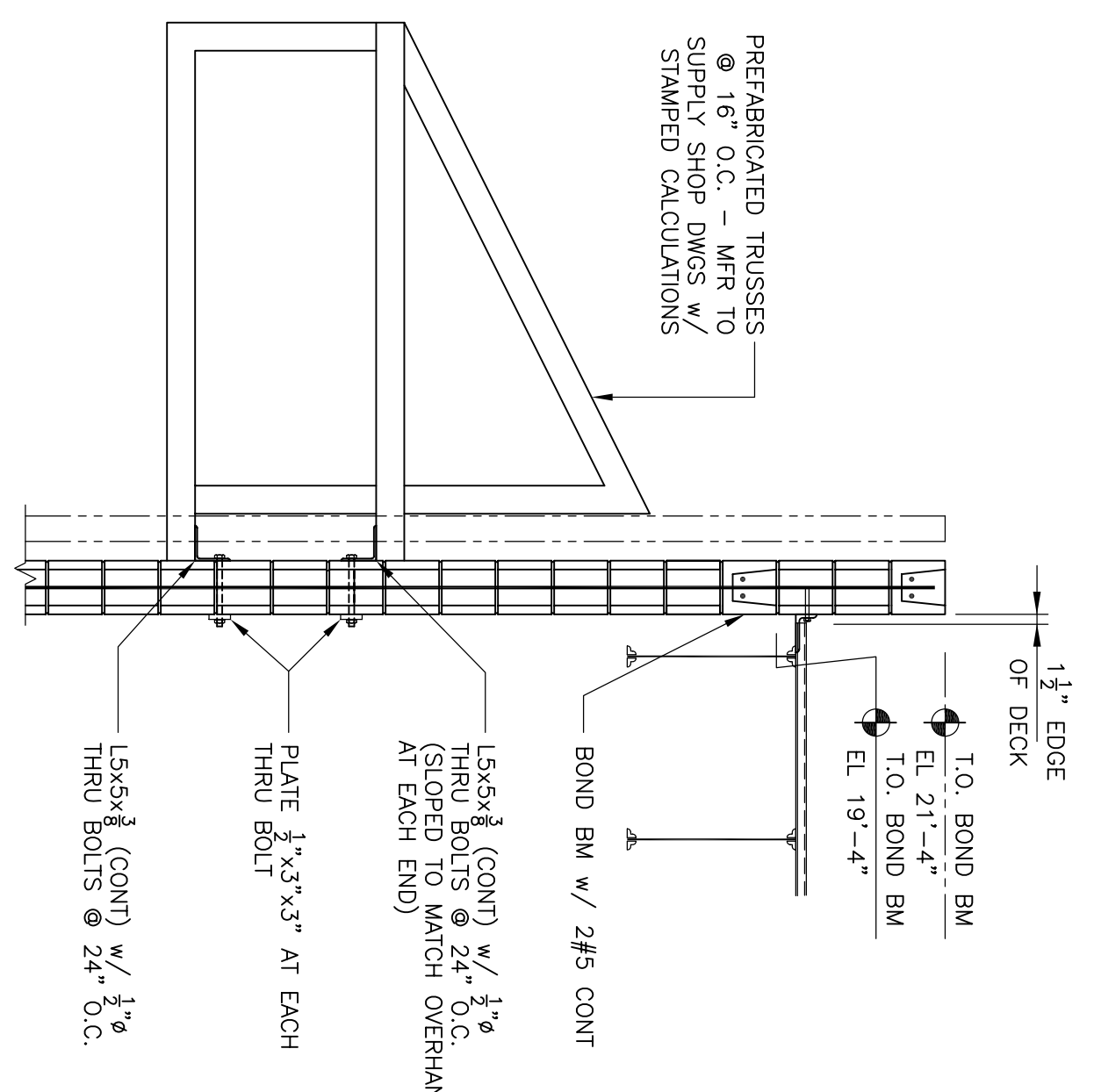
3 SECTION
 S2 SCALE: 1"=1'-0"



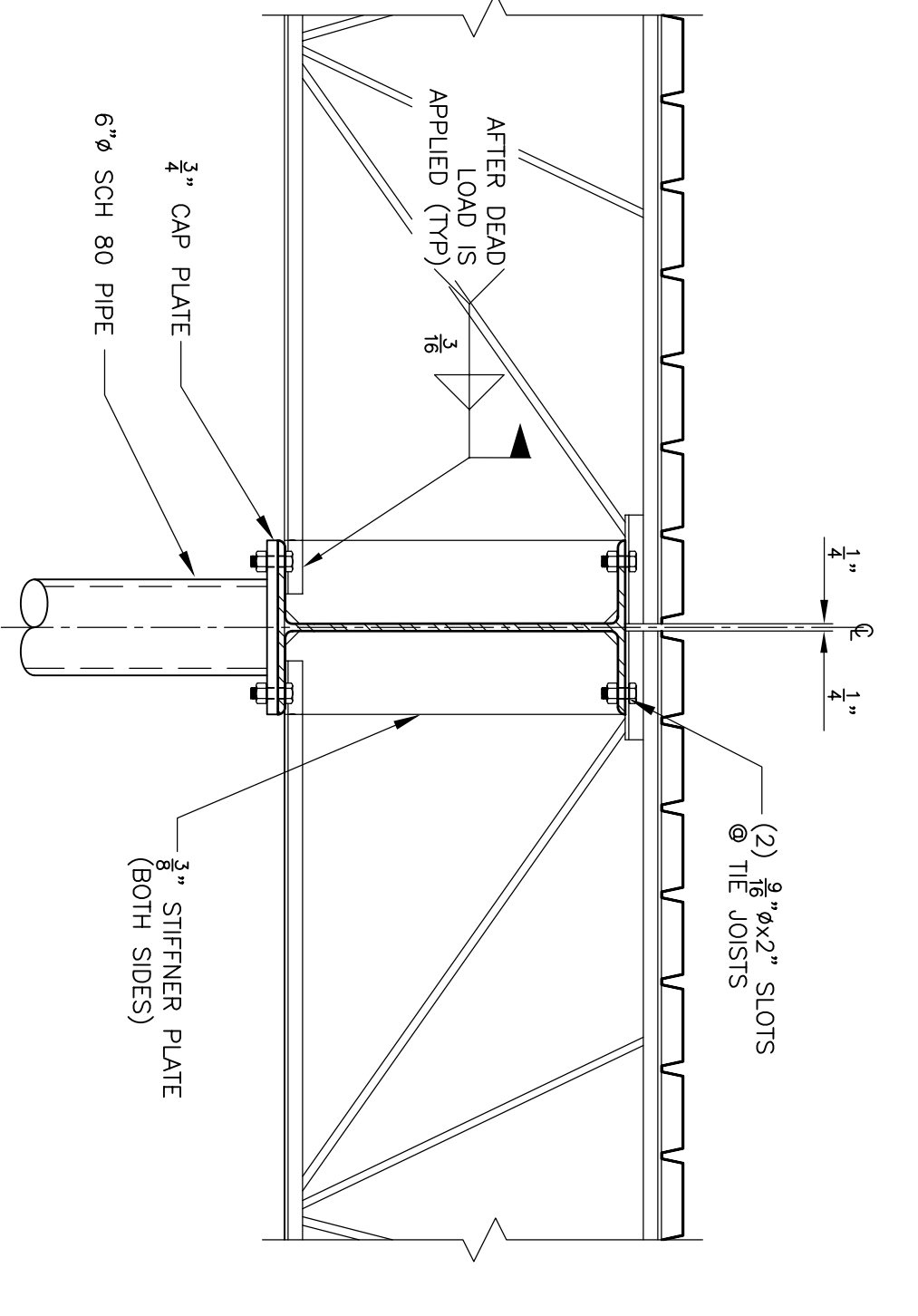
2 SECTION
 S2 SCALE: 1"=1'-0"



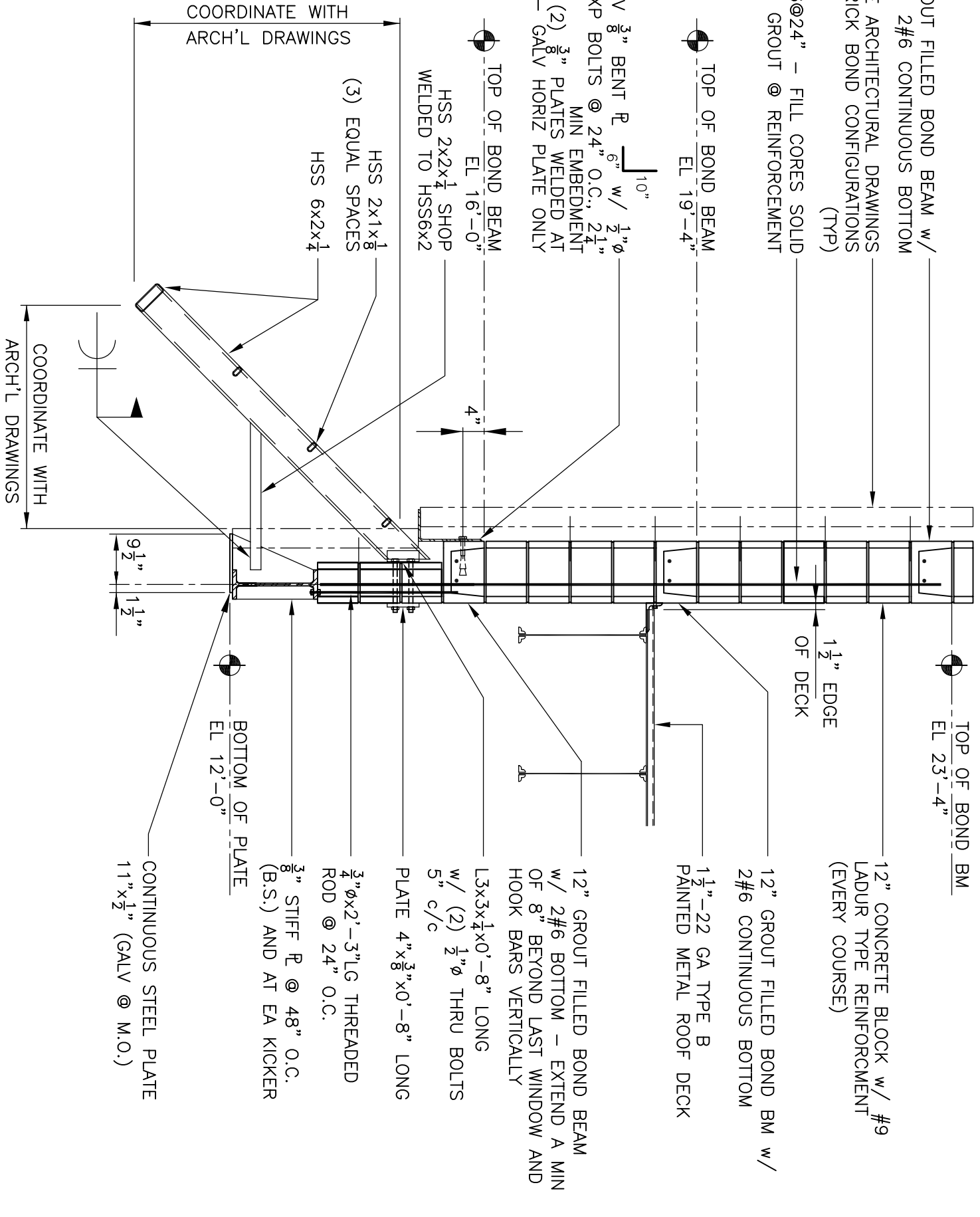
1 SECTION
 S2 SCALE: 1"=1'-0"



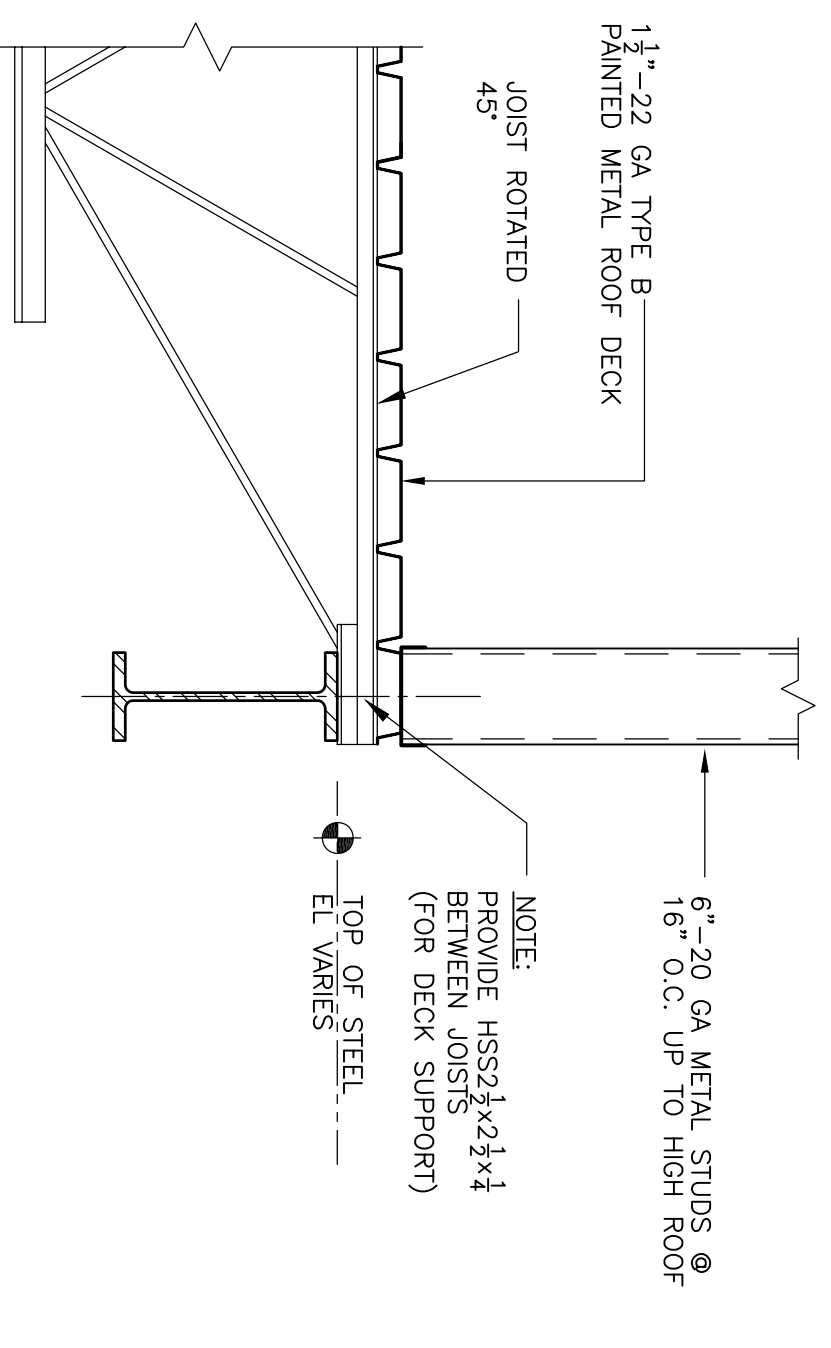
6 SECTION
 S2 SCALE: 1/2"=1'-0"



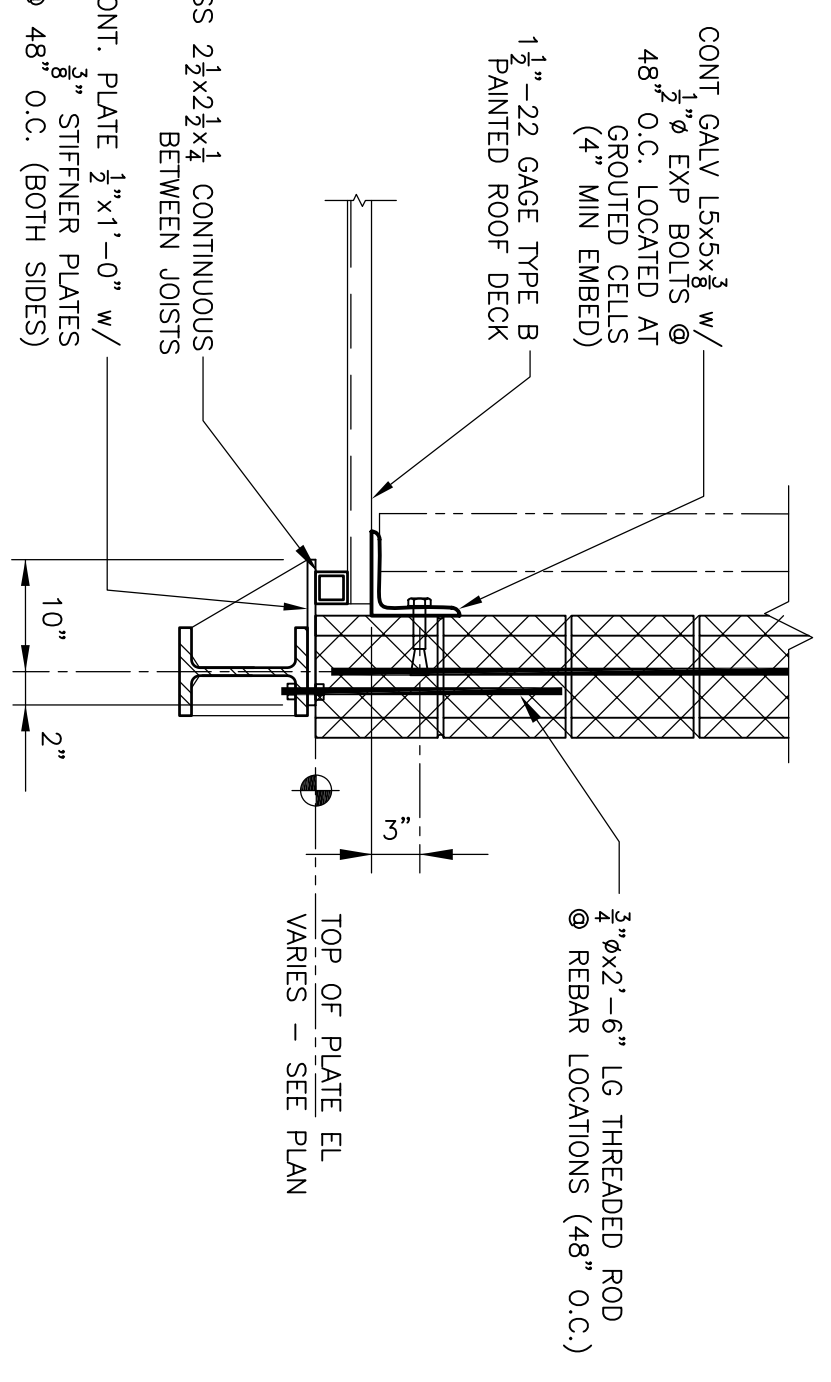
5 SECTION
 S3 SCALE: 1"=1'-0"



7 SECTION
 S2 SCALE: 1/2"=1'-0"



9 SECTION
 S2 SCALE: 1"=1'-0"



8 SECTION
 S2 SCALE: 1"=1'-0"

CERTIFICATION AND SEAL

| NO. | DATE | BY | DESCRIPTION | CONST |
|-----|------|----|-------------|-------|
| | | | | |

1. HEREBY CERTIFY THAT THE PLAN SPECIFICATION WAS PREPARED BY ME OR UNDER MY DIRECT SUPERVISION AND I AM A DULY REGISTERED ARCHITECT OR ENGINEER UNDER THE LAWS OF THE STATE OF MASSACHUSETTS AND SEAL.

FISCAL 2007 CRITERIA - STORE # 12325
 WALGREENS
 (NWC) WASHINGTON & ALLEN AVES.
 PORTLAND, MAINE

SECTIONS and DETAILS

| CADD PLOT: | SCALE: AS NOTED | DRAWING NO. |
|--------------------------|------------------|-------------|
| VOID PLOT: | DRAWN BY: RGC | S4 |
| RELEASED TO CONSTRUCTION | DATE: 03/30/09 | |
| | REVIEWED BY: DWD | |