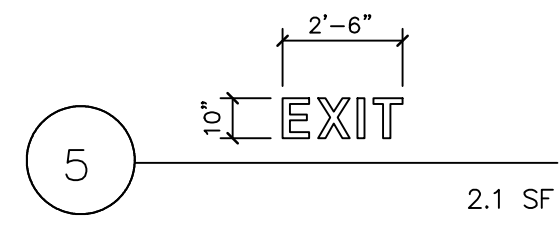
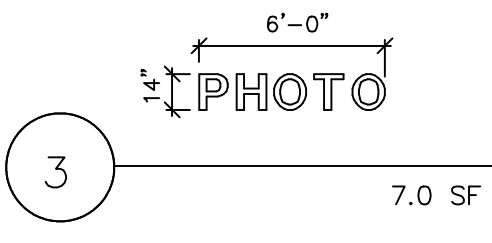
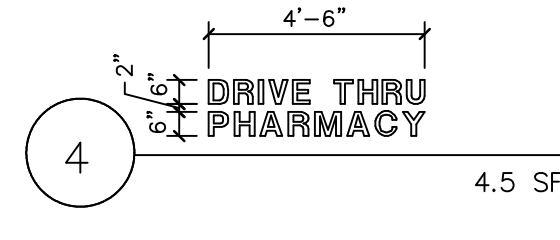
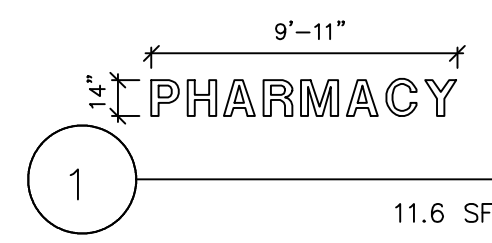


**CHANNEL LETTER L.E.D. SIGNS**

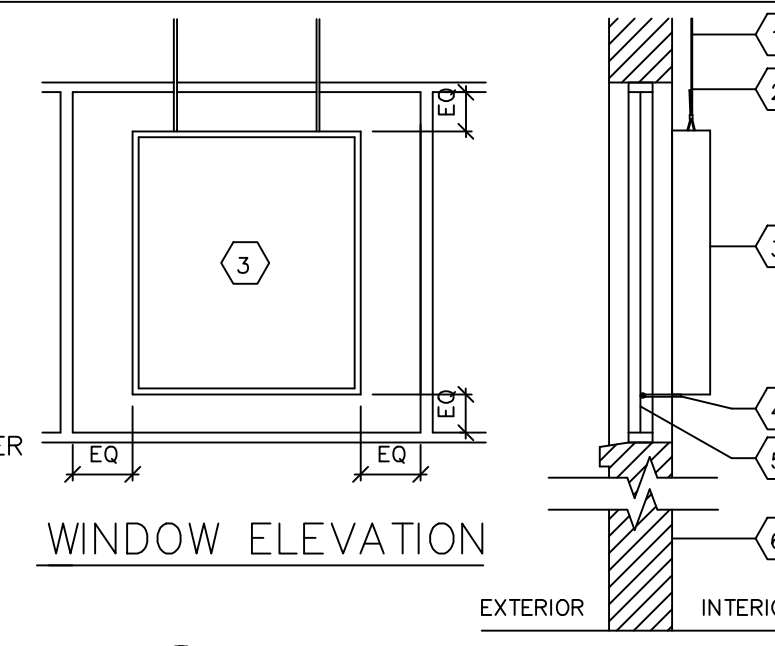
RED #2793 PLEXIGLAS FACE HELVETICA MEDIUM CHANNEL LETTERS. PRE-FINISHED METAL ALUMINUM FILLER. BACKS OF LETTERS .125 ALUMINUM PLATE. FOR ELECTRICAL DATA & DETAIL SEE ELECTRICAL DRAWINGS.

- BRONZE RETURNS W/ LIGHT BACKGROUND.
- WHITE RETURNS W/ DARK BACKGROUND.



**WINDOW SIGN INSTALLATION DETAILS**

- 1 ELECTRONIC POWER SUPPLY CABLE TO RUN CONCEALED BEHIND OR WITHIN WINDOW MULLIONS WHERE POSSIBLE.
- 2 STAINLESS STEEL SUSPENSION CABLE TO CEILING STRUCTURE AS UNOBTRUSIVELY AS POSSIBLE.
- 3 ILLUMINATED SIGN.
- 4 TRANSPARENT STAND-OFF BUM WITH RUBBER TIP AS REQUIRED.
- 5 WINDOW GLASS SURFACE.
- 6 WALL CONSTRUCTION.



**CLEARANCE SIGN**

**SIGN DATA:**

SIGN PANEL FROM .063\"/>



**MOESER & ASSOCIATES ARCHITECT**

206 AYER ROAD HARVARD, MA 978-456-6905

DRAWINGS/SPECIFICATIONS BY:  
 WALGREENS  
 LANDLORD'S CONSULTANT

ALL CONSTRUCTION WORK, UNLESS NOTED OTHERWISE, BY:  
 WALGREENS CONTRACTOR  
 LANDLORD'S CONTRACTOR (TURNKEY CONSTRUCTION)

STORE	BUILDING
NEW <input type="checkbox"/>	NEW <input checked="" type="checkbox"/>
REMODELING <input type="checkbox"/>	EXISTING <input type="checkbox"/>
RELOCATION <input type="checkbox"/>	NEW SHELL ONLY <input type="checkbox"/>
OTHERS <input type="checkbox"/>	

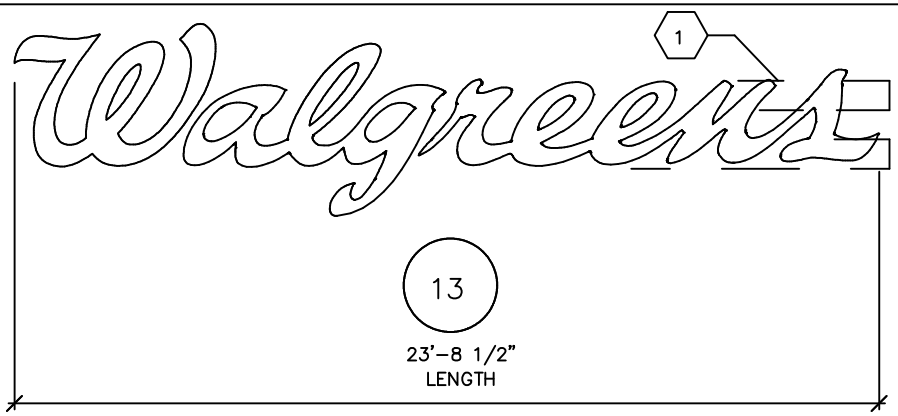
**WORK RESPONSIBILITY**

ALL EXTERIOR BUILDING SIGNS SHALL BE FURNISHED AND INSTALLED BY WALGREENS SIGN CONTRACTOR.  
 ALL OTHER RELATED WORK INCLUDING SIGN SUPPORTS AND ELECTRICAL POWER SUPPLY SHALL BE PER SIGN SPECIFICATIONS - THIS SHEET.  
 ALL FINAL CONNECTIONS MADE BY SIGN CONTRACTOR.

**NATIONAL ACCOUNTS**

**SIGN ASSEMBLY AND EXPEDITOR**  
 ICON-EAST COAST 800-355-3272  
**ELECTRONIC READERBOARD MANUFACTURER**  
 HI-TECH: ASSIGNED TO THE STATES OF CONNECTICUT, DELAWARE, DISTRICT OF COLUMBIA, MAINE, MARYLAND, MASSACHUSETTS, NEW HAMPSHIRE, NEW JERSEY, NEW YORK, PENNSYLVANIA, RHODE ISLAND, AND VERMONT.  
**LED ILLUMINATION FOR WALL LETTERS: SLOAN**

**CHANNEL LETTER L.E.D. SIGN DETAILS**



RED SCRIPT SIGN DATA

LENGTH	LOWER CASE LETTER	CAPITAL LETTER	TOP W BOTTOM	AREA SQUARE FEET	WEIGHT
25'-11 1/2"	W	W	9	80.71	147
23'-8 1/2"	G	G	9	67.33	126
21'-2 1/2"	R	R	5	53.88	105
18'-4 1/4"	N	N	4	40.35	83

**EXTERIOR SCRIPT SIGN KEYED NOTES**

- 1 SIGN SUPPORTS - GENERAL CONTRACTOR SHALL FURNISH & INSTALL SUPPORTS WHERE STUD TYPE FRAMING OCCURS. BACK SIDE OF WALL SHALL REMAIN OPEN UNTIL ALL ELECTRICAL & SIGN WORK IS COMPLETED. REFERENCE: SPECIFICATIONS ON THIS SHEET.
- 2 CONDUIT & HOUSING THRU WALL - SIGN CONTRACTOR SHALL BE RESPONSIBLE FOR LOCATION AND INSTALLATION THRU WALL. REFERENCE: SPECIFICATIONS ON THIS SHEET.
- 3 EXPANSION ANCHOR TOGGLE OR EPOXYED STUD TO ANCHOR BUILDING FACE.
- 4 .063 ALUMINUM FILLER - REFLECTIVE EXTERIOR (COLOR AS SPECIFIED BELOW) OF LETTER, AND REFLECTIVE WHITE INTERIOR.  
 ■ BRONZE RETURNS.  
 □ WHITE RETURNS.
- 5 3/16\"/>
- 6 RED FLAT TOP L.E.D. ILLUMINATION SEGMENT (TELEDYNE OR SLOAN PER REGION).
- 7 .125 ALUMINUM BACK.
- 8 2\"/>
- 9 TRIM CAP (1/8\"/>
- 10 SEE ARCHITECTURAL DRAWINGS FOR MATERIAL.
- 11 WELD-ON 40 AND RESIN BOND.
- 12 #8 S.S. FLAT HEAD SCREW.
- 13 PRE-DRILLED 3/8\"/>
- 14 JUNCTION BOX. SEE ELECT. DRAWINGS.

**AREA COMPUTATIONS FOR SCRIPT SIGNS**

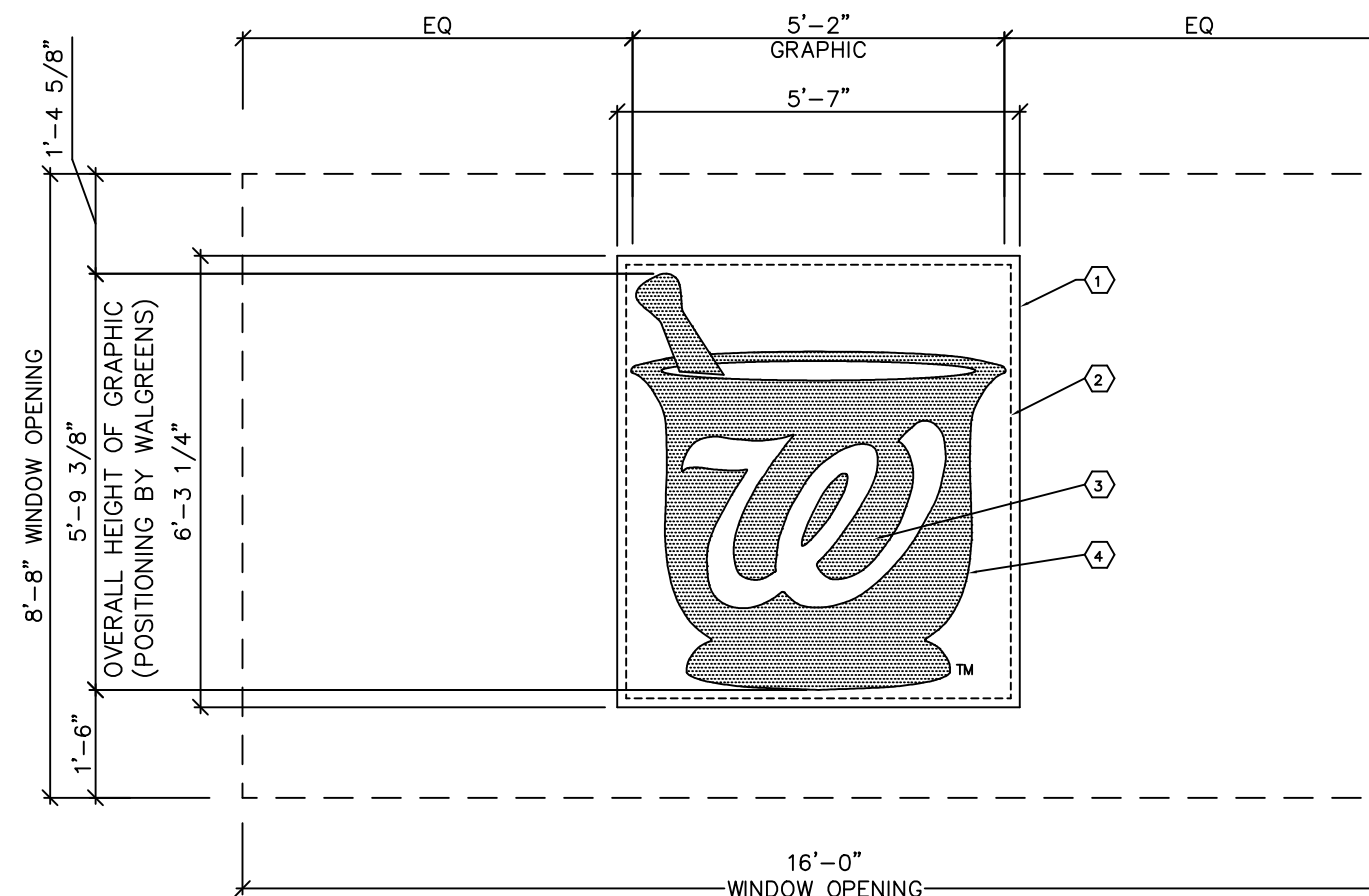
BOUNDARY	SIGN LENGTH	AREA (S.F.)	WEIGHT
25'-11 1/2"	25'-11 1/2"	80.71 S.F.	147
23'-8 1/2"	23'-8 1/2"	67.33 S.F.	126
21'-2 1/2"	21'-2 1/2"	53.88 S.F.	105
18'-4 1/4"	18'-4 1/4"	40.35 S.F.	83

TYPICAL SECTION THRU SIGN  
 SCALE: 3\"/>

**SIGN SPECIFICATION**

1. GENERAL CONTRACTOR SHALL:
  - A. THIS CONTRACTOR SHALL COORDINATE ALL WORK. NOTIFY ELECTRICAL CONTRACTOR & SIGN CONTRACTOR AS SOON AS POSSIBLE AFTER THE SIGN WALL OR STRUCTURE IS IN PLACE. GENERAL CONTRACTOR SHALL NOT CLOSE UP THE BACK SIDE OF WALL UNTIL ELECTRICAL CONTRACTOR & SIGN CONTRACTOR HAVE COMPLETED THEIR WORK.
  - B. CONCEALED SIGN SUPPORTS: GENERAL CONTRACTOR SHALL PROVIDE CONCEALED CONTINUOUS WOLMANIZED STRUCTURAL GRADE WOOD SIGN SUPPORTS WHERE STUD OR RAFTER TYPE FRAMING OCCURS.
    1. WHERE SCRIPT SIGNS ARE SHOWN, PROVIDE 2 CONCEALED 2 X 6 MEMBERS AT TOP AND BOTTOM OF SCRIPT FOR ALL SIGNS UP TO 20'-8 3/4\"/>
    2. N/A.
    3. WHERE INDIVIDUAL LETTER SIGNS ARE SHOWN, PROVIDE 2 CONCEALED 2 X 6 MEMBERS TOP AND BOTTOM OF SIGNS.
2. ELECTRICAL CONTRACTOR:
 

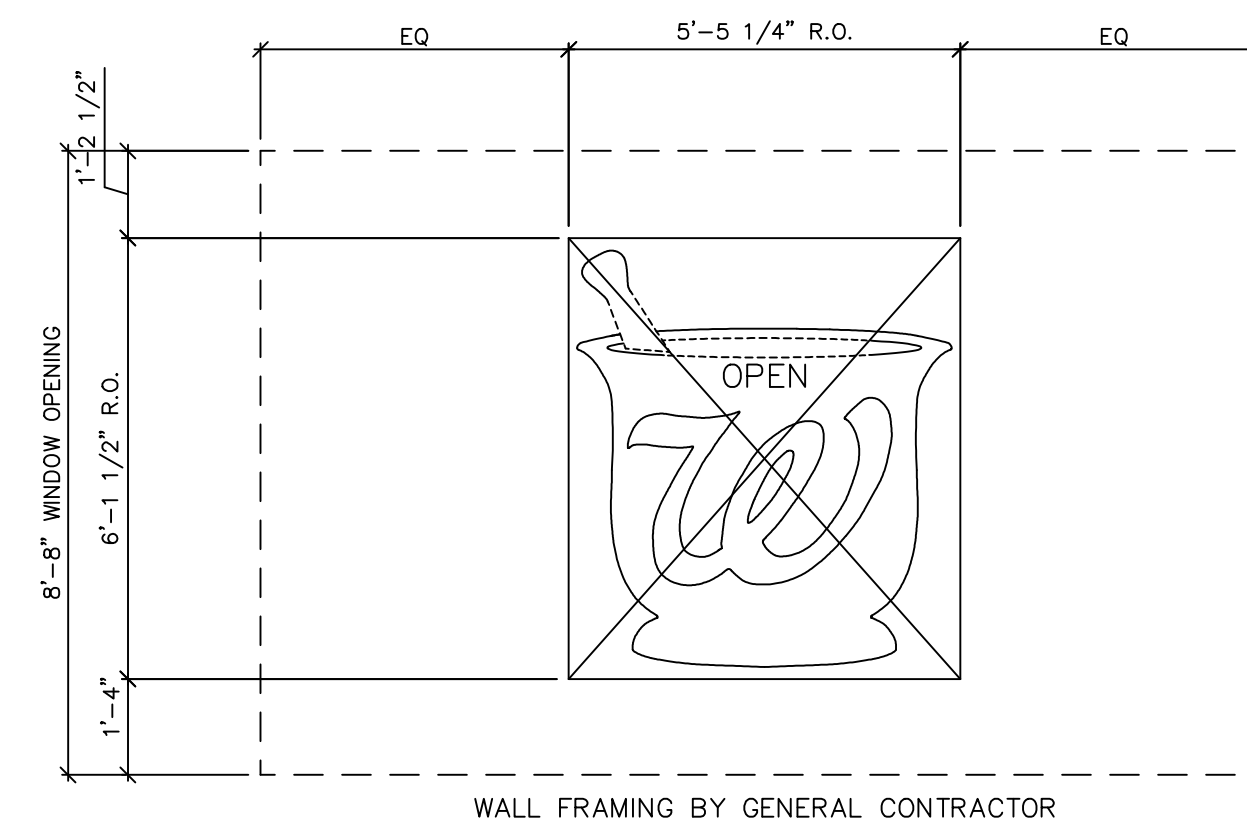
THIS CONTRACTOR SHALL PROVIDE ONE MAIN ELECTRIC SERVICE PANEL AND FEEDS TO THE BACK SIDE OF SIGN WALL. ELECTRICAL CONTRACTOR SHALL PROVIDE CONDUIT, FEED AND JUNCTION BOXES ALONG BACK SIDE OF SIGN WALL. PROVIDE JUNCTION BOXES FOR EACH LOCATION APPROXIMATELY WHERE SIGN CONTRACTOR WILL PROVIDE CONDUIT HOUSING THROUGH WALL. PROVIDE ELECTRIC SERVICE CAPACITIES AND CIRCUITS AS SHOWN ON ELECTRICAL DRAWINGS.
3. SIGN CONTRACTOR:
  - A. FOLLOW DRAWINGS & SPECIFICATIONS OF SIGNS AND USE TEMPLATES OF APPROVED DIMENSIONS, CONTOURS, SHAPES AND WITH ELECTRICAL COMPONENTS & CAPACITIES AS SPECIFIED.
  - B. SIGN CONTRACTOR SHALL FURNISH FOUR SETS OF SHOP DRAWINGS TO WALGREENS FACILITIES PLANNING DEPARTMENT FOR REVIEW AND APPROVAL PRIOR TO FABRICATION.
  - C. SIGN CONTRACTOR SHALL CONSTRUCT SIGN IN COMPLIANCE WITH ALL APPLICABLE CODES AND ORDINANCES, AND ACCORDING TO UNDERWRITERS LABORATORIES SPECIFICATIONS AND TO BEAR U.L. LABELS. SIGN CONTRACTOR SHALL OBTAIN ALL STATE AND MUNICIPAL PERMITS NECESSARY TO INSTALL SIGN(S).
  4. SIGN INSTALLATION AT BUILDING FACE WORK BY SIGN CONTRACTOR:
    - A. SIGN CONTRACTOR SHALL ESTABLISH CENTER LINE OF SIGN WALL. MEASURE LOCATION OF EACH ELECTRIC LEAD FROM THE CENTER OUTWARD. PROVIDE 1/2\"/>
    - B. SIGN CONTRACTOR SHALL PROVIDE A DISCONNECT SWITCH ON EXTERIOR OF SIGN FOR EACH CIRCUIT TO COMPLY WITH STATE AND LOCAL CODES. EACH SIGN SHALL BE ACTIVATED BY APPROVED PHOTO CELL AND TIME SWITCH WITH MANUAL OVERRIDE SWITCH. ELECTRICAL CONTRACTOR TO FURNISH PHOTO CELL, TIME SWITCH, AND MANUAL OVERRIDE SWITCH.



- 1 ALUMINUM PLATE PAINTED TO MATCH BENJAMIN MOORE "DECORATOR'S WHITE".
- 2 FLUORESCENT TUBE HOUSING RECESSED WITHIN WALL.
- 3 ROHM & HAAS #7328 WHITE IMPACT RESISTANT DR ACRYLIC MORTAR & PESTLE TO BE FORMATTED WITH 3M #3630-53 "CARDINAL RED" SURFACE APPLIED VINYL FILM; INNER SURFACE OF MORTAR AND SCRIPT 'W' TO REMAIN WHITE.
- 4 MORTAR & PESTLE SILHOUETTE TO BE ROUTED FROM ALUMINUM PLATE.

NOTE: MANUFACTURE AND INSTALL ENTRY WAY WALL GRAPHICS FOR ENTRANCE TOWER. BACKGROUND WALL TO BE PAINTED BENJAMIN MOORE "DECORATOR'S WHITE". ALL PER SKETCH TO BE APPROVED BEFORE CONSTRUCTION.

ENTRANCE TOWER DETAIL  
 NTS



WALL OPENING LAYOUT  
 NTS

\*SIGN PLACEMENT IS BASED ON WINDOW HEIGHT. IF ROUGH WINDOW OPENING HEIGHT DOES NOT MATCH DIMENSION SHOWN, CONTACT WALGREENS FOR CORRECT PLACEMENT.

10 ENTRANCE TOWER SIGN DETAILS

NO.	DATE	BY	DESCRIPTION	CONST
REVISIONS				

**CERTIFICATION AND SEAL**

I HEREBY CERTIFY THAT THIS PLAN AND SPECIFICATION WAS PREPARED BY ME OR UNDER MY DIRECT SUPERVISION AND THAT I AM A DULY REGISTERED ARCHITECT OR ENGINEER UNDER THE LAWS OF THE STATE OF MAINE AS SIGNIFIED BY MY HAND AND SEAL.

**FISCAL 2007 CRITERIA - STORE #12326**

WALGREENS  
 (NWC) WASHINGTON & ALLEN AVES.  
 PORTLAND, MAINE

**EXTERIOR SIGN ELEVATIONS**

CADD PLOT: _____	SCALE: AS NOTED	DRAWING NO. _____
VOID PLOT: _____	DRAWN BY: TD	<b>A5.2</b>
RELEASED TO CONSTRUCTION _____	DATE: 3-26-09	
	REVIEWED BY: SAM	